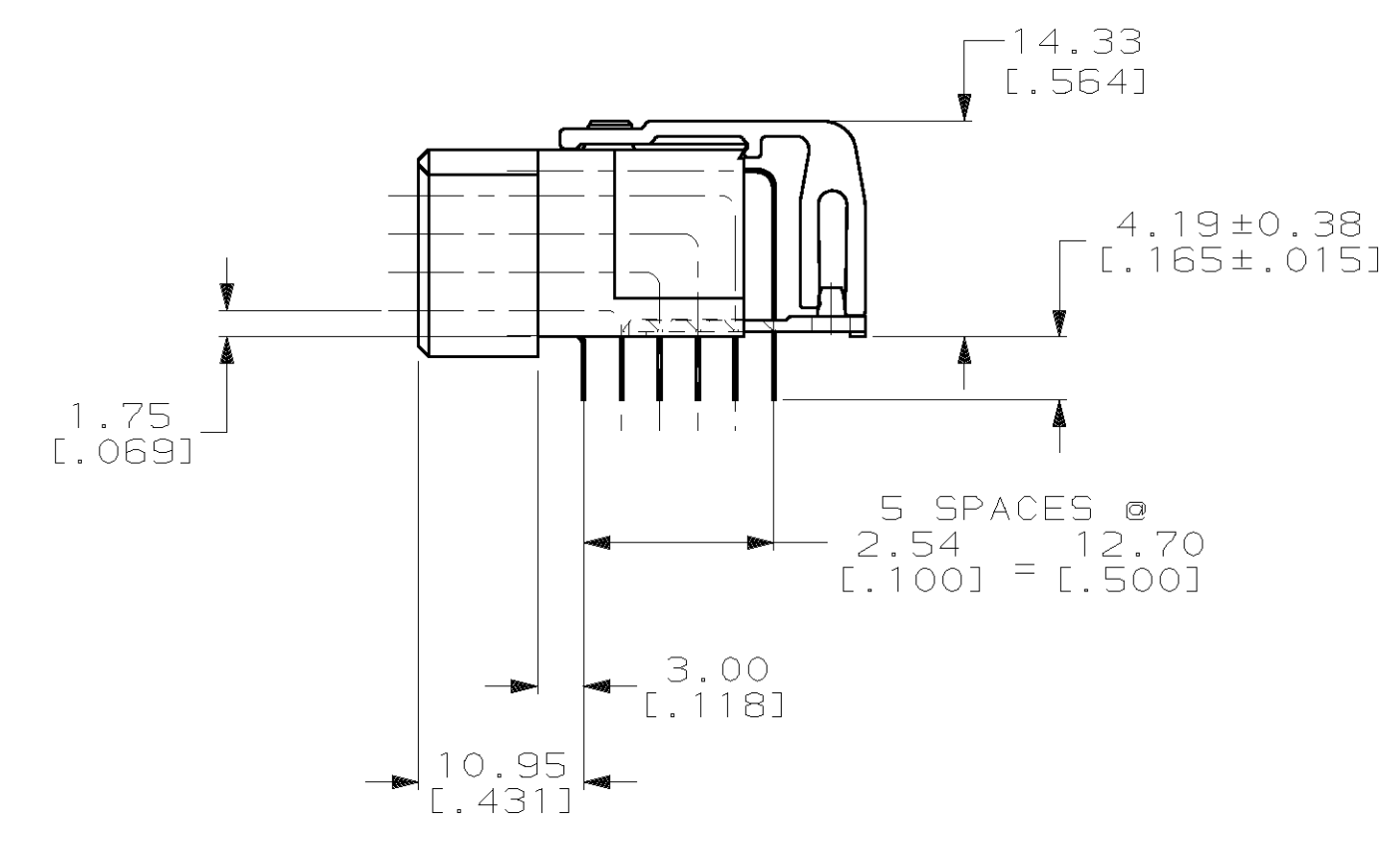
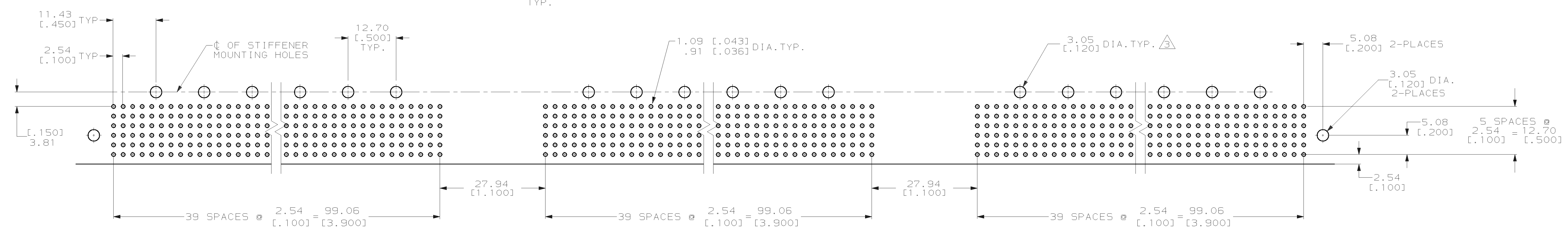
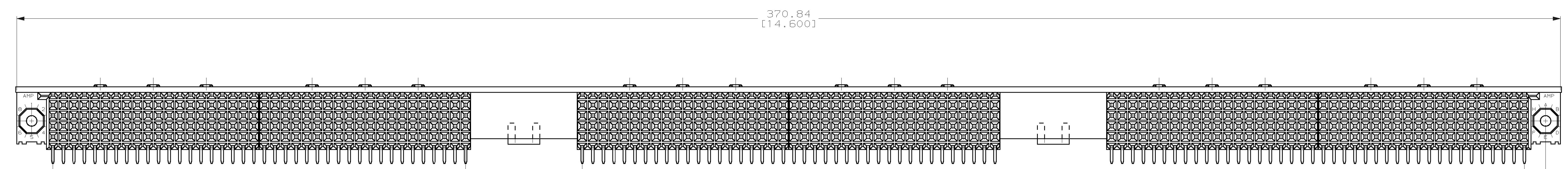
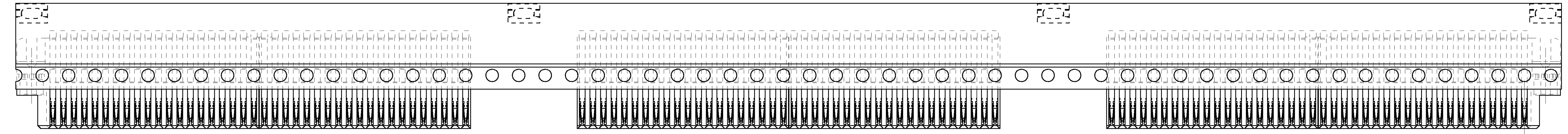


REV. NO.		DATE		DESCRIPTION		DATE	APPD.
0		07-22-92	DLH	REL. PER NPR 92-5620-015-1			
A		01-20-93	RL	REV. PER ECN. 0527-92			
B		7/9/93	NFS	REV. PER ECN. 0010-0888-93			
C		10/14/93	DLH	REV. PER ECN. 0010-1478-93			
D		6-9-95	WLM	EC 1811-94 SH			
E		7-18-95	DLH	EC 0943-95 SH			
F		01 JUN 99	WM	REV PER EC 0622-0109-99			
G		25 JAN 01	WM	REV PER EC 001B-0015-01			



- ⚠ MATERIAL; HOUSING-GLASS FILLED POLYESTER, COLOR-BLACK  
CONTACT-COPPER ALLOY  
STIFFENER-ALUMINUM
- ⚠ FINISH: .000050 MIN THICK NICKEL UNDERPLATE ALL OVER WITH .000030 MIN GOLD ON CONTACT MATING AREAS, TIN LEAD ON TAILS.
- ⚠ RECOMMENDED MOUNTING SCREW IS A BINDING HEAD #2 THREAD FORMING TYPE AB THREADS; STAINLESS STEEL. MAXIMUM SPACING OF 38.10 [1.500] INCHES.



RECOMMENDED PC BOARD LAYOUT

536374-1 AS SHOWN

DO NOT SCALE PRINT. UNLESS SPECIFIED DIMENSIONS IN INCHES TOLERANCES ON: 2 PLC DEC ± 3 PLC DEC ± ANGLES ±		DR 06-02-92 R.LEE CHK 07-27-92 D.HOFFMAN APPD 07-27-92 D.HOFFMAN APPD 07-27-92 D.HOFFMAN		PART NO	
MATERIAL ⚠		PRODUCT SPEC -		AMP Incorporated Harrisburg, PA 17105-3508	
FINISH ⚠		APPLICATION SPEC -		NAME RECEPTACLE ASSEMBLY, TBC PLUS, MODULAR 720 POSITION	
WEIGHT -		SIZE D	CAGE CODE 00779	DRAWING NO 536374	SHEET 1 OF 1