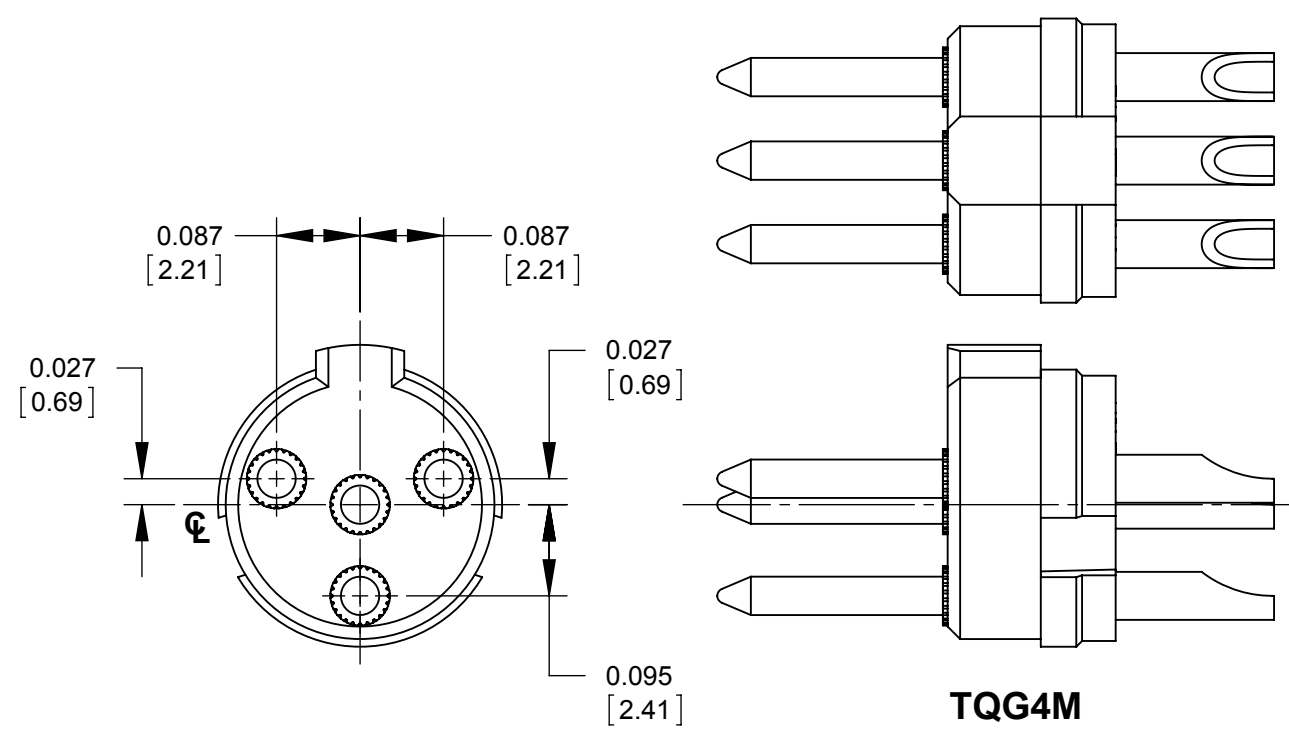
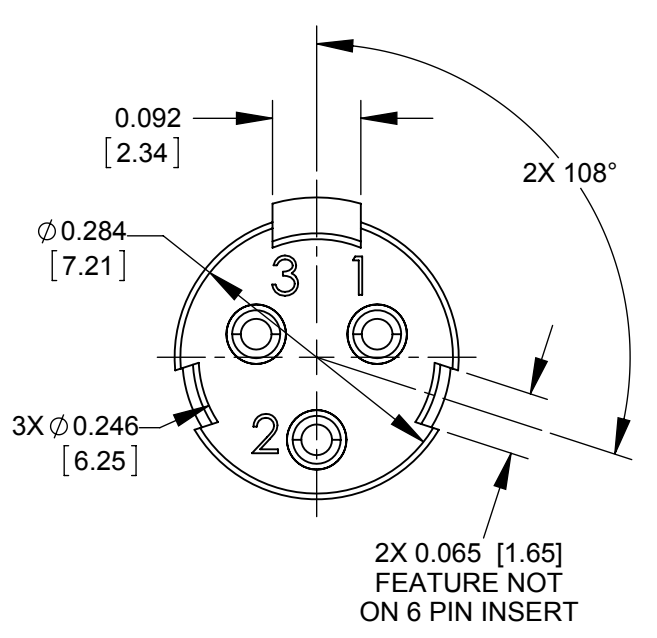
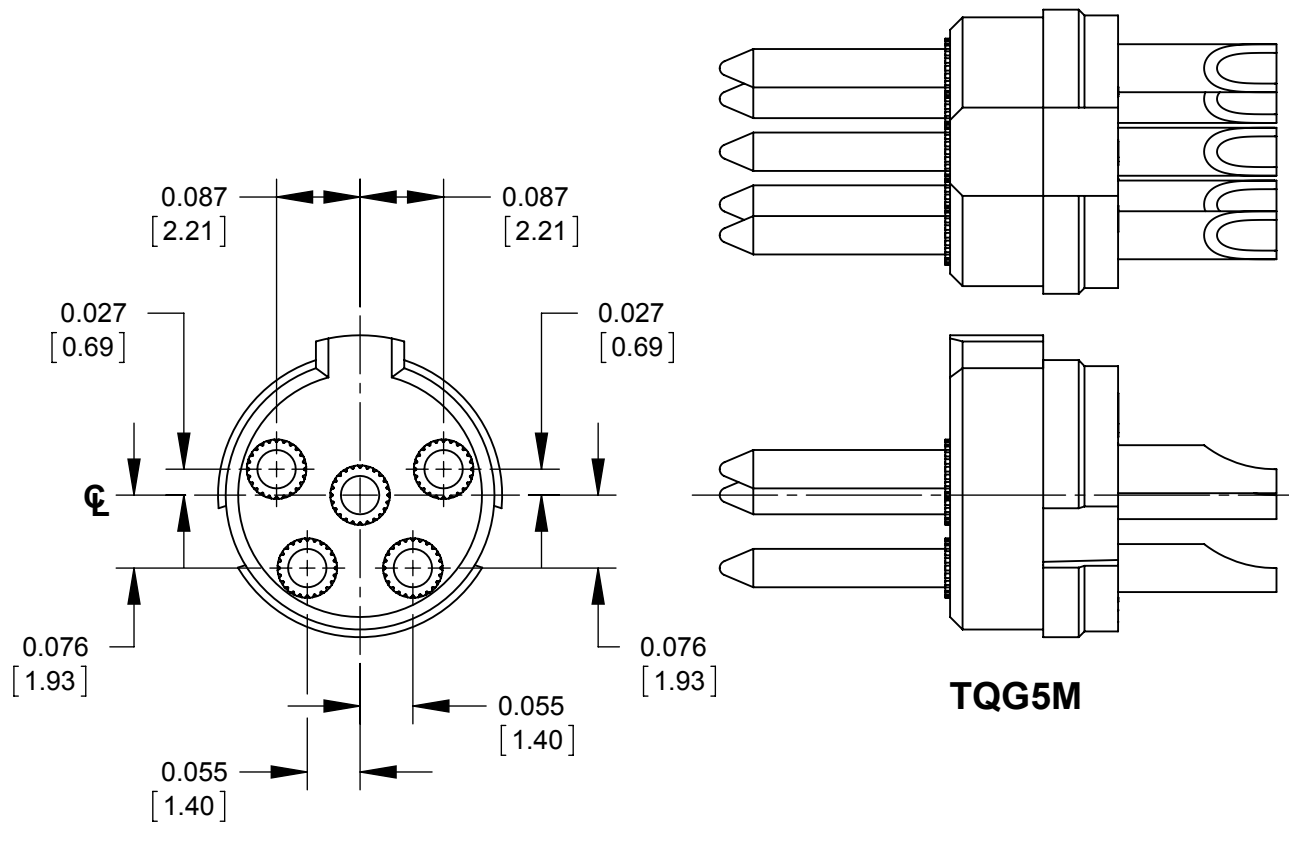
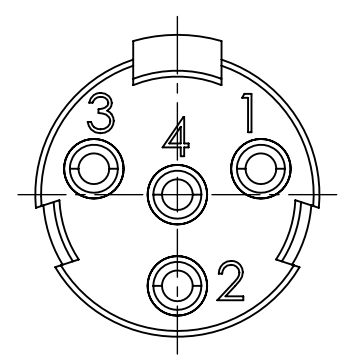


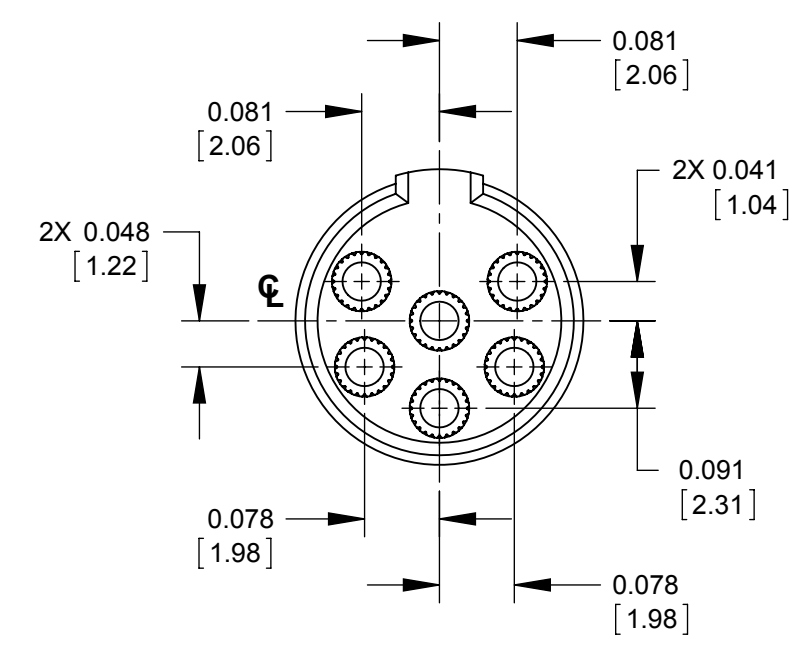
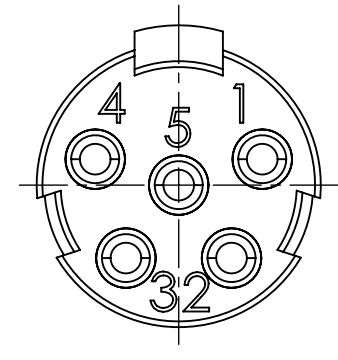
TQG3M



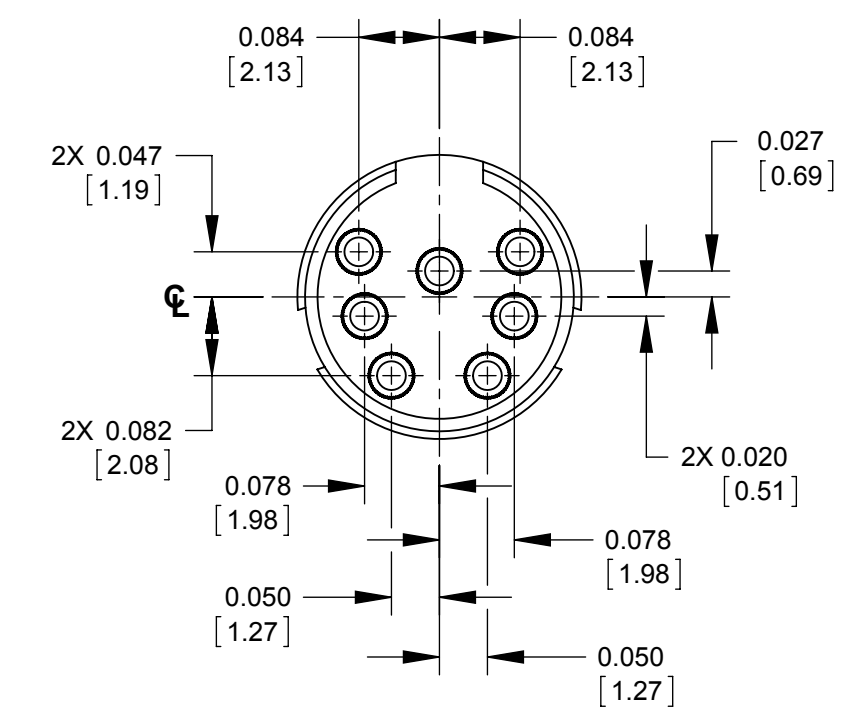
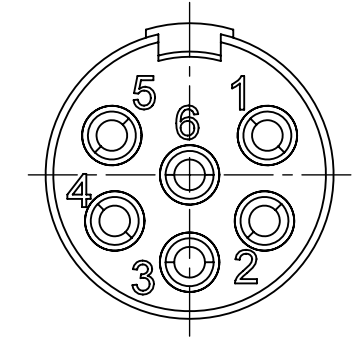
TQG4M



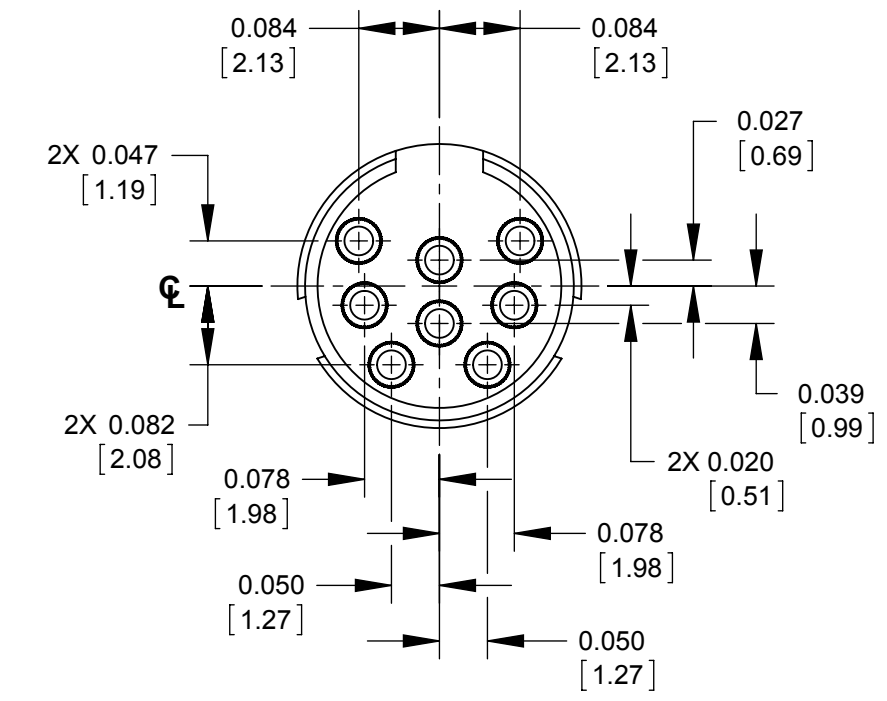
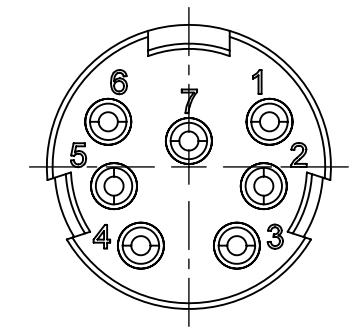
TQG5M



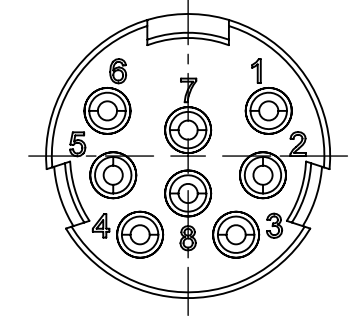
TQG6M



TQG7M



TQG8M



- NOTES:**
1. ALL DIMENSIONS ARE FOR REFERENCE ONLY.
 2. MATERIALS:
CONTACTS - COPPER ALLOY, SILVER PLATED
ADD "AU" SUFFIX FOR GOLD PLATED CONTACTS
INSERT - THERMOPLASTIC, DARK BROWN
 3. THESE PRODUCTS ARE RoHS COMPLIANT.

CUSTOMER DRAWING

UNLESS OTHERWISE SPECIFIED				THIS DRAWING DESCRIBES A DESIGN CONSIDERED PROPRIETARY IN NATURE, DEVELOPED AND MANUFACTURED BY SWITCHCRAFT INC. AND IS RELEASED ON A CONFIDENTIAL BASIS FOR IDENTIFICATION PURPOSES ONLY.					
1. ALL DIMENSIONS IN INCHES [mm]				SIZE	WIDTH	MULT	LBS/M	TEMPER	
- TWO PLACE DECIMALS ±0.02 [0.5]				FINISH		MATERIAL			
- THREE PLACE DECIMALS ±0.005 [0.13]				SPEC No.		SPEC No.			
				FIRST USED ON		SCALE			
				5:1					
J	REDRAWN 27333	07/25/14	PC	TJK	DATE DRAWN	BY	CHKD	APVD	
					08/08/94	WJS	WJS	GHJ	
							09/08/94	09/08/94	
REVISIONS				NAME				PART No.	REV
DO NOT SCALE DRAWING				TINI QG MALE INSERT, RoHS				TQG_M SERIES	J