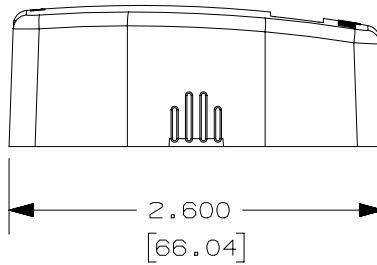
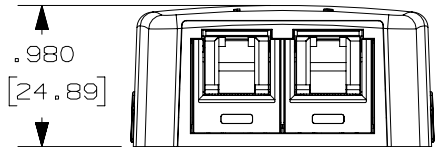
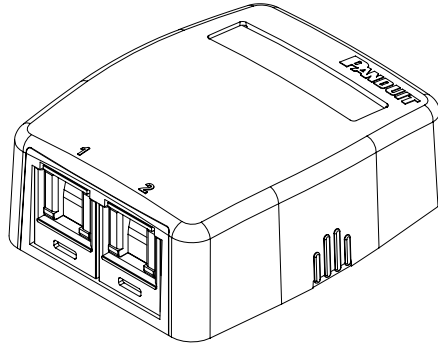
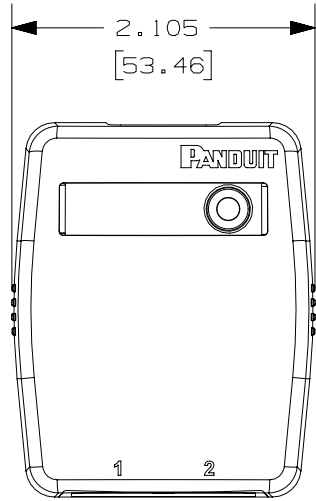


THIS COPY IS PROVIDED ON A RESTRICTED BASIS AND IS NOT TO BE USED IN ANY WAY DETRIMENTAL TO THE INTERESTS OF PANDUIT CORP.



PANDUIT P/N	WEIGHT
JQQ2H600	.87 LB/10 PCS
JQQ2H600BL	394.6 g/10 PCS

NOTES:

- SEE CURRENT CATALOG FOR ADDITIONAL PART NUMBER SUFFIXES TO INDICATE COLOR AND/OR PACKAGE QUANTITY.
- SEE CATALOG FOR A COMPLETE LIST OF PARTS APPLICABLE FOR USE WITH THIS PART.
- DIMENSIONS IN PARENTHESES ARE IN METRIC.
- BREAKOUTS DESIGNED TO ACCEPT LD3/LDPH3 and LD5/LDPH5 RACEWAY.
- INCLUDED WITH BOX KIT:
 - (1) BOX COVER
 - (1) BOX BASE
 - (1) PLT1M PAN-TY
 - (1) LABEL AND LABEL COVER
 - (1) SCREW (USED TO SECURE COVER TO BASE)
 - (1) MAGNET (ATTACHED)
 - (2) CJH688TG SHUTTERED JACK

PART NUMBER		SEE TABLE											
TITLE													
MINI-COM 2 PORT SHUTTERED CAT 6 SURFACE MOUNT BOX KIT CUSTOMER DRAWING													
ITEM REVISION NAME		15M583CI/13											
DATASET FILE NAME		15M583CI_DC04/13A											
UNLESS OTHERWISE SPECIFIED, DIMENSIONAL TOLERANCES ARE: IN (mm)													
.X ±				.XXX ±									
.XX ±				ANGLES ±									
DRAWN BY		DATE		CHK		SCALE		DRAWING NUMBER:					
BJN		4-5-16		JCO		NONE		15M583CI-04					
REV		DATE		BY		CHK		APR		DESCRIPTION		ECN	
1		8-09-16		MDJR		JCO		MMR		UPDATED CAD MODEL		15M583CI-04	
R		4-11-16		BJN		JCO		MMR		RELEASED TO PRODUCTION		15M583CI-04	
SHT 1 OF 2		A											

D101000DA/14

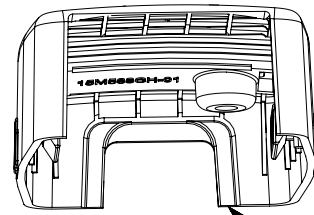
2

1

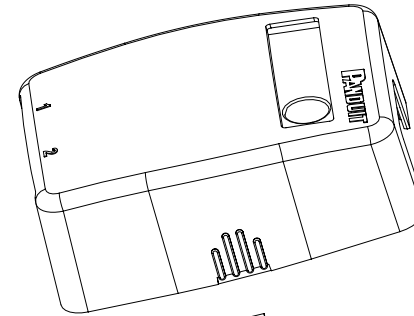
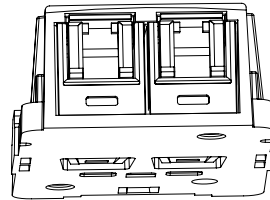
2

1

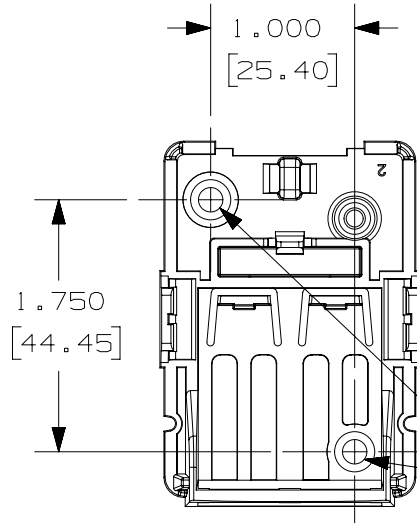
THIS COPY IS PROVIDED ON A RESTRICTED BASIS AND IS NOT TO BE USED IN ANY WAY DETRIMENTAL TO THE INTERESTS OF PANDUIT CORP.



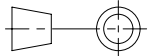
BREAKOUT AREA



PAN-TY LOOP FOR CABLE HOLD-DOWN



MOUNTING HOLES FOR #6 COUNTERSUNK SCREW (NOT INCLUDED)

PART NUMBER		SEE TABLE	
TITLE			
MINI-COM 2 PORT SHUTTERED CAT 6 SURFACE MOUNT BOX KIT			
CUSTOMER DRAWING			
ITEM REVISION NAME		15M583CI/13	
DATASET FILE NAME		15M583CI_DC04/13A	
UNLESS OTHERWISE SPECIFIED, DIMENSIONAL TOLERANCES ARE: IN (mm)		MATERIAL:	
.X ± .XX ±		.XXX ± ANGLES ±	
		THIRD ANGLE PROJECTION	
DRAWN BY		DATE	
BJN		4-5-16	
CHK		SCALE	
JCO		NONE	
DRAWING NUMBER:			SIZE
15M583CI-04			A
SHT 2 OF 2			

REV	DATE	BY	CHK	APR	DESCRIPTION	ECN
1	8-09-16	MDJR	JCO	MMR	SEE SHEET 1 FOR REVISION HISTORY	15M583CI-04
R	4-11-16	BJN	JCO	MMR	SEE SHEET 1 FOR REVISION HISTORY	15M583CI-04

D10100DA/14