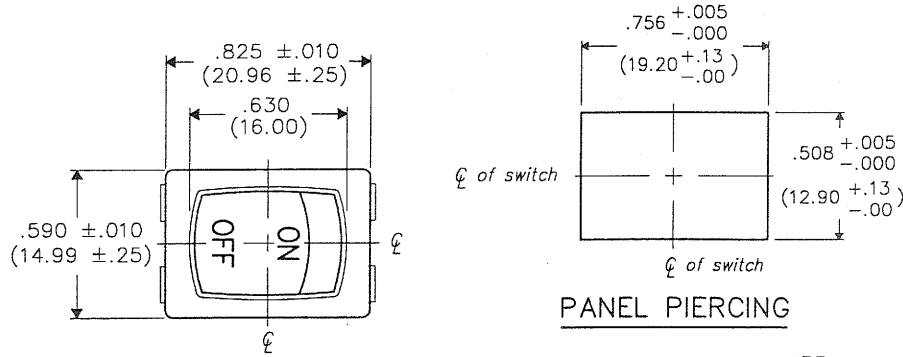
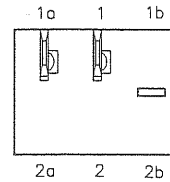


DIMENSIONS IN INCHES (MILLIMETERS)  
DO NOT SCALE DRAWING .....

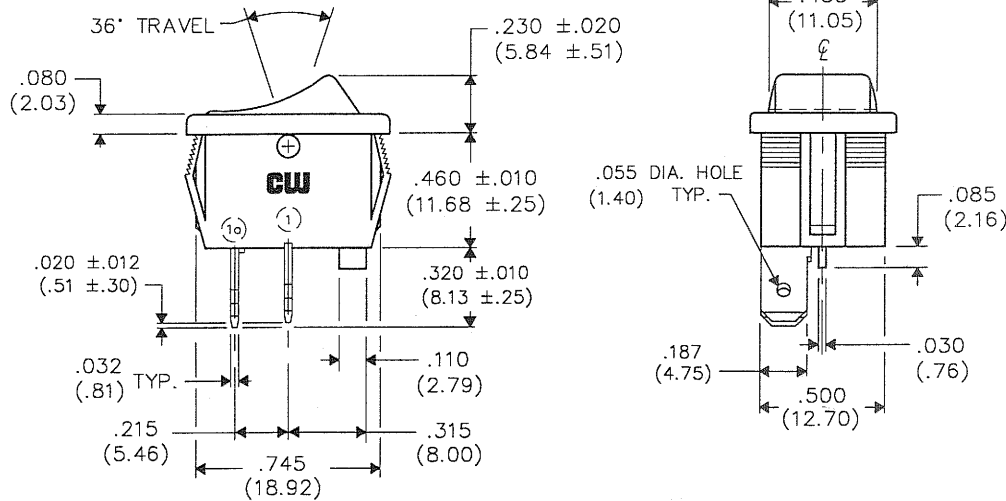
Dwg. No.  
GRS-4011-0036



PANEL PIERCING



BOTTOM VIEW



E								DIMENSIONS IN INCHES (MILLIMETERS) DO NOT SCALE DRAWING .....		Dwg. No. GRS-4011-0036
D										
C										
B										
A										
	1	2	3	4	5	6	7	8	9	10

FORM-B3  
REVISIONS  
RELEASED.  
DGW  
DEC 11 1996

**ATTENTION**  
THIS DRAWING AND ITS ATTACHMENT, IF ANY, ARE PROPRIETARY TO CW INDUSTRIES AND DESCRIBE DESIGNS THAT ARE CONFIDENTIAL AND MUST NOT BE DISCLOSED UNLESS AUTHORIZED, IN WRITING, BY AN OFFICER OF CW INDUSTRIES.....

ID. No. SAS0268A	<b>CW INDUSTRIES</b> Southampton, Pa. 18966		Title: MINI SWITCH SNAP - IN S.P. - S.T.
	TOLERANCES UNLESS OTHERWISE SPECIFIED		
	2 Place Decimal ±.010 3 Place Decimal ±.005 Angles ..... ±1°	METRIC 1 Place Dec. ±.25mm 2 Place Dec. ±.13mm	Division: SWITCH
	Drawn by: DGW 12-11-96 Checked by: G. GULD 12-11-96 Approval: D. Blomgren 12-11-96	Dwg. No. GRS-4011-0036	

MASTER