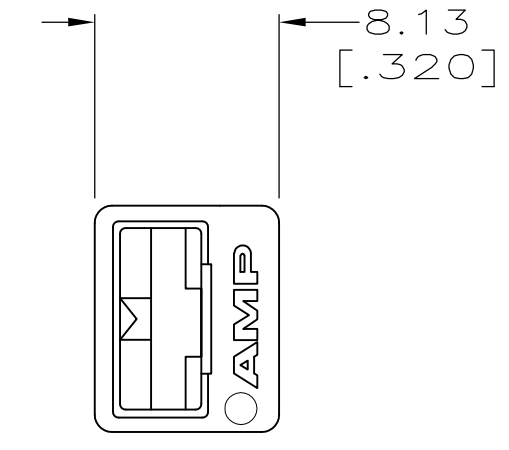
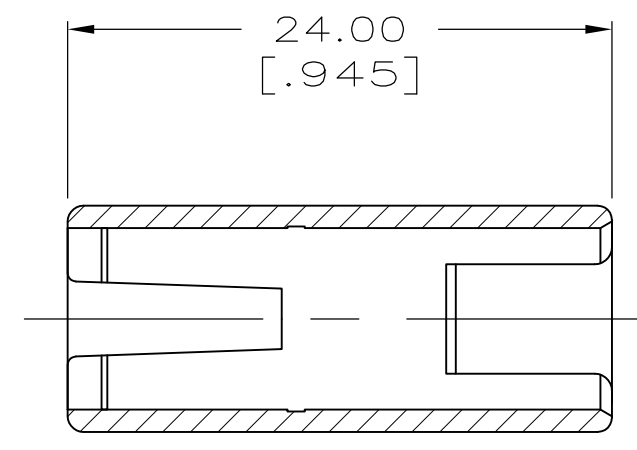
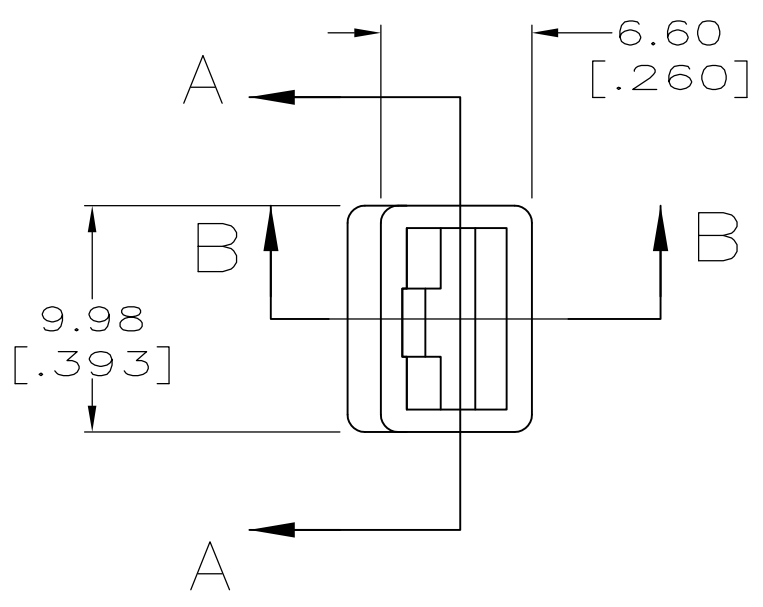
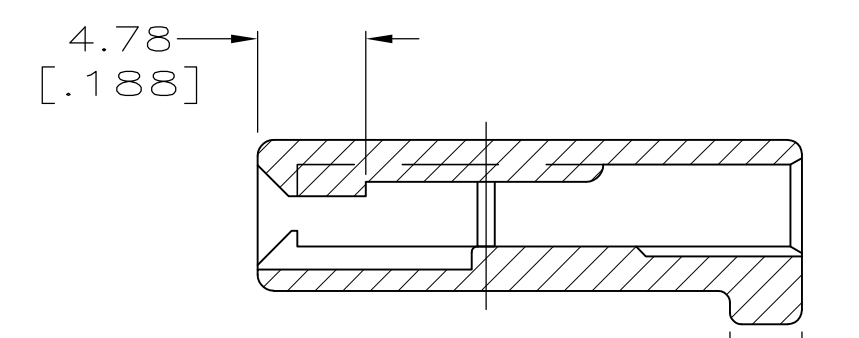


THIS DRAWING IS UNPUBLISHED. RELEASED FOR PUBLICATION  
 © COPYRIGHT - By - ALL RIGHTS RESERVED.

LOC	DIST	REVISIONS			
P	LTR	DESCRIPTION	DATE	DWN	APVD
AF	50	U2	REVISED PER ECR-19-008977	18JUL2019	BDA DS



SECTION A-A



SECTION B-B

1 PREPRODUCTION ONLY: AGENCY APPROVAL IS PENDING.

RED	NYLON VO	1-480054-5	1
BLACK	NYLON VO	1-480054-4	1
NATURAL	NYLON VO	1-480054-3	1
RED	6/6 NYLON	480054-5	
BLACK	6/6 NYLON	480054-4	
NATURAL	6/6 NYLON	480054-3	
<del>BLACK</del>	<del>CYCOLAC</del>	<del>480054-2</del>	
COLOR	MATERIAL	PART NO.	

OBSOLETE

DIMENSIONS:		TOLERANCES UNLESS OTHERWISE SPECIFIED:		DWN		CHK		APVD		NAME			
mm	[INCHES]	0 PLC	± -	1 PLC	± -	JR RUTH	08/JAN/99	MS FEHER	08/JAN/99	S HEADER	08/JAN/99		
		2 PLC	± 0.38 [.015]	3 PLC	± -	TE Connectivity HOUSING, RECEPT, FASTIN-FASTON, SINGLE CIRCUIT, 6.35 [.250] SERIES							
		4 PLC	± -	ANGLES	± -								
		FINISH	SEE TABLE										
MATERIAL		FINISH		WEIGHT		SIZE		CAGE CODE		DRAWING NO		RESTRICTED TO	
SEE TABLE		SEE TABLE		-		A3		00779		C-480054		-	
CUSTOMER DRAWING						SCALE		SHEET		REV			
						3:1		1 OF 1		U2			