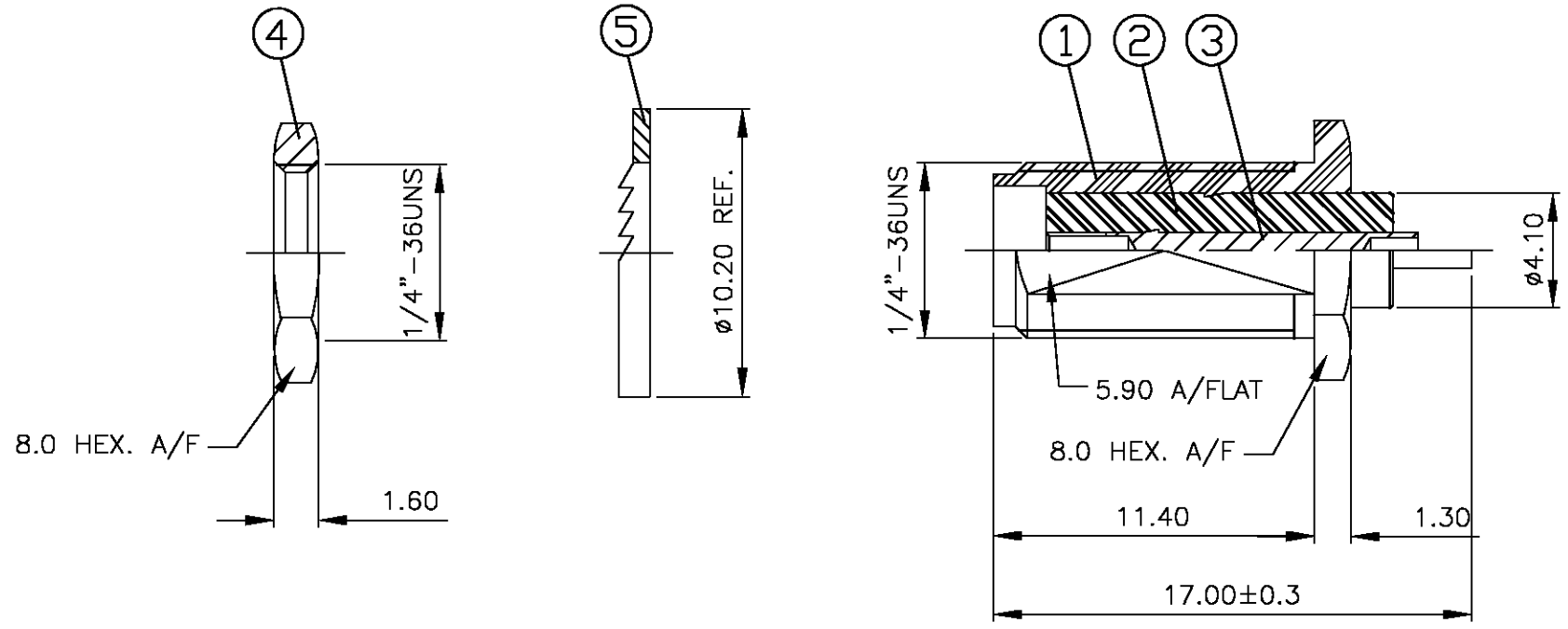


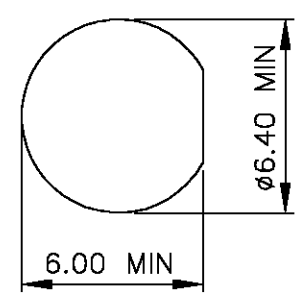
THIS DRAWING IS UNPUBLISHED. RELEASED FOR PUBLICATION APRIL, 2004.
 © COPYRIGHT 2004 BY TYCO ELECTRONICS CORPORATION. ALL RIGHTS RESERVED.

LOC	DIST	REVISIONS			
P	LTR	DESCRIPTION	DATE	DWN	APVD
E	B	A	EBD0-0035-03	12FEB04	RS FWK

- NOTES:
- ① SINGLE PACK IN ACCORDANCE WITH SPEC 107-3275
 - ② 100 TRAY PACK IN ACCORDANCE WITH SPEC 107-3275
 - ③ 0.08µm Au PLATING OVER 1.27µm Ni PLATING
 - ④ 0.08µm Au PLATING OVER 1.27µm Ni PLATING OVER 0.76µm Cu PLATING
 - ⑤ 0.76µm Au PLATING OVER 1.27µm Ni PLATING OVER 0.76µm Cu PLATING
 - ⑥ PASSIVATED
 - ⑦ WHITE BRONZE PLATING
 - ⑧ PLATING AS PER BODY, EXCEPT FOR PASSIVATED WHICH IS NICKEL PLATED
- 9 FOR TECHNICAL DATA REFER TO YOUR LOCAL TYCO ELECTRONICS SALES OFFICE
- 10 ALL DIMENSIONS ARE NOMINAL FOR REFERENCE ONLY UNLESS OTHERWISE STATED



RECOMMENDED MOUNTING HOLE DIM'S



QTY	PLC	FIN	PLC	FIN	PLC	FIN	PLC	FIN	MATERIAL	DESCRIPTION	ITEM
1	1	1	1	1	1	1	1	1	STAINLESS STEEL	WASHER	5
1	1	-	-	-	-	-	-	-	BRASS	NUT	4
-	-	1	1	-	-	-	-	-	BRASS	NUT	4
-	-	-	-	1	1	1	1	-	STAINLESS STEEL	NUT	4
1	1	1	1	1	1	1	1	-	BERYLLIUM COPPER	CENTER SOCKET	3
1	1	1	1	1	1	1	1	-	PTFE	INSULATOR	2
1	1	-	-	-	-	-	-	-	BRASS	BODY	1
-	-	1	1	-	-	-	-	-	BRASS	BODY	1
-	-	-	-	1	1	-	-	-	STAINLESS STEEL	BODY	1
-	-	-	-	-	-	1	1	-	STAINLESS STEEL	BODY	1
4--1	4--0	3--1	3--0	2--1	2--0	1--1	1--0		MATERIAL	DESCRIPTION	ITEM
②	①	②	①	②	①	②	①				

THIS DRAWING IS A CONTROLLED DOCUMENT.		DWN R.SMITH 12FEB04	Tyco Electronics Corporation Bideford, UK, EX39 4HE	
DIMENSIONS: mm		CHK S.PARLOW 12FEB04		
TOLERANCES UNLESS OTHERWISE SPECIFIED:		APVD F.WHEELER-KING 12FEB04	NAME SMA BULKHEAD SOCKET RECEPTACLE REAR MOUNT SOLDER SPILL	
0 PLC ± - 1 PLC ± - 2 PLC ± - 3 PLC ± - 4 PLC ± - ANGLES ± - FINISH -		PRODUCT SPEC 108-3460	RESTRICTED TO	
MATERIAL SEE TABLE		APPLICATION SPEC 411-3276	SIZE A3	CAGE CODE 00779
		WEIGHT -	DRAWING NO C-1478966	
		CUSTOMER DRAWING		SCALE 1:1
				SHEET 1 OF 1
				REV A