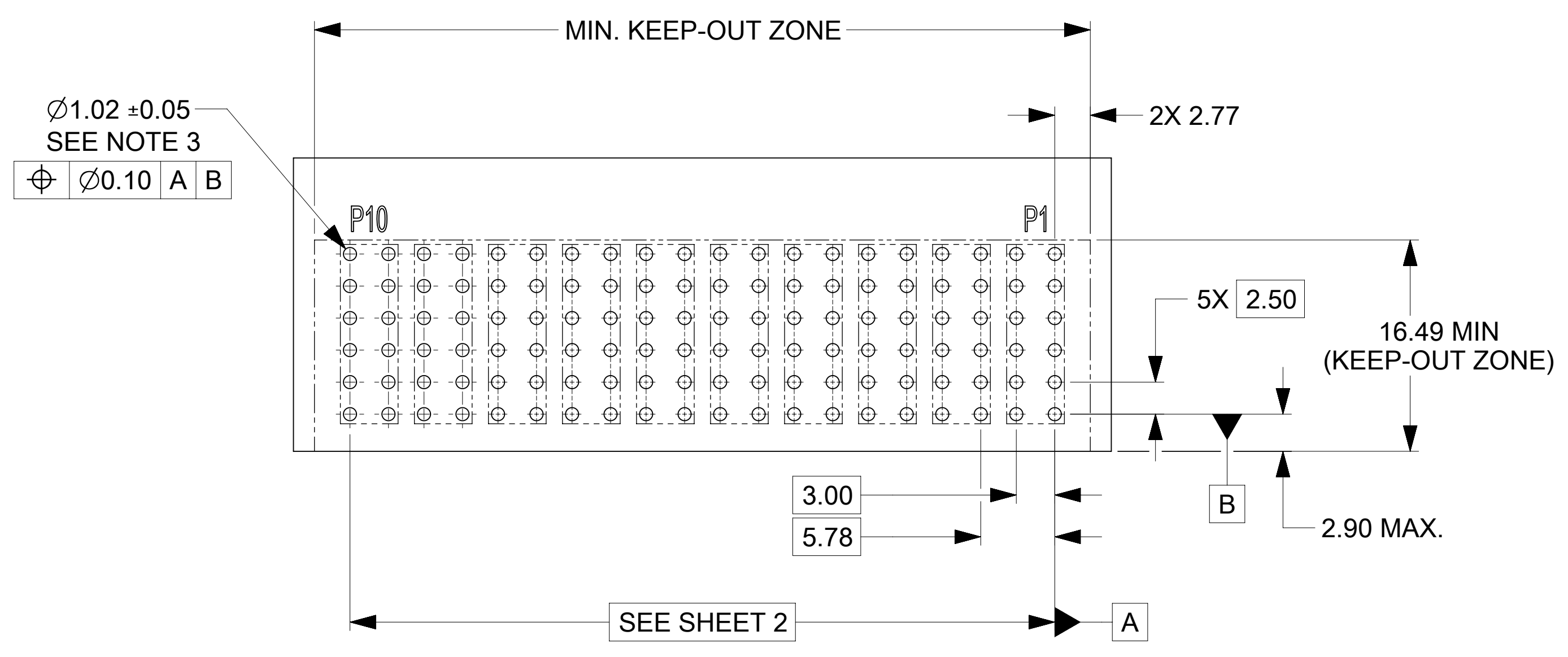


**PLUG MATED TO R/A RECEPTACLE
MATED PROFILE**

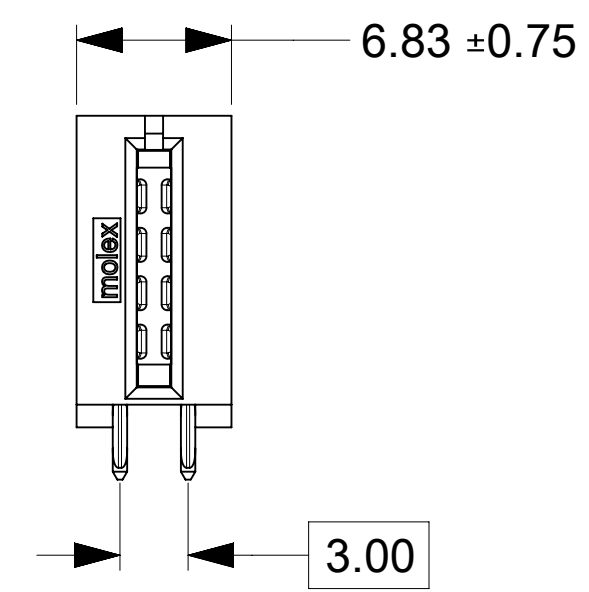


RECOMMENDED PCB LAYOUT AND KEEP-OUT ZONE

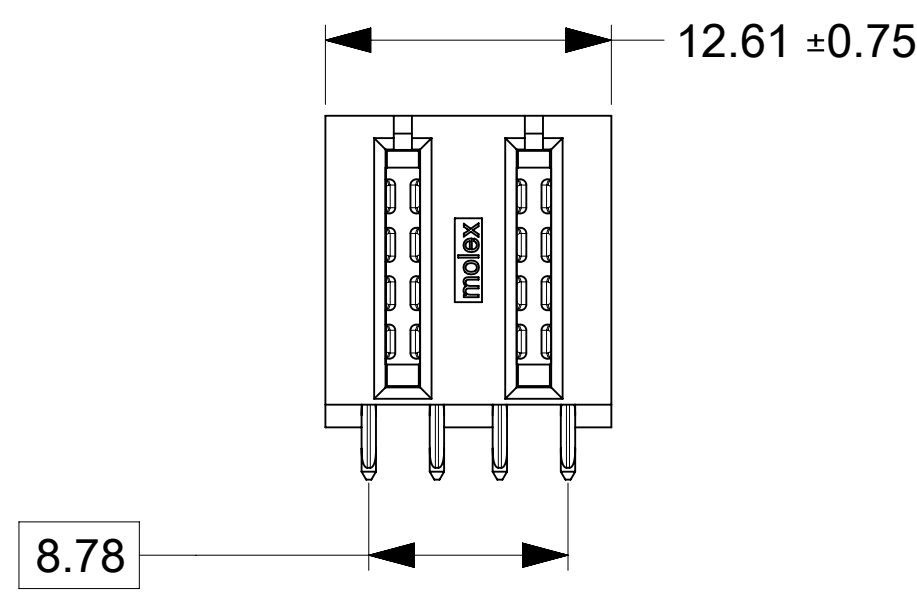
- NOTES:**
- MATERIAL:**
 - HOUSINGS: LCP UL94, V-0, COLOR : BLACK
 - TERMINALS: HIGH CONDUCTIVITY COPPER ALLOY
 - PLATING: 1.27 μm (50 μin) NICKEL OVERALL WITH 2.54 μm (100 μin) SELECTIVE TIN ON TAILS AND 0.762 μm (30 μin) SELECTIVE GOLD ON CONTACT AREA
 - PACKAGING:** ASSEMBLIES TO BE TRAY PACKED PER PACKAGING SPEC: 2141150010-PK.
 - PLATED THRU HOLE SIZE,** REFER TO PRODUCT SPEC. FOR DETAILS.
 - PRODUCT SPEC:** 2141130000-PS.
 - PRODUCT TO MEET RoHS REQUIREMENTS.**
 - VERTICAL ASSEMBLY MATES TO MOLEX PLUG 219562XXXX-SD, SEE DRAWING FOR DETAILS.**
 - TAIL DESIGN: COMPLIANT PIN.**
 - POWER TERMINALS ARE LUBRICATED.**
 - APPLICATION SPECIFICATION: 2141130000-AS (FOR COMPLIANT TAILS ONLY).**

THIS DRAWING CONTAINS INFORMATION THAT IS PROPRIETARY TO MOLEX ELECTRONIC TECHNOLOGIES, LLC AND SHOULD NOT BE USED WITHOUT WRITTEN PERMISSION									
DIMENSION UNITS	SCALE	CURRENT REV DESC:							
mm	3:1	<p>molex</p> <p>GUARDIAN HD REC POWER ONLY UNGUIDED PF</p> <p>PRODUCT CUSTOMER DRAWING</p>							
GENERAL TOLERANCES (UNLESS SPECIFIED)									
ANGULAR TOL	± °								
4 PLACES	±								
3 PLACES	±								
2 PLACES	± 0.25	EC NO: 745288	2023/03/24		DOCUMENT NUMBER		DOC TYPE	DOC PART	REVISION
1 PLACE	± 0.3	DRWN: LZABJANOVSKI	2022/04/01		2195649003-SD		PSD	000	A3
0 PLACES	±	CHK'D: JAYK1	2023/04/10		MATERIAL NUMBER		CUSTOMER	SHEET NUMBER	
DRAFT WHERE APPLICABLE MUST REMAIN WITHIN DIMENSIONS		THIRD ANGLE PROJECTION	DRAWING	SERIES	MATERIAL NUMBER	CUSTOMER	SEE CHART		
			D-SIZE	219564	SEE CHART	1 OF 2			

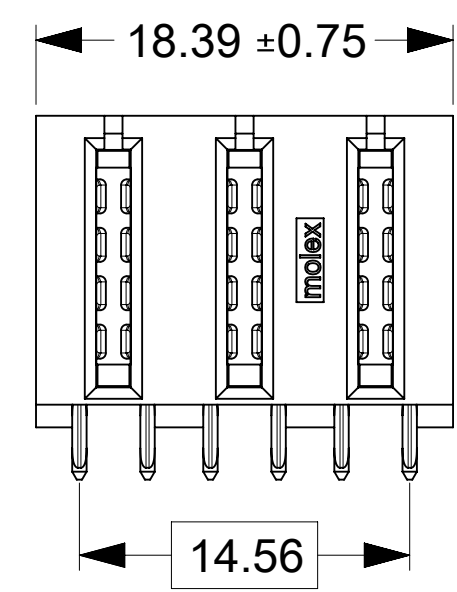
PART NUMBER	CONFIGURATION	QUANTITY PER CARTON (DU)
219564-0031	1P	585



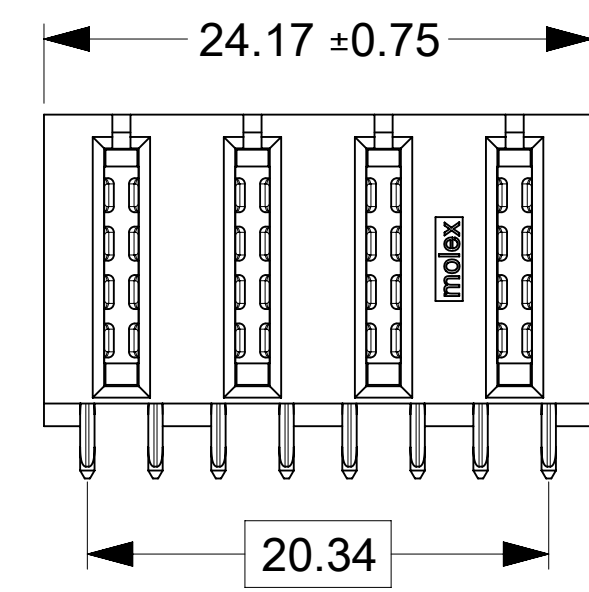
PART NUMBER	CONFIGURATION	QUANTITY PER CARTON (DU)
219564-0032	2P	315



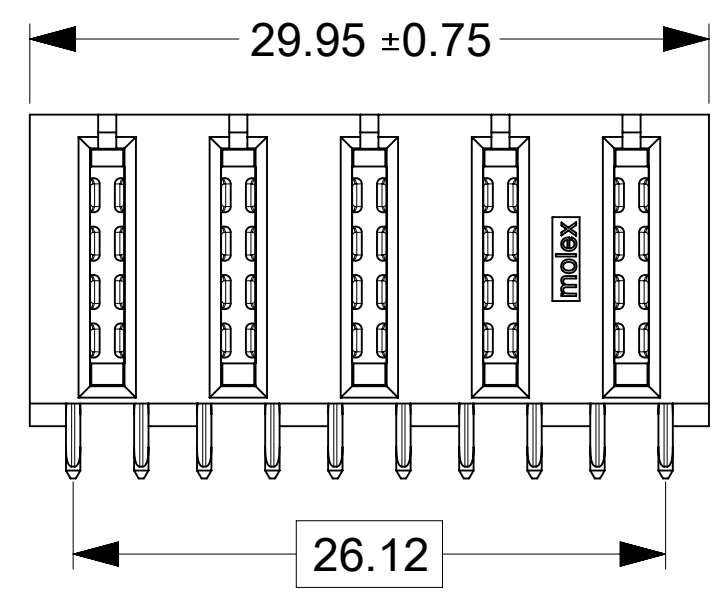
PART NUMBER	CONFIGURATION	QUANTITY PER CARTON (DU)
219564-0033	3P	210



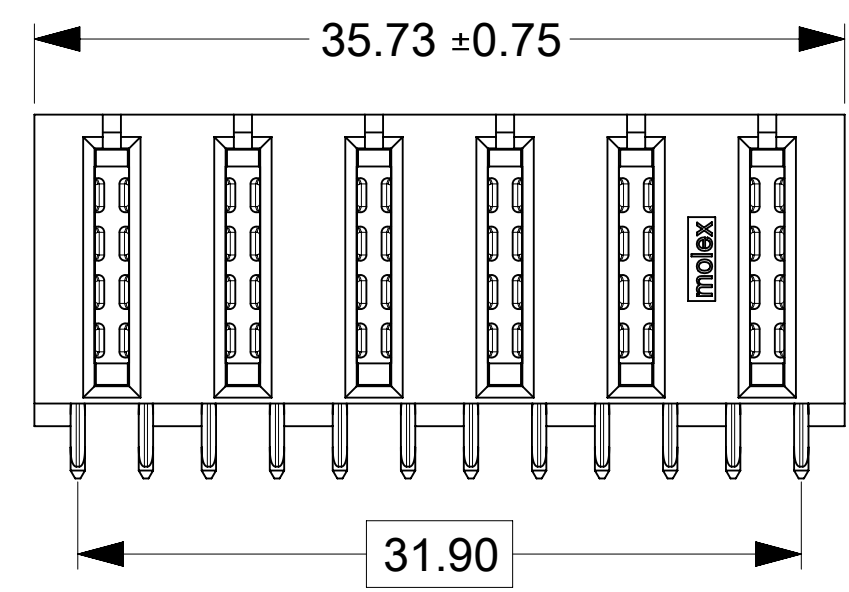
PART NUMBER	CONFIGURATION	QUANTITY PER CARTON (DU)
219564-0034	4P	165



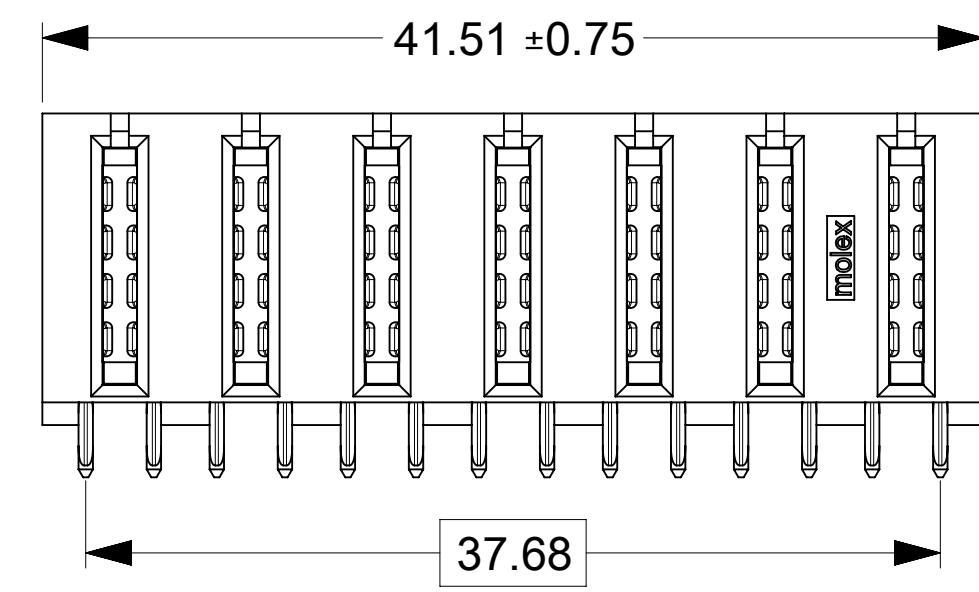
PART NUMBER	CONFIGURATION	QUANTITY PER CARTON (DU)
219564-0035	5P	120



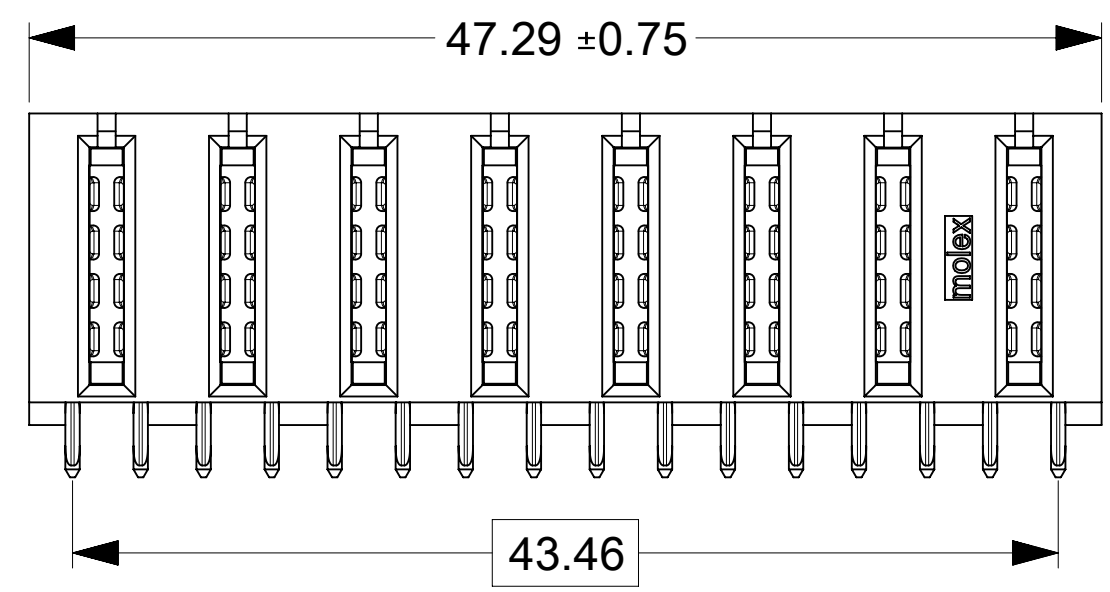
PART NUMBER	CONFIGURATION	QUANTITY PER CARTON (DU)
219564-0036	6P	105



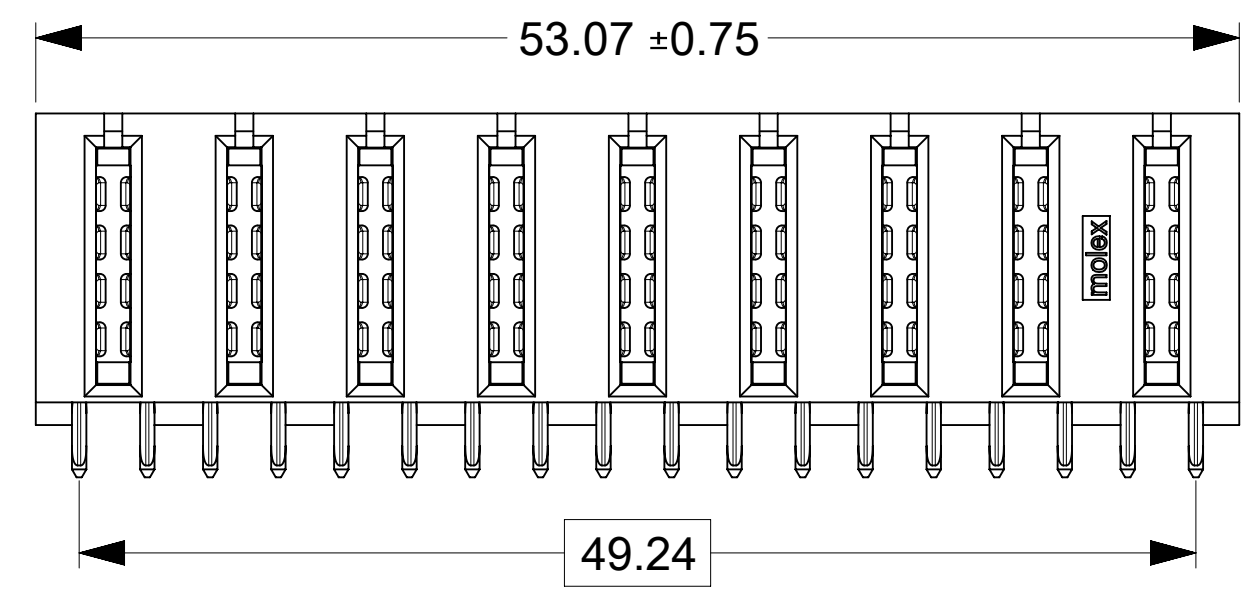
PART NUMBER	CONFIGURATION	QUANTITY PER CARTON (DU)
219564-0037	7P	90



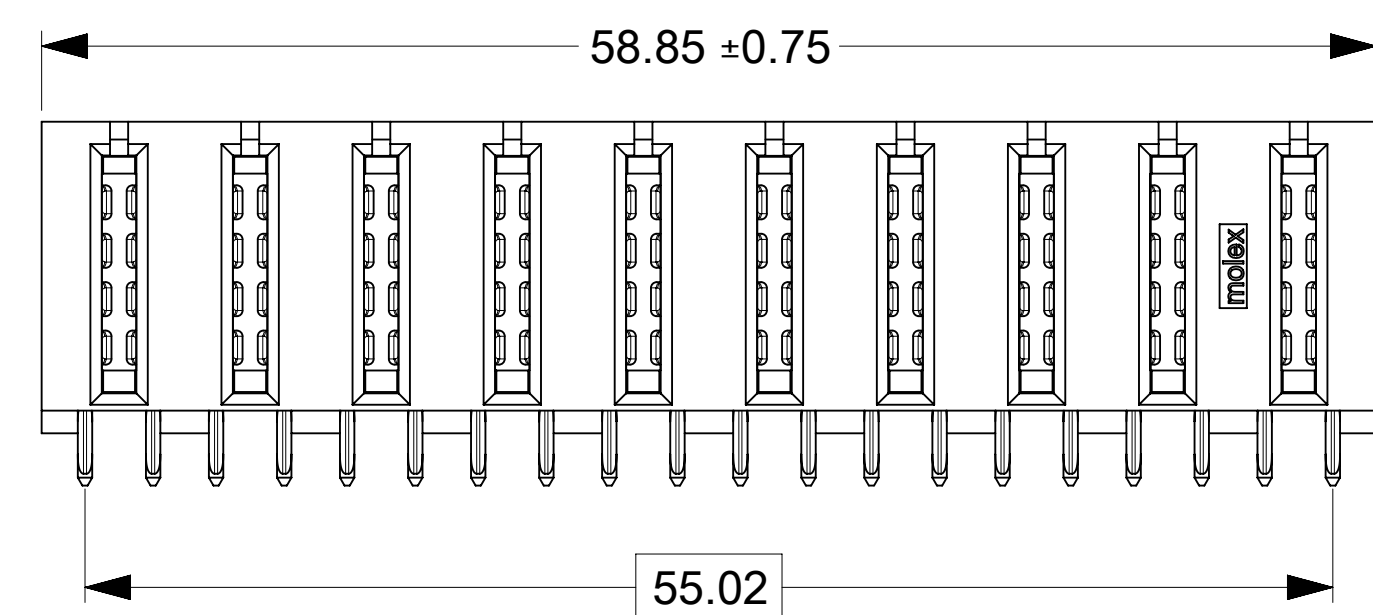
PART NUMBER	CONFIGURATION	QUANTITY PER CARTON (DU)
219564-0038	8P	75



PART NUMBER	CONFIGURATION	QUANTITY PER CARTON (DU)
219564-0039	9P	75



PART NUMBER	CONFIGURATION	QUANTITY PER CARTON (DU)
219564-0040	10P	60



THIS DRAWING CONTAINS INFORMATION THAT IS PROPRIETARY TO MOLEX ELECTRONIC TECHNOLOGIES, LLC AND SHOULD NOT BE USED WITHOUT WRITTEN PERMISSION

DIMENSION UNITS	SCALE	CURRENT REV DESC:
mm	3:1	
GENERAL TOLERANCES (UNLESS SPECIFIED)		
ANGULAR TOL	± °	
4 PLACES	±	EC NO: 745288
3 PLACES	±	DRWN: LZABJANOVSKI 2023/03/24
2 PLACES	± 0.25	CHK'D: JAYK1 2023/04/10
1 PLACE	± 0.3	APPR: JAYK1 2023/04/10
0 PLACES	±	INITIAL REVISION:
		DRWN: LZABJANOVSKI 2022/04/01
		APPR: BPISZCZOR 2022/08/04
DRAFT WHERE APPLICABLE	THIRD ANGLE PROJECTION	DRAWING
MUST REMAIN WITHIN DIMENSIONS		D-SIZE
		SERIES
		219564
		MATERIAL NUMBER
		SEE CHART
		CUSTOMER
		SHEET NUMBER
		2 OF 2

molex

GUARDIAN HD REC POWER ONLY
UNGUIDED PF

PRODUCT CUSTOMER DRAWING

DOCUMENT NUMBER	DOC TYPE	DOC PART	REVISION
2195649003-SD	PSD	000	A3