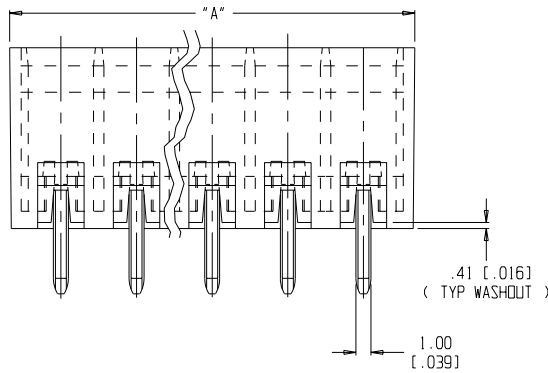
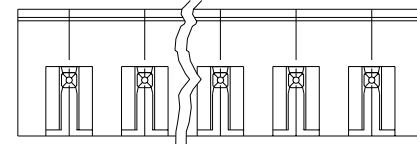
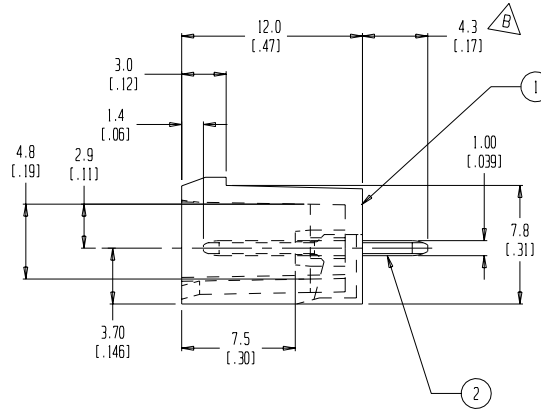
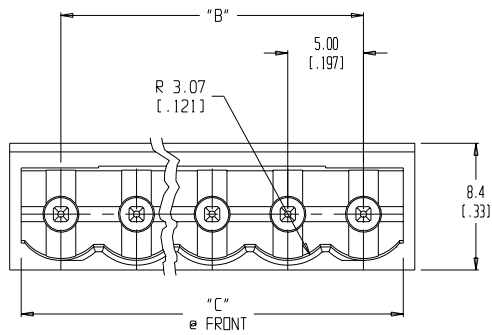


RECOMMENDED PLATED THRU HOLE PATTERN
SCALE 2:1



NOTES:

1. MATERIAL: SEE TABLE
2. FINISHES: SEE TABLE
3. PRODUCT SPECIFICATION: NOT REQUIRED
4. PACKAGING: NOT REQUIRED
5. MATES WITH: 87 SERIES PLUG
6. "XX" REFERS TO THE NUMBER OF CIRCUIT POSITIONS.
7. FOR 10A AND 11A IMPRINTING SEE DRAWING SD-38120-003.
8. DIMENSIONS IN BRACKETS ARE INCHES.

| ITEM | QTY. | DESCRIPTION | MATERIAL | FINISH |
|------|------|---------------------|---------------|---------------------------|
| 2 | XX | STRAIGHT HEADER PIN | BRASS | TIN PLATED GOLD PLATED |
| 1 | 1 | BASE MOLDING | THERMOPLASTIC | SEE CHART |

| | | | | | | | | | | |
|---|---|--|--|--|--|---|------------------------------|--------------------------------------|--|---------------------|
| EC NO. 11452 DRWN: RK 10-2-03 CHK: [] APPR: [] | QUALITY SYMBOLS MAJOR CRITICAL SPC | GENERAL TOLERANCES: (UNLESS SPECIFIED) mm INCH 4 PLACES ±.0015 3 PLACES ±.038 ±.005 2 PLACES ±.13 ±.01 1 PLACE ±.3 | | SCALE 4:1 | DESIGN UNITS <input type="checkbox"/> mm <input checked="" type="checkbox"/> INCH | THIRD ANGLE PROJECTION <input checked="" type="checkbox"/> mm INCH <input type="checkbox"/> INCH mm <input type="checkbox"/> mm ONLY | PROJECT NO. - DIMENSIONS: | - SHT REV - REV ON CAD ONLY | | |
| | | DRAWN BY & DATE W. HOWARD 08-20-03 | | CHECKED BY & DATE R. KEMP 08-28-03 | | TITLE: HEADER ST, CLOSED ENDS, ASSY. (5.00 [.197] CENTERS) | | | | |
| | | APPROVED BY & DATE P. WALTZ 09-02-03 | | CAD FILENAME 8716XX01 | | MATERIAL NO. - | | DRAWING NO. SD-39870-006 | | SHEET NO. 1 OF 2 |
| | | DRAFT WHERE APPLICABLE MUST REMAIN WITHIN DIMENSIONS | | THIS DRAWING CONTAINS INFORMATION THAT IS PROPRIETARY TO MOLEX INCORPORATED AND SHOULD NOT BE USED WITHOUT WRITTEN PERMISSION. | | | | | | |



SIZE C

| BLACK (STD) MATERIAL NO. | BLACK (-G30 OPT) MATERIAL NO. | 10A IMPRINT MATERIAL NO. | 11A IMPRINT MATERIAL NO. | NUMBER OF CIRCUITS "XX" | DIM. "A" ±.38 [.015] | DIM. "B" | DIM. "C" ±.33 [.012] |
|--------------------------|-------------------------------|--------------------------|--------------------------|-------------------------|----------------------|----------------|----------------------|
| 398700502 | 398710502 | 398720502 | 398730502 | 02 | 11.30 [.445] | 5.00 [.197] | 10.34 [.407] |
| 398700503 | 398710503 | 398720503 | 398730503 | 03 | 16.31 [.642] | 10.01 [.394] | 15.34 [.604] |
| 398700504 | 398710504 | 398720504 | 398730504 | 04 | 21.31 [.839] | 15.01 [.591] | 20.35 [.801] |
| 398700505 | 398710505 | 398720505 | 398730505 | 05 | 26.31 [1.036] | 20.02 [.788] | 25.35 [.998] |
| 398700506 | 398710506 | 398720506 | 398730506 | 06 | 31.32 [1.233] | 25.02 [.985] | 30.35 [1.195] |
| 398700507 | 398710507 | 398720507 | 398730507 | 07 | 36.93 [1.454] | 30.02 [1.182] | 35.36 [1.392] |
| 398700508 | 398710508 | 398720508 | 398730508 | 08 | 41.94 [1.651] | 35.03 [1.379] | 40.36 [1.589] |
| 398700509 | 398710509 | 398720509 | 398730509 | 09 | 46.94 [1.848] | 40.03 [1.576] | 45.36 [1.786] |
| 398700510 | 398710510 | 398720510 | 398730510 | 10 | 51.94 [2.045] | 45.03 [1.773] | 50.37 [1.983] |
| 398700511 | 398710511 | 398720511 | 398730511 | 11 | 56.95 [2.242] | 50.04 [1.970] | 55.37 [2.180] |
| 398700512 | 398710512 | 398720512 | 398730512 | 12 | 61.95 [2.439] | 55.04 [2.167] | 60.38 [2.377] |
| 398700513 | 398710513 | 398720513 | 398730513 | 13 | 66.95 [2.636] | 60.05 [2.364] | 65.38 [2.574] |
| 398700514 | 398710514 | 398720514 | 398730514 | 14 | 71.96 [2.833] | 65.05 [2.561] | 70.38 [2.771] |
| 398700515 | 398710515 | 398720515 | 398730515 | 15 | 76.96 [3.030] | 70.31 [2.768] | 75.39 [2.968] |
| 398700516 | 398710516 | 398720516 | 398730516 | 16 | 81.97 [3.227] | 75.06 [2.955] | 80.39 [3.165] |
| 398700517 | 398710517 | 398720517 | 398730517 | 17 | 86.97 [3.424] | 80.06 [3.152] | 85.39 [3.362] |
| 398700518 | 398710518 | 398720518 | 398730518 | 18 | 91.97 [3.621] | 85.06 [3.349] | 90.40 [3.559] |
| 398700519 | 398710519 | 398720519 | 398730519 | 19 | 96.98 [3.818] | 90.07 [3.546] | 95.40 [3.756] |
| 398700520 | 398710520 | 398720520 | 398730520 | 20 | 101.98 [4.015] | 95.07 [3.743] | 100.41 [3.953] |
| 398700521 | 398710521 | 398720521 | 398730521 | 21 | 106.98 [4.212] | 100.08 [3.940] | 105.41 [4.150] |
| 398700522 | 398710522 | 398720522 | 398730522 | 22 | 111.99 [4.409] | 105.08 [4.137] | 110.41 [4.347] |
| 398700523 | 398710523 | 398720523 | 398730523 | 23 | 116.99 [4.606] | 110.08 [4.334] | 115.42 [4.544] |
| 398700524 | 398710524 | 398720524 | 398730524 | 24 | 122.00 [4.803] | 115.09 [4.531] | 120.42 [4.741] |

| | | | | | | | | | |
|--|--|---|-------|--------------------------|--|-----------------------------|---------------------------------------|--|--|
| EC NO. SEE PAGE ONE | QUALITY SYMBOLS MAJOR = CRITICAL = SPC = S = | GENERAL TOLERANCES: (UNLESS SPECIFIED) | | SCALE - | DESIGN UNITS <input type="checkbox"/> mm <input checked="" type="checkbox"/> INCH | THIRD ANGLE PROJECTION | PROJECT NO. - | - | - |
| | | 4 PLACES | mm | INCH | ±.0015 | | DRAWN BY & DATE W. HOWARD 08-20-03 | TITLE: HEADER ST, CLOSED ENDS, ASSY. (5.00 [.197] CENTERS) | DIMENSIONS: <input checked="" type="checkbox"/> mm <input type="checkbox"/> INCH <input type="checkbox"/> mm ONLY |
| - | REV | 3 PLACES | ±.038 | ±.005 | CHECKED BY & DATE | APPROVED BY & DATE | REVISE ON CAD ONLY | | |
| | | 2 PLACES | ±.13 | ±.01 | | | | | |
| | | 1 PLACE | ±.3 | | | | MOLEX MOLEX INCORPORATED | | |
| | | ANGULAR: ±2° | | CAD FILENAME 8716XX01 | MATERIAL NO. - | DRAWING NO. SD-39870-006 | SHEET NO. 2 OF 2 | SIZE C | |
| DRAFT WHERE APPLICABLE MUST REMAIN WITHIN DIMENSIONS | | | | | | | | | |
| THIS DRAWING CONTAINS INFORMATION THAT IS PROPRIETARY TO MOLEX INCORPORATED AND SHOULD NOT BE USED WITHOUT WRITTEN PERMISSION. | | | | | | | | | |