

PART NUMBER	REV	TERMINATOR	FEED TYPE	DESCRIPTION
1426613-1	B	LEADMAKER	MECH POST FEED	CUTS CARRIER
1426613-2	B	BENCH	MECH PRE FEED	CUTS CARRIER
1426613-6	B	LEADMAKER	MECH POST FEED	CONTINUOUS CARRIER
7-1426613-1	B	LEADMAKER	MECH POST FEED	-1 AND SPARE PARTS
7-1426613-2	B	BENCH	MECH PRE FEED	-2 AND SPARE PARTS
7-1426613-6	B	LEADMAKER	MECH POST FEED	-6 AND SPARE PARTS
7-1426613-7	A	-	-	SPARE PARTS KIT

CRIMP	SIZE	TYPE	RANGE
WIRE	2.03 (.080 IN)	F	0.50mm <sup>2</sup> - 1.50mm <sup>2</sup>
INSUL	3.05 (.120 IN)	O	1.50-2.80 (.059-.110 IN)

WIRE STRIP LENGTH	APPL INSTRUCTIONS
3.50-4.00 (.138-.157 IN)	408-8322

TERMINAL APPL SPEC	FEED
-	11.00 (.433 IN)

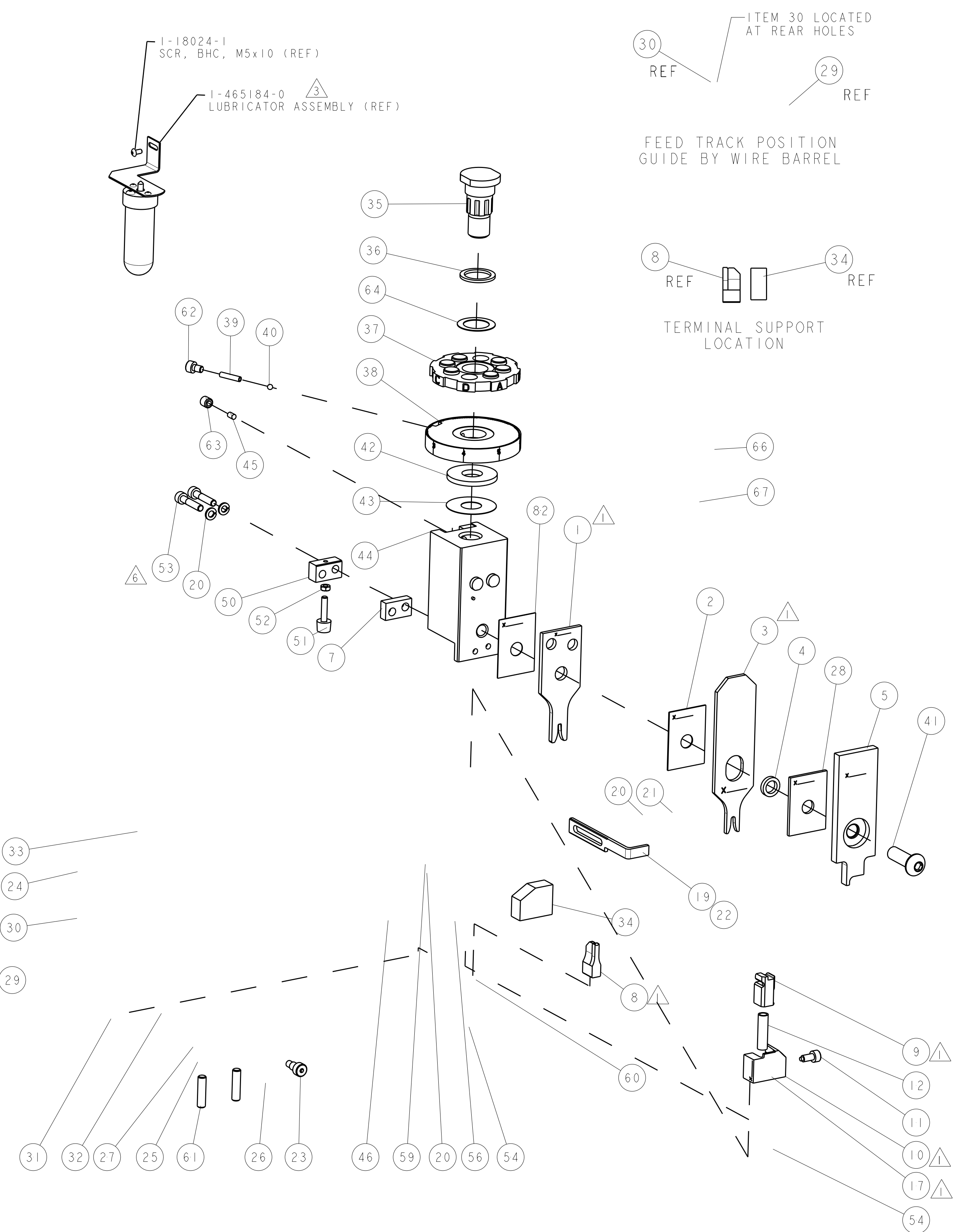
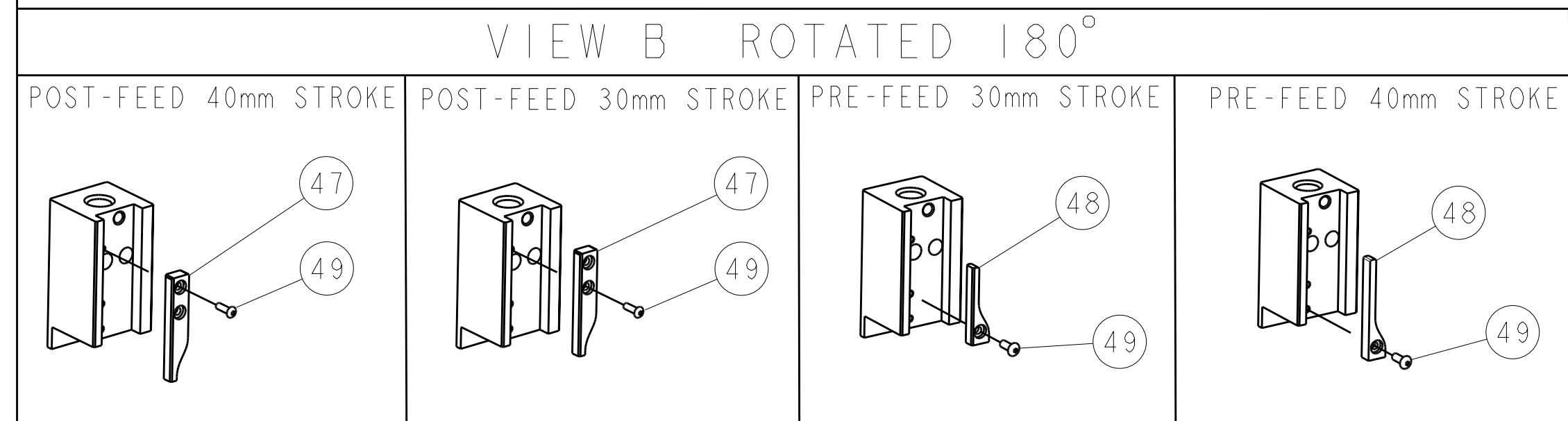
  

TYCO PN	MANUF 'S PN
1949078-1	11235700
1949078-2	11226500

WIRE SIZE	CRIMP HEIGHT	PIN PN & LENGTH [IN]
1.50mm <sup>2</sup>	1.63 ± 0.05 (.064 ± .002 IN)	9-354778-7 (.2980)
1.00mm <sup>2</sup>	1.42 ± 0.05 (.056 ± .002 IN)	1-354779-6 (.3070)
0.50mm <sup>2</sup>	1.22 ± 0.05 (.048 ± .002 IN)	3-354779-6 (.3170)

- △ RECOMMENDED SPARE PARTS.
- 2. GREASE RAM, CAM, CAM FOLLOWER AND FEED ROD LIGHTLY.
- △ CERTAIN TERMINALS REQUIRE LUBRICATION. REFER TO THE APPLICATOR INSTRUCTION SHEET FOR MORE INFORMATION.
- 4. LUBRICATE DAILY PER THE APPLICATOR INSTRUCTION SHEET SUPPLIED WITH THE APPLICATOR.
- △ ALL CRIMP DATA CALCULATED BY TYCO ELECTRONICS UK LTD. MAX ACHIEVABLE CRIMP TENSILE FOR 1.00mm<sup>2</sup> WIRE SIZE IS 85 N AND FOR 1.50mm<sup>2</sup> WIRE SIZE IS 110 N.
- △ ITEM 53, CUT TO LENGTH AT ASSEMBLY.



PART NO	DESCRIPTION	ITEM NO
455888-3	SPACER, CRIMPER	82
-77-76-72-71-6-2-1	PART NO	84

LOC	DIST	REV	DATE	BY	CHK	APPV	DESCRIPTION	DATE	OWN	APVD
A	66		05JUL2006	LJL	MC		SEE ECO-06-015990	05JUL2006	LJL	MC
B			03DEC2006	DM	GB		ECR-08-030674	03DEC2006	DM	GB

REV	DATE	DESCRIPTION	ITEM NO
73			
72			
71		1338705-1 DOCUMENTATION PACKAGE	71
70			
69			
68			
67		461264-1 PLATE, IDENTIFICATION	67
66		21017-2 SCREW, DRIVE	66
65			
64		986950-1 WASHER, FLAT PRECISION	64
63		3-18031-0 SCR, SET, CUP POINT M6 X 6.0	63
62		18023-9 SCR, SKT HD CAP M4 X 6.0	62
61		2-18032-5 SCR, SET, FLT POINT M5 X 20.0	61
60		18024-7 SCR, BTN SKT HD CAP (M4 X 10.0)	60
59		5-18022-2 SCR, HEX HD CAP M4 X 8.0	59
58			
57			
56		1338685-1 PAWL, FEED	56
55			
54		18024-8 SCR, BTN SKT HD CAP (M4 X 12.0)	54
53		1-18023-4 SCR, SKT HD CAP M4 X 20.0	53
52		18030-1 NUT, HEX, REG M3	52
51		811242-5 BUMPER, HOLD DOWN	51
50		690753-2 SPACER, TONKER	50
49		18024-3 SCR, BTN SKT HD CAP (M3 X 10.0)	49
48		1338675-1 CAM, UNIVERSAL PRE FEED	48
47		1338676-1 CAM, UNIVERSAL POST-FEED	47
46		1320999-3 APPLICATOR SUBASSEMBLY, HDI	46
45		690191-1 PLUG, NYLON	45
44		1338660-1 RAM	44
43		690125-1 SHIM SUB-ASSY	43
42		690124-1 WASHER, RAM (.115)	42
41		2-18024-6 SCR, BTN SKT HD CAP (M8 X 25.0)	41
40		23241-1 BALL, STEEL	40
39		2-22278-7 SPRING, COMPRESSION	39
38		1320922-1 DISC, ADJUST, INSULATION CRIMP	38
37		354777-1 WIRE DISC, ASSEMBLY	37
36		22480-5 SPRING, COMPRESSION	36
35		690212-1 POST, RAM	35
34		1320934-1 SUPPORT, TERMINAL	34
33		1-18024-0 SCR, BTN SKT HD CAP (M4 X 20.0)	33
32		18027-2 WASHER, FLAT, REG M4	32
31		1-18023-2 SCR, SKT HD CAP M4 X 12.0	31
30		1320908-8 SPACER, STRIP GUIDE	30
29		1633073-1 STRIP GUIDE ASSEMBLY	29
28		1-455888-7 SPACER, CRIMPER	28
27		1-22284-0 SPRING, COMPRESSION	27
26		356835-1 LEVER, DRAG RELEASE	26
25		240792-1 DRAG, TERMINAL	25
24		1320928-1 PLATE, STRIP GUIDE	24
23		980371-4 SCR, SKT HD SHLDR 5.0 DIA X 6.0	23
22		690472-2 STRIPPER	22
21		1-18023-1 SCR, SKT HD CAP M4 X 10.0	21
20		18025-2 WASHER, SPRG LOCK, REG M4	20
19		690472-1 STRIPPER	19
18			
17		1338684-1 SHEAR HOLDER, FRONT	17
16			
15			
14			
13			
12		3-22280-3 SPRING, COMPRESSION	12
11		356885-4 STOP, SHEAR	11
10		1320921-1 SHEAR HOLDER, FRONT, CUT	10
9		454276-1 FLOATING SHEAR, FRONT	9
8		1-1633131-8 ANVIL, COMBINATION .080	8
7		1-240641-8 SPACER	7
6			
5		1-455889-4 DEPRESSOR, SHEAR	5
4		238011-4 BLOCK, CRIMPER SPACER	4
3		1-456135-7 CRIMPER, INSULATION O PREMIUM	3
2		455888-5 SPACER, CRIMPER	2
1		1-456405-6 CRIMPER, WIRE PREMIUM	1

REV	DATE	DESCRIPTION	ITEM NO
77			
76			
75			
74			
73			
72			
71			
70			
69			
68			
67			
66			
65			
64			
63			
62			
61			
60			
59			
58			
57			
56			
55			
54			
53			
52			
51			
50			
49			
48			
47			
46			
45			
44			
43			
42			
41			
40			
39			
38			
37			
36			
35			
34			
33			
32			
31			
30			
29			
28			
27			
26			
25			
24			
23			
22			
21			
20			
19			
18			
17			
16			
15			
14			
13			
12			
11			
10			
9			
8			
7			
6			
5			
4			
3			
2			
1			

REV	DATE	DESCRIPTION	ITEM NO
77			
76			
75			
74			
73			
72			
71			
70			
69			
68			
67			
66			
65			
64			
63			
62			
61			
60			
59			
58			
57			
56			
55			
54			
53			
52			
51			
50			
49			
48			
47			
46			
45			
44			
43			
42			
41			
40			
39			
38			
37			
36			
35			
34			
33			
32			
31			
30			
29			
28			
27			
26			
25			
24			
23			
22			
21			
20			
19			
18			
17			
16			
15			
14			
13			
12			
11			
10			
9			
8			
7			
6			
5			
4			
3			
2			
1			

REV	DATE	DESCRIPTION	ITEM NO
77			
76			
75			
74			
73			
72			
71			
70			
69			
68			
67			
66			
65			
64			
63			
62			
61			
60			
59			
58			
57			
56			
55			
54			
53			
52			
51			
50			
49			
48			
47			
46			
45			
44			
43			
42			
41			
40			
39			
38			
37			
36			
35			
34			
33			
32			
31			
30			
29			
28			
27			
26			
25			
24			
23			
22			
21			
20			
19			
18			