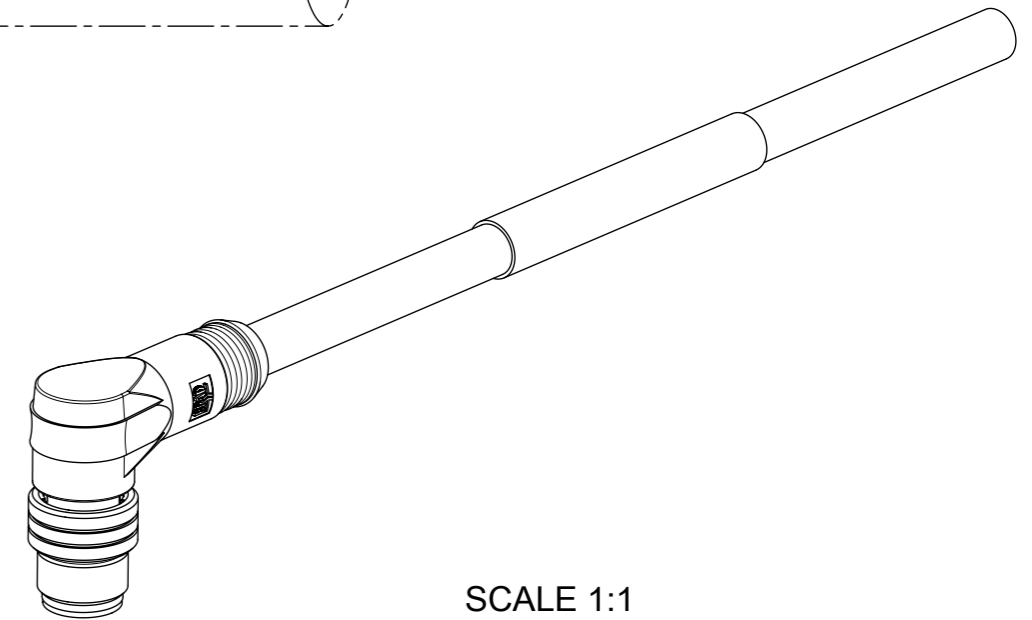
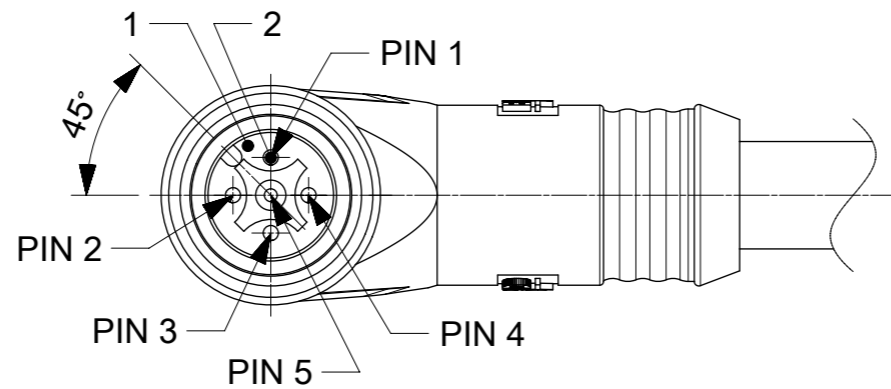
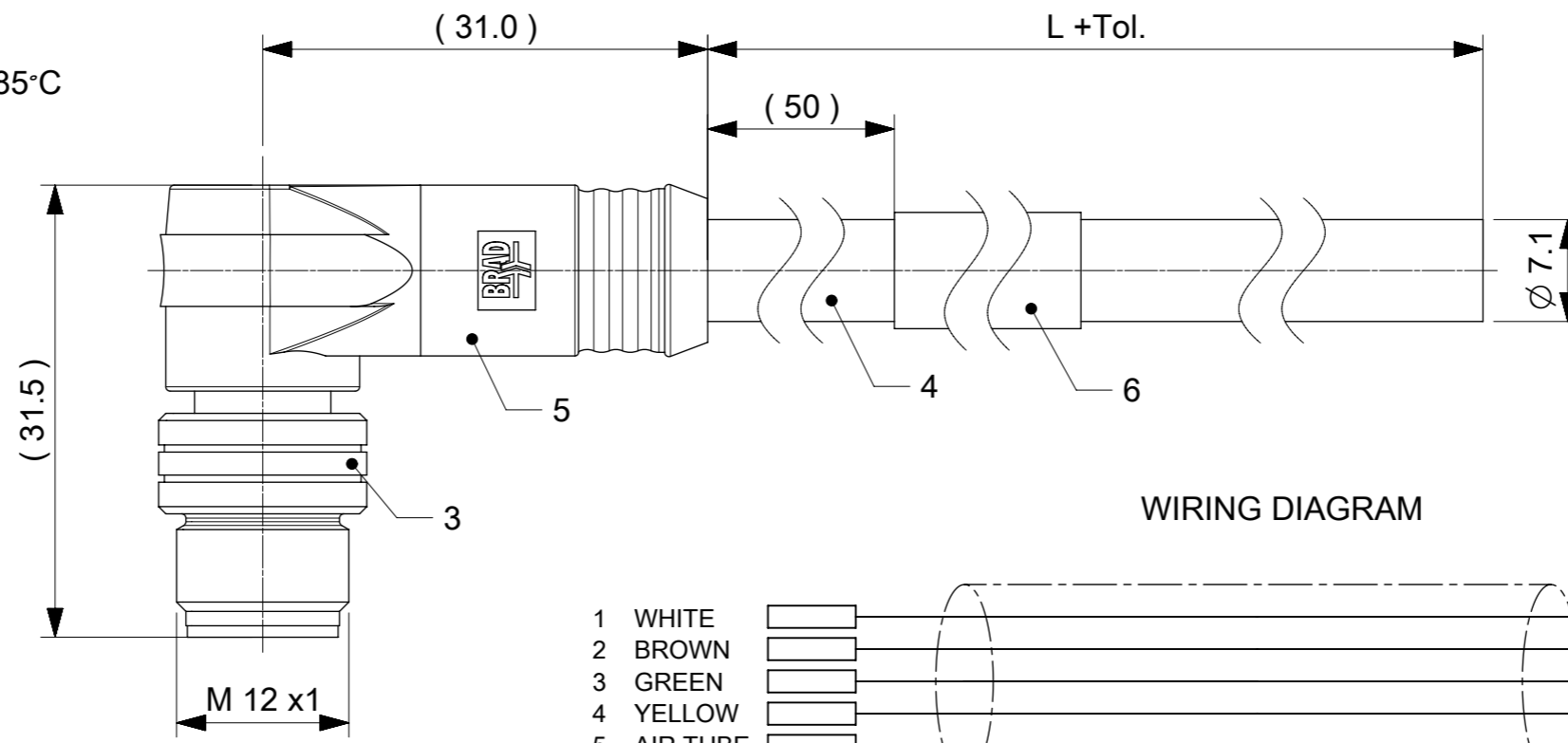


CONNECTOR SPECIFICATION

RATED VOLTAGE: 250 V AC/DC  
 RATED CURRENT: 4 A  
 PROTECTION: IP67  
 OPERATING TEMPERATURE: -25°C TO +85°C



SCALE 1:1

TABLE 1

POS	QTY	DESCRIPTION	MATERIAL	FINISH
1	1	INSERT M12 MA 5P BK	ELASTOLLAN	-
2	4	CONTACT 10 MA	COPPER ALLOY	SELECTIVE GOLD OVER NICKEL
3	1	SHELL M12 MA	BRASS	NICKEL PLATED
4	-	CABLE	SEE SHEET 2	-
5	-	OVERMOULDING MATERIAL BK	TPU	-
6	1	LABEL	VINYL	-

THIS DRAWING CONTAINS INFORMATION THAT IS PROPRIETARY TO MOLEX ELECTRONIC TECHNOLOGIES, LLC AND SHOULD NOT BE USED WITHOUT WRITTEN PERMISSION													
QUALITY SYMBOLS		2016/07/11		2016/07/29		GENERAL TOLERANCES (UNLESS SPECIFIED)		DIMENSION UNITS		SCALE			
FA	= 0	EC NO: 106989		DRWN: FGAIK		ANGULAR TOL ± 1.0 °		MM		2:1			
FE	= 0	REV: A		CHK'D: FGAIK		4 PLACES ±		DRWN BY		DATE			
FF	= 0	REV: A		CHK'D: FGAIK		3 PLACES ±		FGAIK		2016/07/11			
FD	= 0	REV: A		CHK'D: FGAIK		2 PLACES ± 0.05		CHK'D BY		DATE			
FC	= 0	REV: A		CHK'D: FGAIK		1 PLACE ± 0.3		APPR BY		DATE			
FB	= 0	REV: A		CHK'D: FGAIK		0 PLACES ± 0.5		RSILLER		2016/07/29			
FA	= 0	REV: A		CHK'D: FGAIK		DRAFT WHERE APPLICABLE MUST REMAIN WITHIN DIMENSIONS		DRAWING SIZE		THIRD ANGLE PROJECTION			
FE	= 0	REV: A		CHK'D: FGAIK				A3					
FF	= 0	REV: A		CHK'D: FGAIK									
FD	= 0	REV: A		CHK'D: FGAIK									
FC	= 0	REV: A		CHK'D: FGAIK									
FB	= 0	REV: A		CHK'D: FGAIK									
												CSE M12 5P AC MA RA XM SE UNSH BK	
										PRODUCT CUSTOMER DRAWING			
SERIES		MATERIAL NUMBER		CUSTOMER									
120065		SEE SHEET 2		GENERAL MARKET									
DOCUMENT NUMBER								DOC TYPE		DOC PART		SHEET NUMBER	
1200659838								PSD		000		1 OF 2	

ENGINEERING NO. - NUMERICAL CODE (Available parts see PART LIST table. Others on request).

OPTIONS

805 007 XXXM XXXX X

80=M12x1  
Single ended

Poles:  
5=5 Poles

Heads style:  
007=Plug Male  
90° Angled

Cable type: See Table 3

Units:  
M=Meter

Length  
Examples:  
005=0.5 units  
010=1 units  
100=10 units

Overmold color:  
Blank (Standard)=Black  
H= 2 pcs. of I/D Carrier PVC Transparent

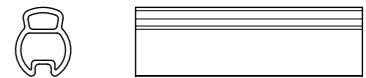


TABLE 2

MOLEX PN	ENGINEERING NO.	L [mm]	Tol. [mm]
1200659838	805007EP2M006	600	+40
1200659839	805007EP2M010	1000	+40
1200659840	805007EP2M015	1500	+60
1200659841	805007EP2M020	2000	+60
1200659842	805007EP2M025	2500	+60
1200659843	805007EP2M030	3000	+60
1200659844	805007EP2M040	4000	+60
1200659845	805007EP2M050	5000	+60
1200659846	805007EP2M075	7500	+80
1200659847	805007EP2M100	10000	+80
1200659848	805007EP2M120	12000	+140
1200659849	805007EP2M150	15000	+140
1200659850	805007PP2M006	600	+40
1200659851	805007PP2M010	1000	+40
1200659852	805007PP2M015	1500	+60
1200659853	805007PP2M020	2000	+60
1200659854	805007PP2M025	2500	+60
1200659855	805007PP2M030	3000	+60
1200659856	805007PP2M040	4000	+60
1200659857	805007PP2M050	5000	+60
1200659858	805007PP2M075	7500	+80
1200659859	805007PP2M100	10000	+80
1200659860	805007PP2M120	12000	+140
1200659861	805007PP2M150	15000	+140

TABLE 3

CABLE TYPE	NO. OF WIRES	CROSS SECTION	CABLE JACKET	UL	TEMPERATURE RANGE		SHIELD
					STATIC	FLEX	
EP2	4+air tube	0.25mm <sup>2</sup>	PVC BLACK	UL 1731/2517	-25°C to +105°C	-5°C to +105°C	YES
PP2	4+air tube	0.25mm <sup>2</sup>	PUR BLACK	UL 1729/20233	-40°C to +80°C	-25°C to +80°C	YES

<p>QUALITY SYMBOLS</p> <p>FA = 0</p> <p>FE = 0</p> <p>FB = 0</p> <p>FV = 0</p> <p>FC = 0</p> <p>FX = 0</p> <p>FS = 0</p> <p>FT = 0</p>	THIS DRAWING CONTAINS INFORMATION THAT IS PROPRIETARY TO MOLEX ELECTRONIC TECHNOLOGIES, LLC AND SHOULD NOT BE USED WITHOUT WRITTEN PERMISSION										
	2016/07/11	2016/07/29	GENERAL TOLERANCES (UNLESS SPECIFIED)		DIMENSION UNITS	SCALE					
			ANGULAR TOL ± 1.0 °		MM	1:1					
	106989	FGAIK	RSILLER	4 PLACES ±	DATE	FGAIK					2016/07/11
				3 PLACES ±		CHK'D BY		DATE			
				2 PLACES ± 0.05	APPR BY		DATE				
				1 PLACE ± 0.3	RSILLER		2016/07/29		PRODUCT CUSTOMER DRAWING		
	0 PLACES ± 0.5	DRAFT WHERE APPLICABLE MUST REMAIN WITHIN DIMENSIONS		DRAWING SIZE	THIRD ANGLE PROJECTION	SERIES	MATERIAL NUMBER	CUSTOMER			
	A3			A3		120065	SEE TABLE 2	GENERAL MARKET			
	DOCUMENT NUMBER		DOC TYPE	DOC PART	SHEET NUMBER		1200659838		PSD	000	2 OF 2