

6

5

4

3

2

1

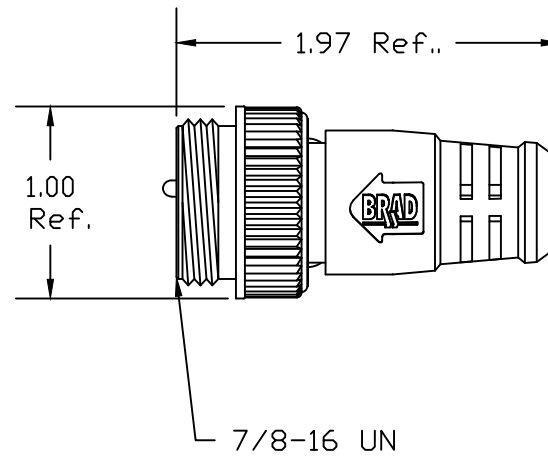
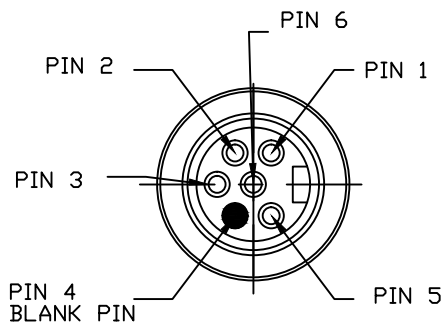
MATERIAL NUMBER

OLD PART NUMBER

130039-0358

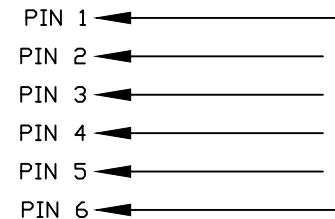
41437-001

FACE VIEW-MALE INSERT



CONTACT:	BRASS, GOLD PLATED
INSERT:	PVC, YELLOW
COUPLING NUT:	ZINC DIE CAST, BLACK E-COATED
MOLDED BODY:	RITEFLEX, RED

ELECTRICAL SCHEMATIC



INITIAL RELEASE EC NO: IFC2013-1910 DRWN: EBRACKEN 2013/06/20 CHKD: RSTONE APPR: BWOODMAN 2013/08/14	DESCRIPTION	QUALITY SYMBOLS	GENERAL TOLERANCES (UNLESS SPECIFIED)		DIMENSION STYLE IN/MM		SCALE ---	DESIGN UNITS INCH	THIRD ANGLE PROJECTION		
		▽=0 ∇=0	mm	INCH	DRAWN BY DATE	TITLE					
			4 PLACES ±---	±---	EBRACKEN 2013/06/18	MINI-CHANGE 6 POLE MALE SPCL SHORTING PLUG PIN 1 AND 6 JUMPERED					
			3 PLACES ±---	±.005	CHECKED BY DATE	MOLEX INCORPORATED					
	2 PLACES ±0.13	±.010	RSTONE ---	APPROVED BY DATE		DOCUMENT NO.		SHEET NO.			
	1 PLACE ±0.25	±.020	BWOODMAN 2013/08/14	MATERIAL NO.		SD-130039-039		1 OF 1			
				ANGULAR ±.5°		SEE CHART		THIS DRAWING CONTAINS INFORMATION THAT IS PROPRIETARY TO MOLEX INCORPORATED AND SHOULD NOT BE USED WITHOUT WRITTEN PERMISSION			
				DRAFT WHERE APPLICABLE MUST REMAIN WITHIN DIMENSIONS							

6

5

4

3

2

1

E

E

D

D

C

C

B

B

A

A