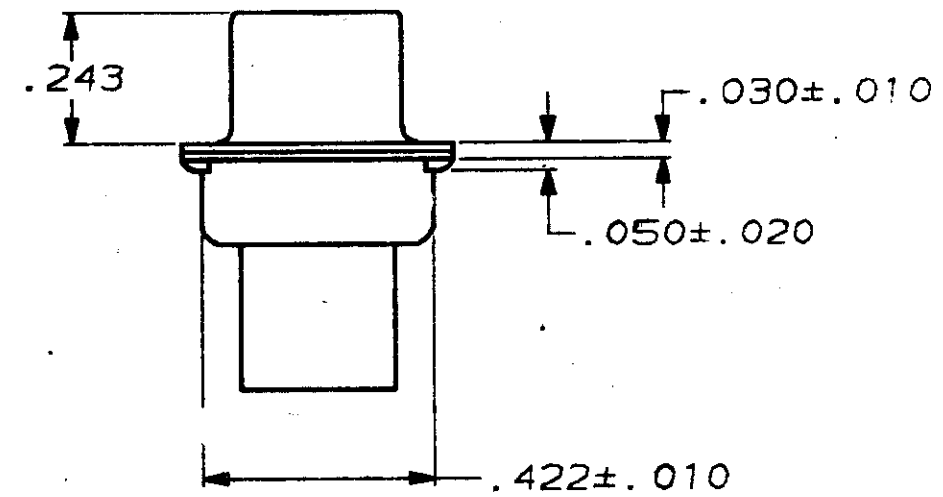
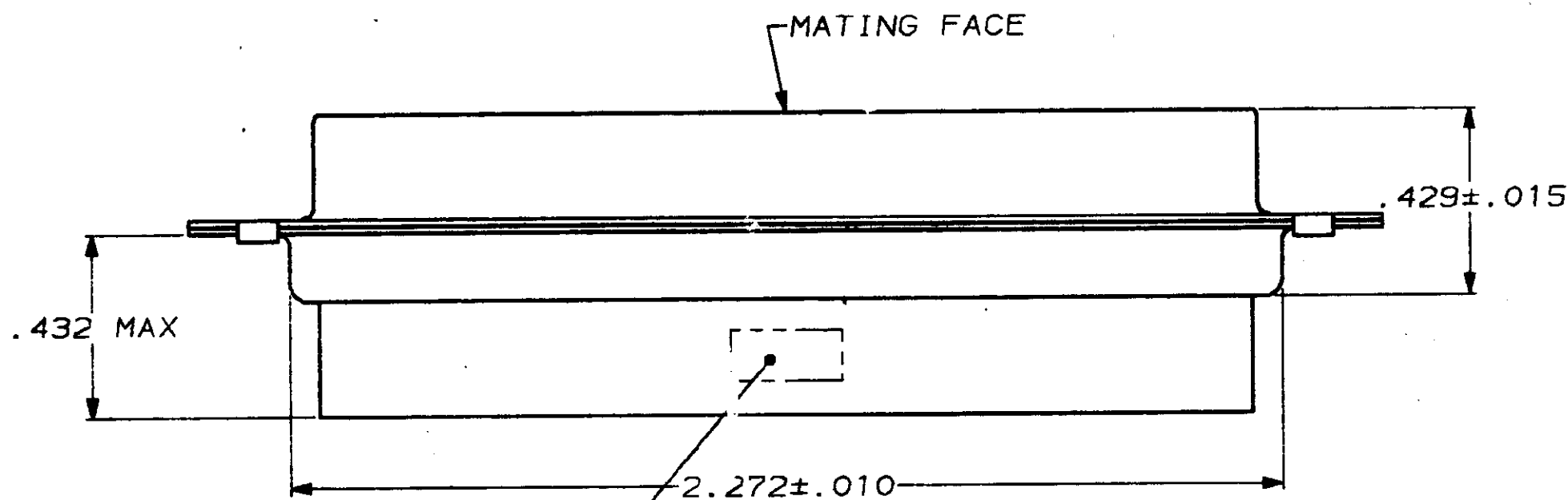
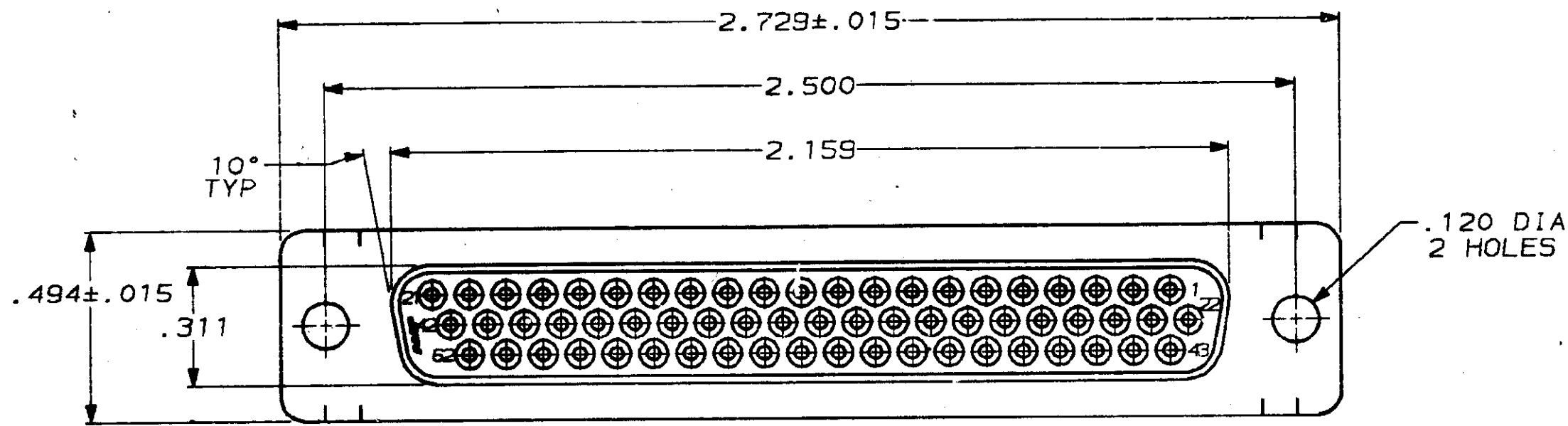


DRAWING MADE IN THIRD ANGLE PROJECTION

THIS DRAWING IS UNPUBLISHED. RELEASED FOR PUBLICATION .19
 © COPYRIGHT 19 BY AMP INCORPORATED. ALL INTERNATIONAL RIGHTS RESERVED.

| LOC | | DIST | | P | | F | | ZONE | | LTR | | REVISIONS | | |
|-----|----|------|--|---|--|---|--|------|--|-----|--|--------------------|------|---|
| BD | 39 | | | | | | | | | | | DATE | APPD | |
| | | | | | | | | | | | | REL WAS 87-4870-16 | - | - |



AMP, PART NO & DATE CODE, MARKED IN AREA INDICATED, ON FAR SIDE

- 1. CONNECTOR ACCEPTS SIZE 22 DF SOCKET CONTACTS, RETENTION TINES ARE AN INTEGRAL PART OF INSERT.
- 2. FLAME RETARDANT 94V-0 RATED GLASS FILLED NYLON, COLOR: BLACK.
- 3. STEEL PER ASTM A109.
- 4. TIN PLATED PER MIL-T-10727.

748568-1

PART NO

DO NOT SCALE PRINT.
 UNLESS SPECIFIED
 DIMENSIONS IN INCHES
 TOLERANCES ON:
 2 PLC DEC ± -
 3 PLC DEC ± .005
 ANGLES ± 2°

MATERIAL
 MOLDED PARTS: Δ
 SHELLS: Δ

FINISH
 SHELLS: Δ

DR: *C. Richard* 1-12-88
 CHK: *W.G. Leaker* 1-14-88

APPD: *J. Kymar* 1/14/88

APPD: *J. Kymar* 1/14/88

APPLICATION SPEC

WEIGHT

AMP | AMP INCORPORATED
 Harrisburg, Pa. 17105

NAME
 RECEPTACLE CONNECTOR, SIZE 4, 62 POSN,
 AMPLIMITE® HDP-22

| | | |
|----------|---------|--------------|
| SIZE | FSCM NO | DRAWING NO |
| C | 00779 | 748568 |
| SCALE | 3:1 | SHEET 1 OF 1 |

CUSTOMER DRAWING