

THIS DRAWING IS UNPUBLISHED.

RELEASED FOR PUBLICATION

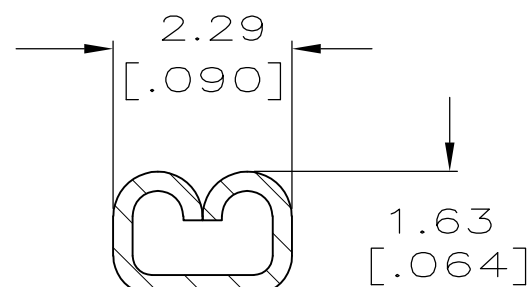
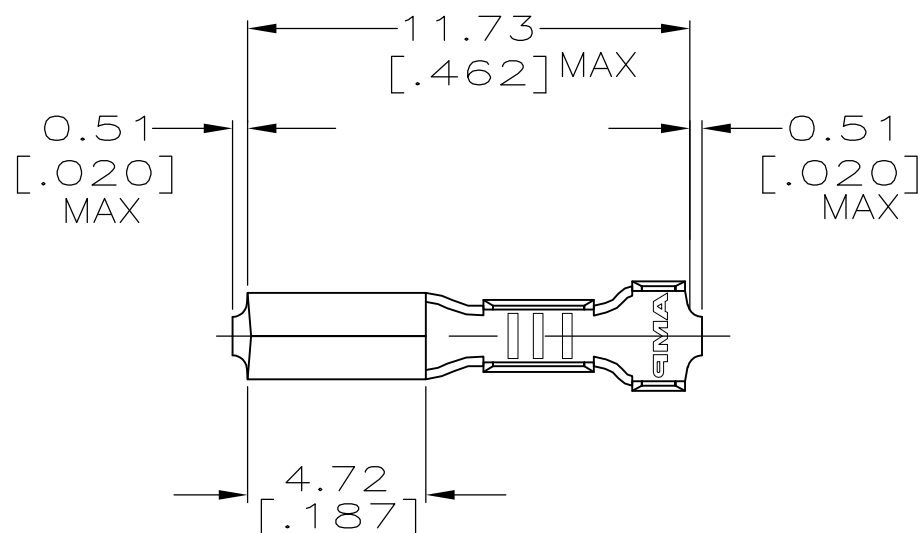
ALL RIGHTS RESERVED.

© COPYRIGHT - By -

LOC AF DIST 50

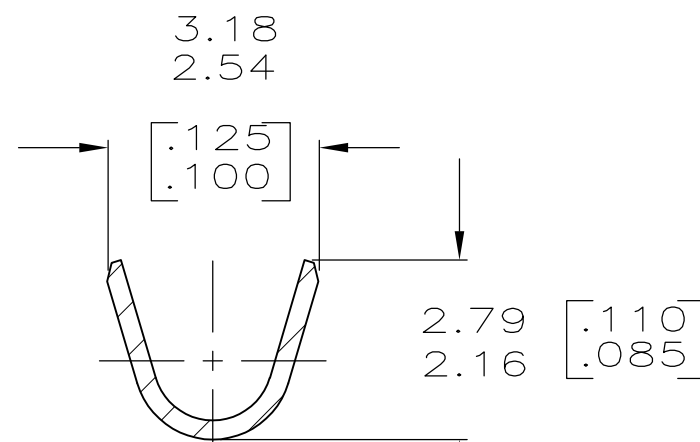
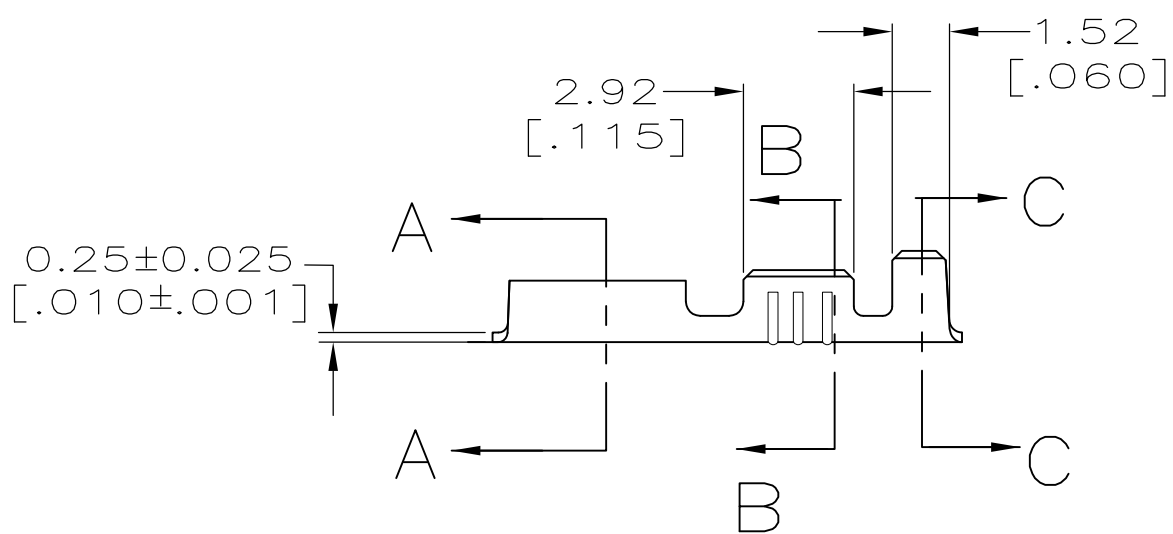
REVISIONS

P	LTR	DESCRIPTION	DATE	DWN	APVD
B		REVISED PER ECR-12-013459	28NOV2012	KH	PD

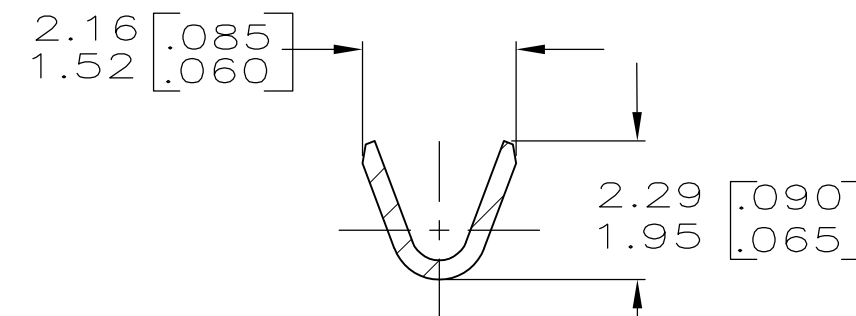


SECTION A-A
SCALE 10:1

- 1 SUPPLIED IN LOOSE PIECE.
- 2 MATING TAB SIZE IS 0.79 ± 0.025 BY $1.57 [0.031 \pm 0.001]$ BY $.062$.
- 3 WIRE SIZE IS $[\#24-\#20]$ AWG.
- 4 INSULATION RANGE IS $1.02-2.03 [0.040-.080]$ DIA.




SECTION C-C
SCALE 10:1



SECTION B-B
SCALE 10:1

60900-1	61454-1
SRTIP NO.	PART NO.

THIS DRAWING IS A CONTROLLED DOCUMENT.		DWN JR RUTH 8/12/97	 TE Connectivity RECEPTACLE, TAB, WRAP TYPE					
DIMENSIONS: mm [INCHES]		CHK MS FEHER 8/12/97				NAME		
TOLERANCES UNLESS OTHERWISE SPECIFIED:		APVD J HUZVAR 8/12/97				SIZE CAGE CODE DRAWING NO RESTRICTED TO		
0 PLC ± - 1 PLC ± - 2 PLC ± 0.25 [.010] 3 PLC ± - 4 PLC ± - ANGLES ± -		PRODUCT SPEC -				A3 00779 C-61454		
MATERIAL BRASS		FINISH 0.002032 [.000080] MIN TIN	APPLICATION SPEC -	WEIGHT -	CUSTOMER DRAWING	SCALE 5:1 SHEET 1 OF 1 REV B		