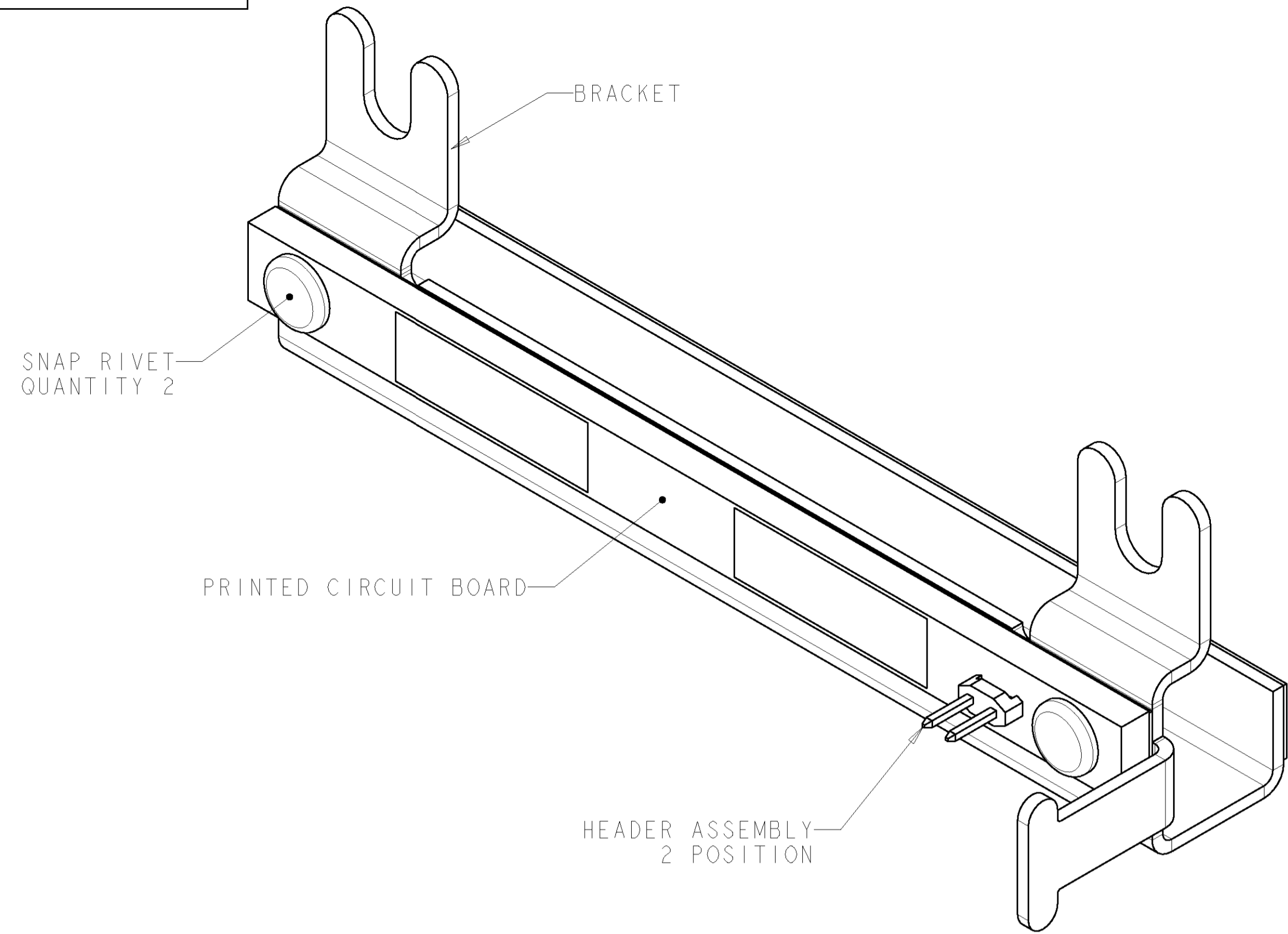
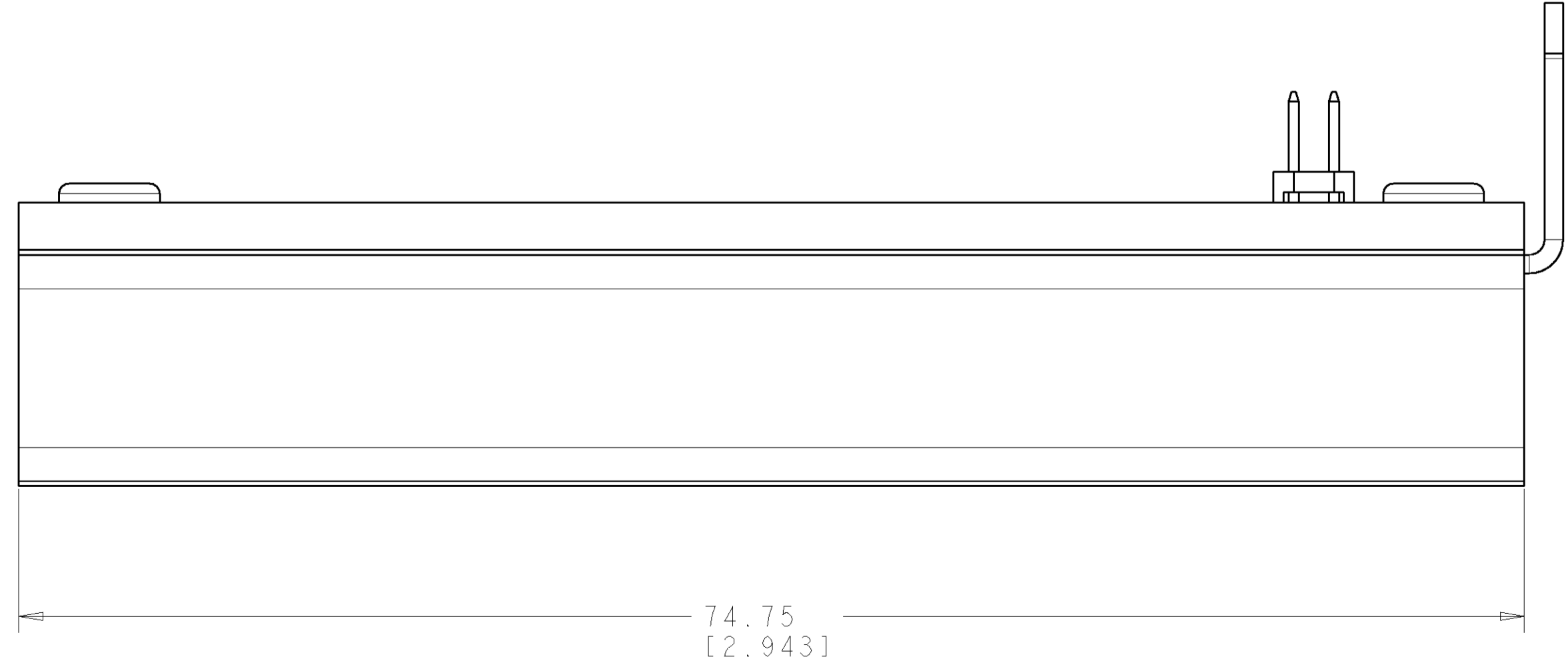
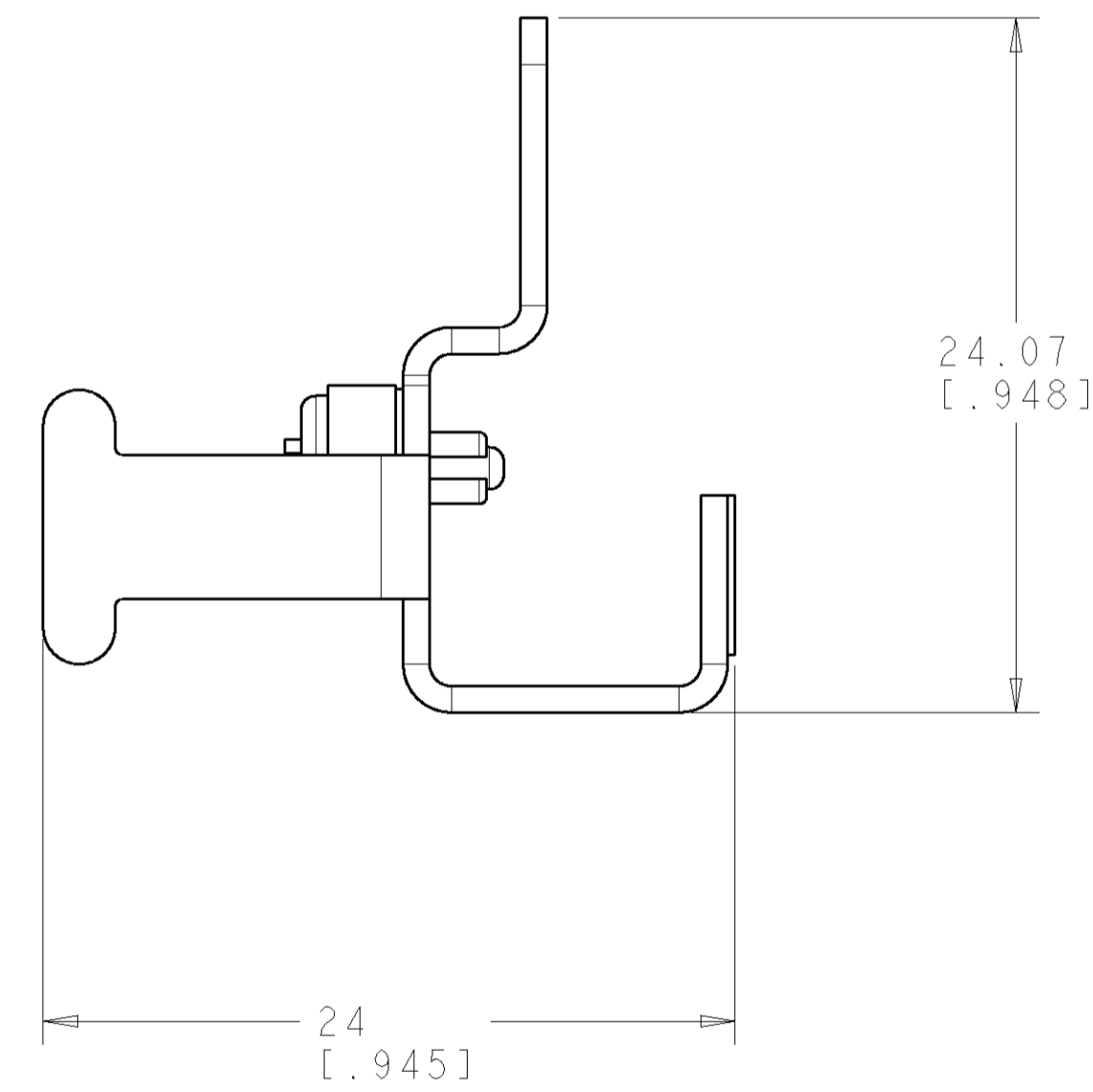
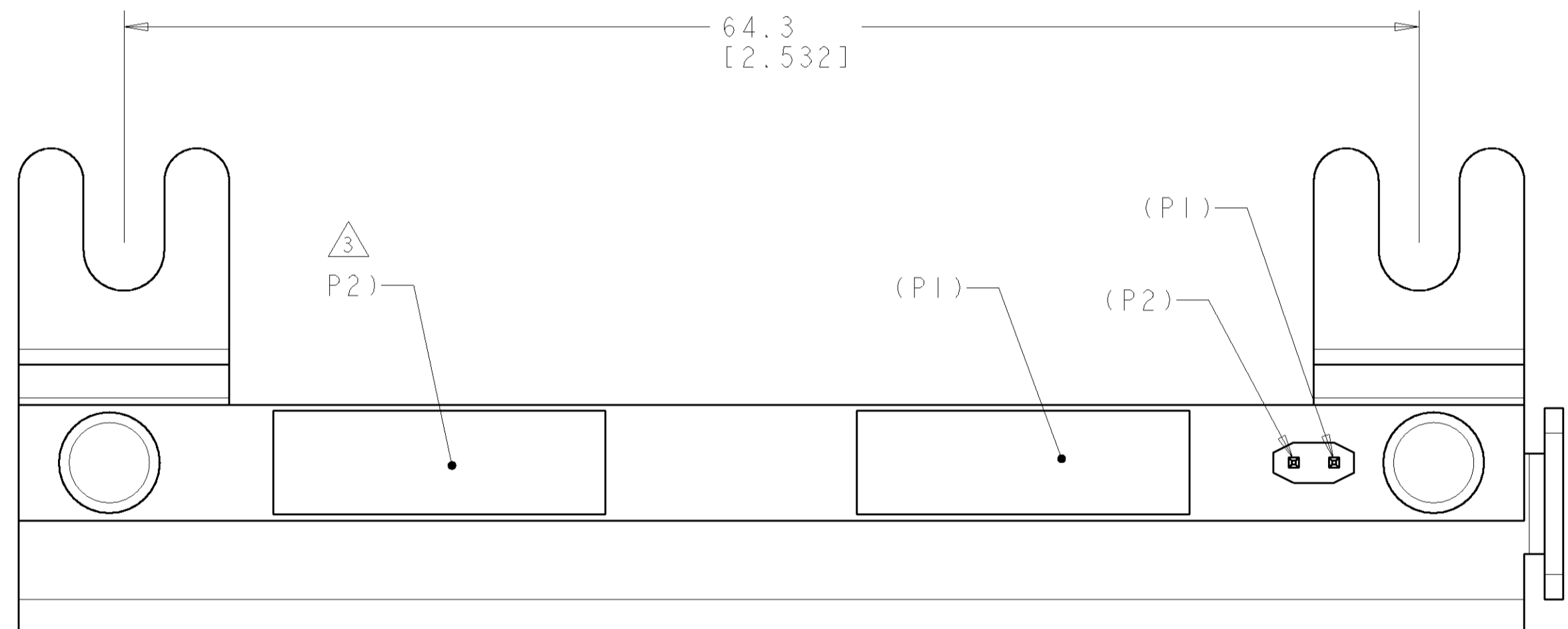


LOC		DIST		REVISIONS			
P	LTR	DESCRIPTION	DATE	DWN	APVD		
A		RLSD; NPR NS004-136	08NOV2004	GG	PP		
B		ADD: -2; EC 0660-0004-05	25JAN2005	GG	MD		



- ⚠ MATERIAL:
 PRINTED CIRCUIT BOARD - LAMINATED PLASTIC FR-4.
 ADHESIVE TAPE - MYLAR, 0.38 [0.015] THICK WITH ADHESIVE.
 HOUSING - THERMOPLASTIC, UL94V-0, BLACK.
 CONTACTS - COPPER ALLOY.
 BRACKET - COLD ROLL STEEL, BLACK.
 RIVETS - NYLON.
- ⚠ ALL DIMENSIONS SHOWN ARE NOMINAL.
- ⚠ (P_) CALLOUTS ARE FOR PIN TO PAD REFERENCE ONLY.



0.40 [0.016]	1479890-2
2.36 [0.093]	1479890-1
PCB THICKNESS	PART NUMBER

<small>THE DIMENSIONS IN THIS DRAWING ARE UNLESS OTHERWISE SPECIFIED TO THE DIMENSIONS OF THE PARTS AND COMPONENTS AS SHOWN. DIMENSIONS ARE TO BE TAKEN TO THE CENTER OF THE PARTS UNLESS OTHERWISE SPECIFIED.</small>		DWN: G. GARRETT 08NOV2004 ENR: P. PEPE 08NOV2004 APVD: P. PEPE 08NOV2004	tyco Tyco Electronics Harrisburg, PA 17105-3608
DIMENSIONS: MM [INCHES] 0 PLC ± 1 PLC ± 2 PLC ± 3 PLC ± 4 PLC ± ANGLES ±	TOLERANCES UNLESS OTHERWISE SPECIFIED: ± ± ± ± ± ±	NAME: KIT, 2 PORT SENSOR STRIP, AMPTRAC PRODUCT SPEC: - APPLICATION SPEC: - WEIGHT: - CUSTOMER DRAWING	SIZE: A 00779 C=1479890 SCALE: 4:1 SHEET: 1 OF: 1 REV: B