

SPECIFICATIONS

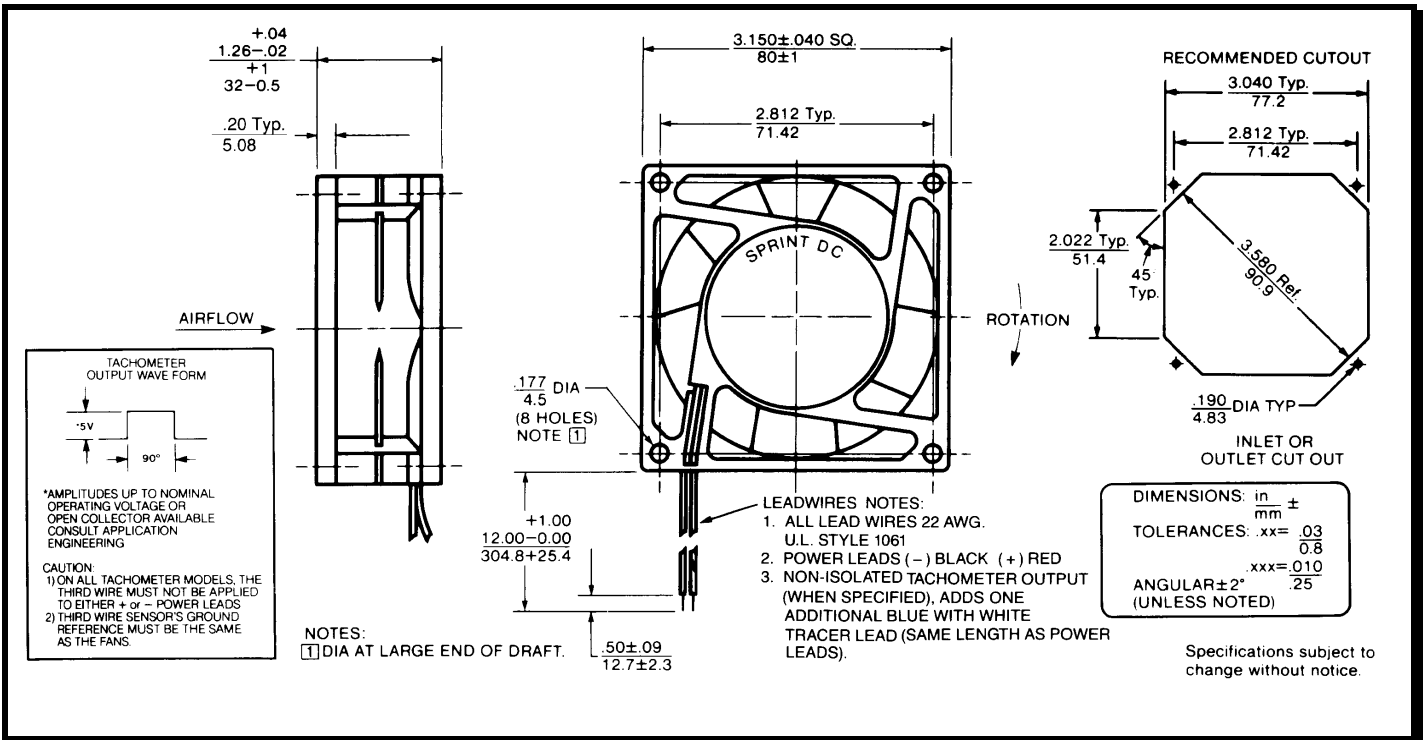
(RoHS Compliant)



Model Number: ST24Z3
Part Number: 19032556A
SPEC Number: 26013978A01

Feb 1, 2013

Mechanical Drawing:



Motor:

Nominal Voltage = 24 vdc
 Operating Voltage Range = 12 - 28 vdc
 Nominal Running Current = 0.260 amps
 Max. Locked Rotor Current = 1.130 amps
 Running Power = 6.7 watts
 Average Speed = 4700 RPM
 Bearings = Ball
 Air Flow = 45 CFM
 Acoustic: = 51.5 dBA

Construction:

Venturi: Plastic, Black, UL 94V-0.
 Propeller: Plastic, Black, UL 94V-0

Life Expectancy:

This fan is designed for continuous duty life of 78,000 hours at 40°C.

Additional Features:

Brushless DC motor
 Locked Rotor Protection
 Polarity Protected
 Automatic Restart Capability
 Operating Temperature: -10°C to 70°C
 Storage Temperature: -40°C to 85°C

Termination:

12" Lead wires, 22 AWG, UL 1061
 Red = Power (+)
 Black = Return (-)

Agency Approvals:

UL, CE