

Product Information

TH72006

315MHz FSK/ASK Transmitter

The TH72006 FSK/ASK transmitter IC is designed for applications in the 315 MHz industrial-scientific-medical (ISM) band. It can also be used for any other system with carrier frequencies ranging from 290 MHz to 350 MHz. The transmitter's carrier frequency f_c is determined by the frequency of the reference crystal f_{ref} . The integrated PLL synthesizer ensures that each RF value, ranging from 290 MHz to 350 MHz, can be achieved. This is done by using a crystal with a reference frequency according to: $f_{ref} = f_c/N$, where $N = 32$ is the PLL feedback divider ratio. A clock signal with selectable frequency is provided. It can be used to drive a microcontroller.

***Dedicated for
Tire Pressure Monitoring Systems***

Features

- Fully integrated PLL-stabilized VCO
 - Frequency range from 290 MHz to 350 MHz
 - Single-ended RF output
 - FSK through crystal pulling allows modulation from DC to 40 kbit/s
 - High FSK deviation possible for wideband data transmission
 - ASK achieved by on/off keying of internal power amplifier up to 40 kbit/s
 - Wide power supply range from 1.95 V to 5.5 V
 - Wide operating temperature range from -40°C to 125°C
-
- Very low standby current
 - Microcontroller clock output
 - On-chip low voltage detector
 - High over-all frequency accuracy
 - FSK deviation and center frequency independently adjustable
 - Adjustable output power range from -12 dBm to +11 dBm
 - Adjustable current consumption from 3.6 mA to 10.7 mA
 - Conforms to FCC part 15 and similar standards
 - 10-pin Quad Flat No-Lead (10L QFN 3x3 Dual)



Small things make a big difference.

Melexis
Microelectronic Integrated Systems

Automotive ICs

Hall ICs

Intelligent Drivers
and Actuators

RF&RFID

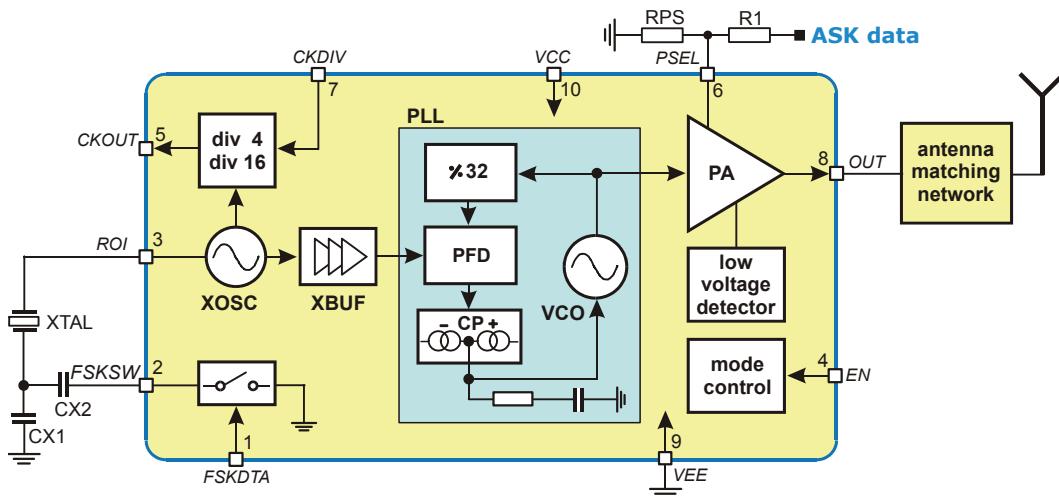
Silicon MEMS

CMOS Imaging

Bus ICs

IR Temperature

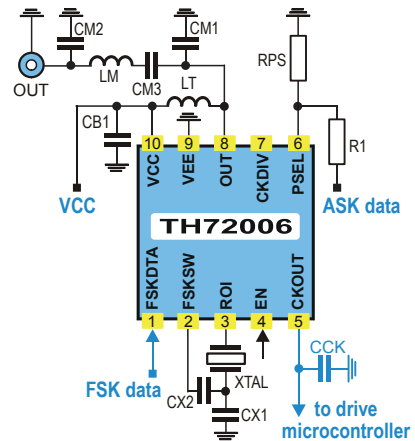
Block Diagram with external Components



Applications

- General digital data transmission
- Tire Pressure Monitoring Systems (TPMS)
- Remote Keyless Entry (RKE)
- Low-power telemetry systems
- Home and building automation
- Alarm and security systems
- Garage door openers
- Remote controls

Evaluation Board



Application Circuit

Disclaimer:

Devices sold by Melexis are covered by the warranty and patent indemnification provisions appearing in its Term of Sale. Melexis makes no warranty, express, statutory, implied, or by description regarding the information set forth herein or regarding the freedom of the described devices from patent infringement. Melexis reserves the right to change specifications and prices at any time and without notice. Therefore, prior to designing this product into a system, it is necessary to check with Melexis for current information. This product is intended for use in normal commercial applications. Applications requiring extended temperature range, unusual environmental requirements, or high reliability applications, such as military, medical life-support or life-sustaining equipment are specifically not recommended without additional processing by Melexis for each application. The information furnished by Melexis is believed to be correct and accurate. However, Melexis shall not be liable to recipient or any third party for any damages, including but not limited to personal injury, property damage, loss of profits, loss of use, interrupt of business or indirect, special incidental or consequential damages, of any kind, in connection with or arising out of the furnishing, performance or use of the technical data herein. No obligation or liability to recipient or any third party shall arise or flow out of Melexis' rendering of technical or other services. © 2006 Melexis NV. All rights reserved.

Email Europe and rest of the world:
sales_europe@melexis.com

Email USA :
sales_usa@melexis.com

Email Asia:
sales_asia@melexis.com

For additional information go to our website at:

www.melexis.com

Melexis
Microelectronic Integrated Systems