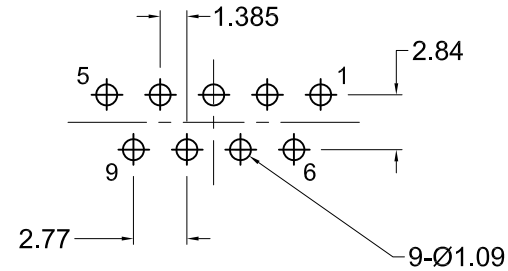


Recommended PCB Layout (top view)



(2) #4-40 UNC
Round Jackscrews

Material and Finish

Shell: steel, Nickel plated
Insulator: PBT with glass-fiber reinforcement, UL 94V-0 rated, color-black

Contact Material:
Socket: Brass
Contact Plating:

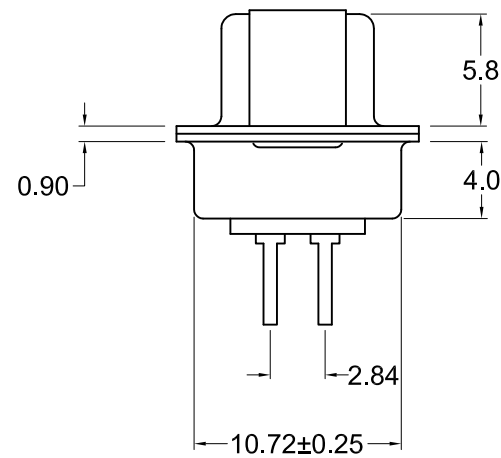
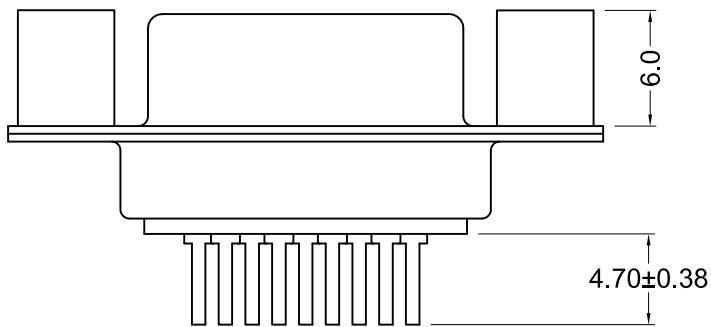
Standard:
Gold flash on mating end, tin on termination end, with entire contact nickel underplated

-15 Option:
15u" gold on mating end, tin on termination end, with entire contact nickel underplated

-30 Option:
30u" gold on mating end, tin on termination end, with entire contact nickel underplated

Electrical Specifications

Rated Current: 2A
Rated Voltage: 30V RMS
Withstanding Voltage:
500V (rms) AC for 1 minute
Insulation Resistance:
more than 1000 Megohm at 500V DC
Contact Resistance:
13 milliohm max.
Dielectric Strength:
1000V for 1 minute
Operating Temperature:
-55°C to +105°C



Ordering Information	
Part Number	Contact Area Plating Finish
K85X-ED-9S-R	Gold Flash (standard option)
K85X-ED-9S-R15	15u" Gold (15 option)
K85X-ED-9S-R30	30u" Gold (30 option)

RoHS COMPLIANT



Tolerances
X.X ± 0.25
X.XX ± 0.15
Unless Stated Otherwise

REV.	DATE	DESCRIPTION	REV. BY	CHK. BY	DRAWN BY	DATE
A1	04/10/06	New Drawing	R. Aguirre	H. MA	R. Aguirre	04/10/06
A2	1/9/08	ECO #07-052	WILL H.	H. MA		
A3	12/31/17	ECO #17-030	G. Serrato	C. Furumasu		

K85X-ED-9S-R

Vertical PCB Mount D-Sub, 9 Pin Female

#4-40 Round jackscrew installed, RoHS Compliant

