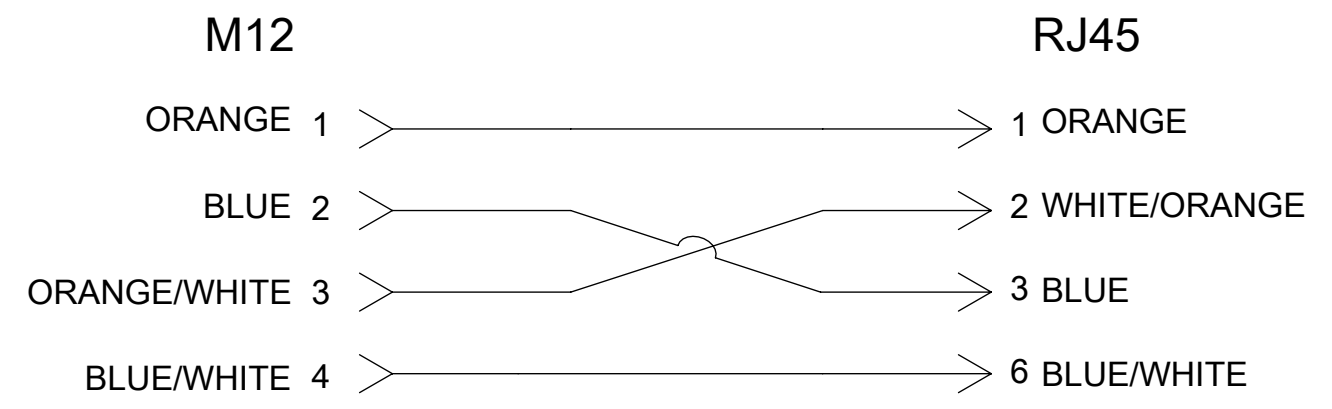


MATERIAL NO.	ENGINEERING NO.	FINISHED LENGTH
1300480205	E16A06002M010	3FT 3.37IN (1M)
1300480022	E16A06002M450	147 FT 7.7 IN (45M)
1300480026	E16A06002M900	295FT 3.30 (90M)

- NOTES:
1. MATERIAL: AS NOTED
 2. FINISH: AS NOTED
 3. ELECTRICAL SPECIFICATIONS
VOLTAGE RATING: 125V
CURRENT RATING: 1.5A
 4. TEMP RANGE: -25°C TO +75°C
 5. PROTECTION: IP67 (WHEN MATED)
 6. UL FILE: E200650 (A2)
 7. ALL DIMS ARE FOR REFERENCE UNLESS TOLERANCED OR NOTED OTHERWISE

WIRING DIAGRAM



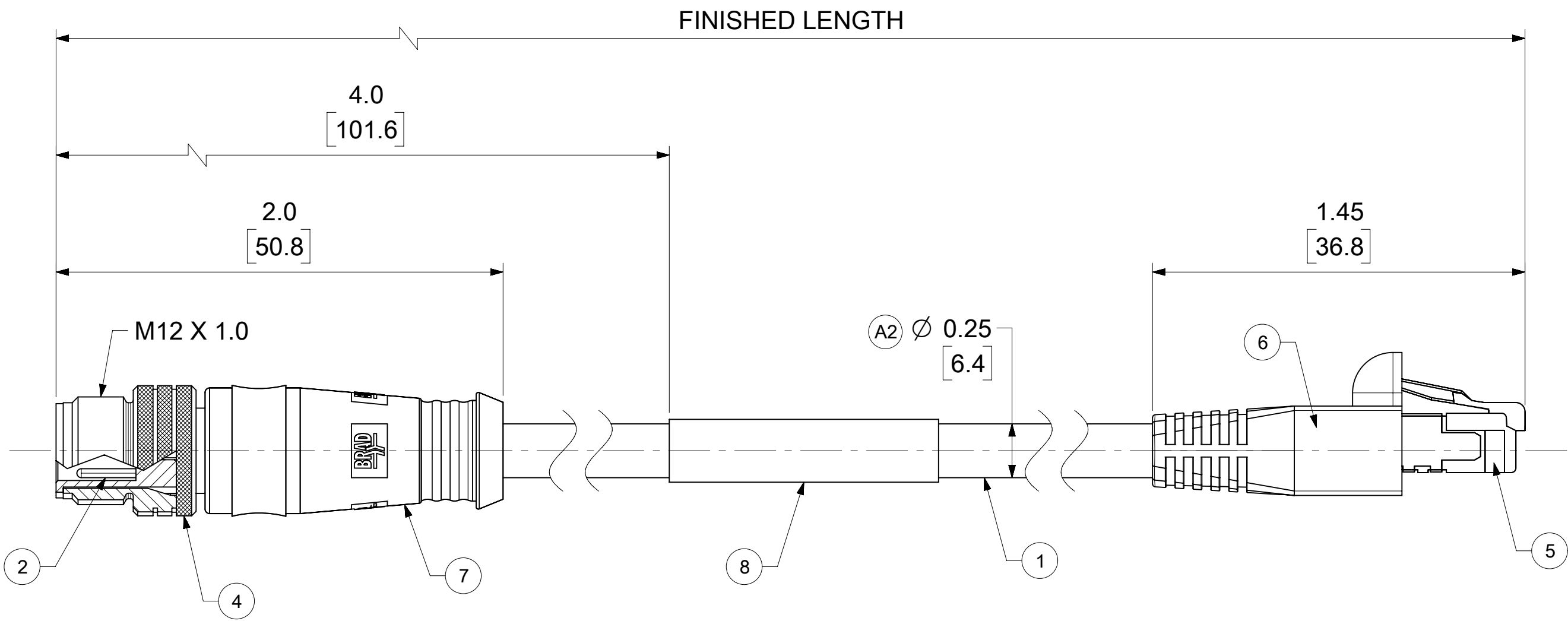
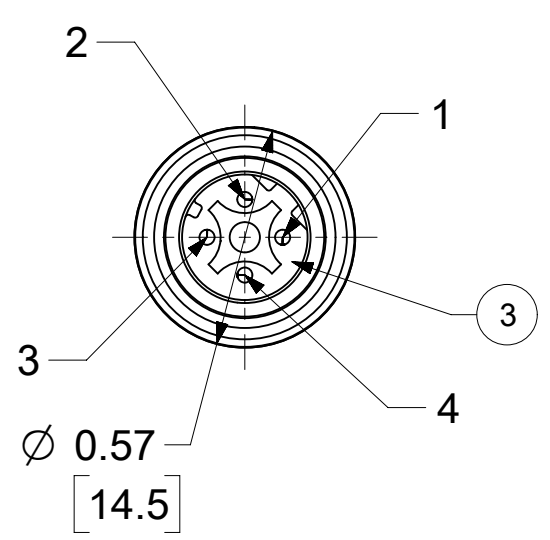
(A2) PART NO. MATRIX
E16A06002M100

FINISHED LENGTH
M005= 0.5 METER
M010= 1 METER
M150= 15 METER

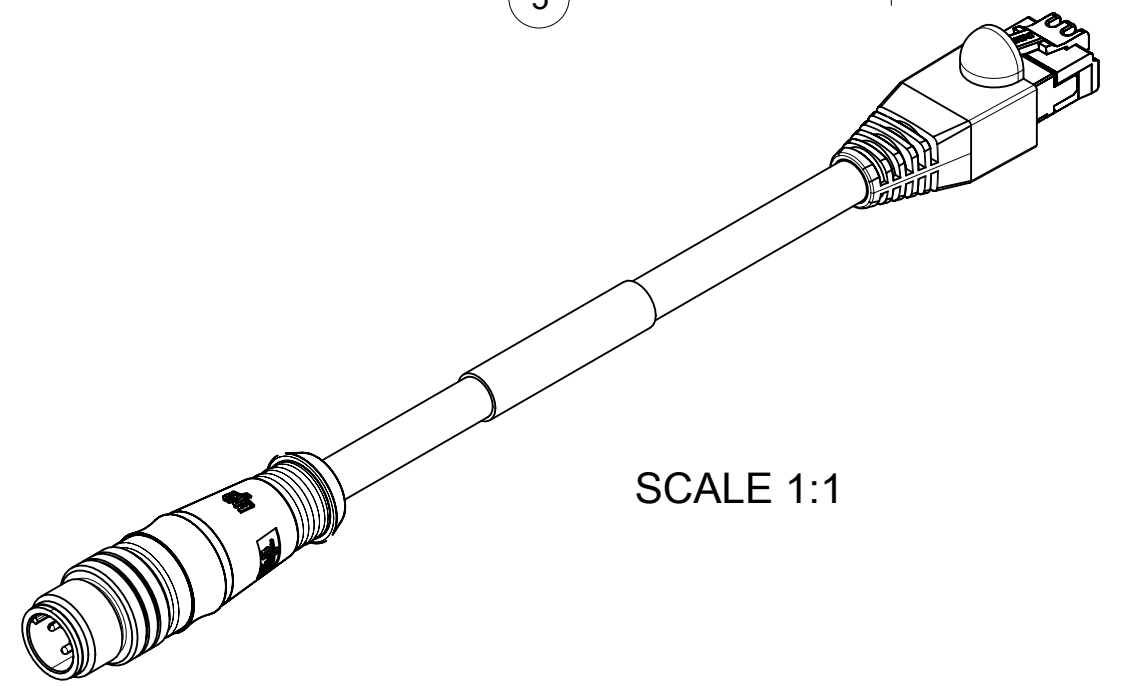
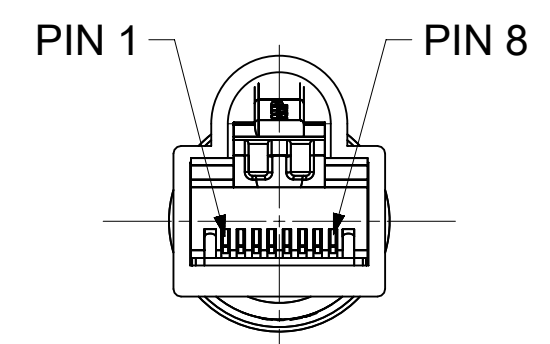
(A2) CABLE LENGTH TOLERANCES

<.3M [1FT]:	+19mm-0 [+.75in-0]
.3 - .9M [1 - 3FT]:	+44.5mm-0 [+1.75in-0]
.9 - 1.8M [3 - 6FT]:	+55.6mm-0 [+2.19in-0]
1.8 - 3.7M [6 - 12FT]:	+88.9mm-0 [+3.50in-0]
3.7 - 7.3M [12 - 24FT]:	+165.1mm-0 [+6.50in-0]
7.3-14.6M [24 - 48FT]:	+317.5mm-0 [+12.50in-0]
14.6 - 30.5M [48-100FT]:	+622.3mm-0 [+24.50in-0]
OVER 30M [100FT]	+2% OF FINISHED LENGTH

M12 4 POLE MALE



RJ45 MALE



8	LABEL	VINYL	BLACK/WHITE
7	OVERMOLD	TPU	BLACK
6	RJ45 BOOT, HOODED	PVC	BLACK
5	RJ45 PLUG	POLYCARBONATE	TRANSPARENT
4	COUPLING NUT M12 MALE	BRASS	NICKEL
3	INSERT D-CODE 4 POLE MALE	PUR	BLACK
2	CONTACT PIN	COPPER ALLOY	GOLD PLATED
1	CABLE, ETHERNET, 24-4	PVC JACKET	TEAL
ITEM	DESCRIPTION	MATERIAL	FINISH

FUNCTIONAL SYMBOLS	THIS DRAWING CONTAINS INFORMATION THAT IS PROPRIETARY TO MOLEX ELECTRONIC TECHNOLOGIES, LLC AND SHOULD NOT BE USED WITHOUT WRITTEN PERMISSION		CURRENT REV DESC: ADDED UL, MODIFIED MATERIAL TABLE, TOLERANCE CHART, PART NO. MATRIX & CABLE DIA ADDED.	
	DIMENSION UNITS	SCALE		
$\frac{F}{A} = 0$	INCH/MM	2:1		
$\frac{F}{C} = 0$	GENERAL TOLERANCES (UNLESS SPECIFIED)			
$\frac{F}{P} = 0$		MM	INCH	
DIVISIONAL SYMBOLS	4 PLACES	±	±	
	3 PLACES	±	±	
	2 PLACES	±	±	
	1 PLACE	±	±	
	0 PLACES	±	±	
	ANGULAR TOL	±	°	
DRAFT WHERE APPLICABLE MUST REMAIN WITHIN DIMENSIONS		THIRD ANGLE PROJECTION	DRAWING	SERIES
			C-SIZE	130048
DOCUMENT STATUS		RELEASE DATE	DOC TYPE	DOC PART
P1		2020/11/18 23:03:28	PSD	001
DOCUMENT NUMBER		CUSTOMER	SHEET NUMBER	
SD-130048-004		GENERAL MARKET	1 OF 1	

molex

MICRO-CHANGE CORDSET
M12 D-CODE 4 POLE-RJ45, MALE, STRAIGHT, 24-4 AWG CAT-5E

PRODUCT CUSTOMER DRAWING

DOCUMENT NUMBER: SD-130048-004
DOC TYPE: PSD
DOC PART: 001
REVISION: A2

MATERIAL NUMBER: SEE TABLE
CUSTOMER: GENERAL MARKET
SHEET NUMBER: 1 OF 1