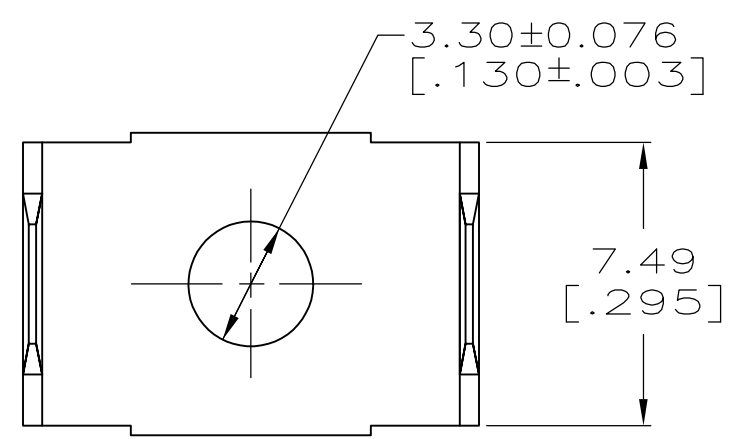
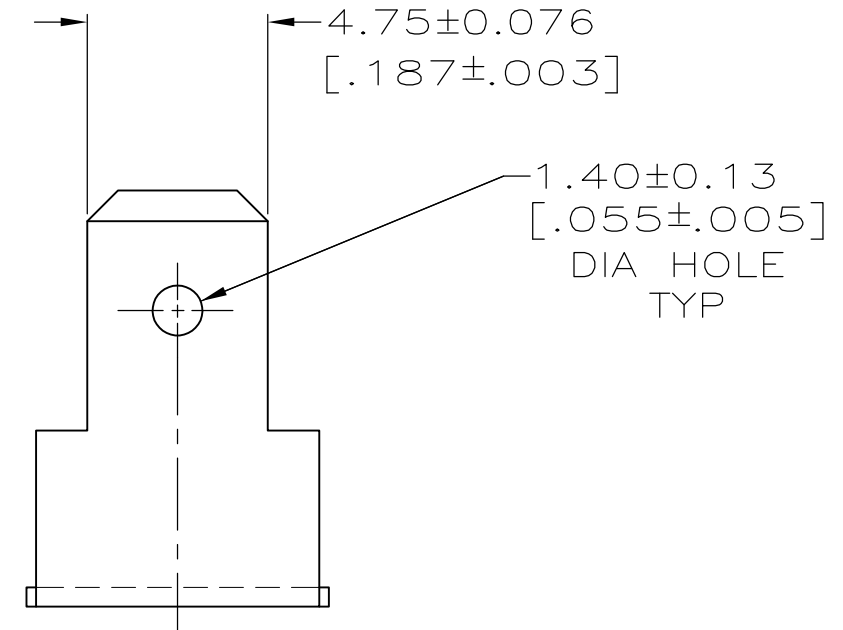
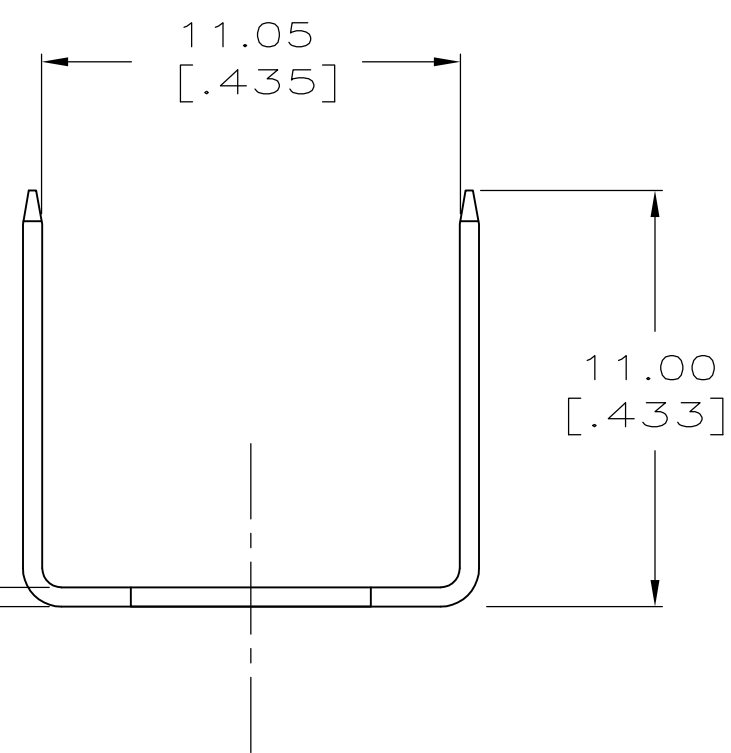


THIS DRAWING IS UNPUBLISHED.      RELEASED FOR PUBLICATION  
 © COPYRIGHT - By -      ALL RIGHTS RESERVED.

LOC	DIST	REVISIONS			
P	LTR	DESCRIPTION	DATE	DWN	APVD
AF	50	D	REVISED PER ECR-13-011489	05DEC2013	KH PD



1 CONTINUOUS STRIP ON REELS.



61951-1  
PART NO.

THIS DRAWING IS A CONTROLLED DOCUMENT.		DWN	JR RUTH	30JUN99	 TE Connectivity	NAME		RESTRICTED TO	
DIMENSIONS: mm [INCHES]		CHK	MS FEHER	30JUN99		PRODUCT SPEC			TAB, FASTON, .187 SERIES  SIZE    CAGE CODE    DRAWING NO    RESTRICTED TO A3 00779    C-61951    -
TOLERANCES UNLESS OTHERWISE SPECIFIED:		APVD	P DESANTIS	30JUN99		APPLICATION SPEC			
0 PLC    ± - 1 PLC    ± - 2 PLC    ± 0.38 [.015] 3 PLC    ± - 4 PLC    ± - ANGLES    ± -		MATERIAL		FINISH		SCALE			
BRASS		TIN		CUSTOMER DRAWING		5:1			
				SHEET		1 OF 1		REV	
								D	