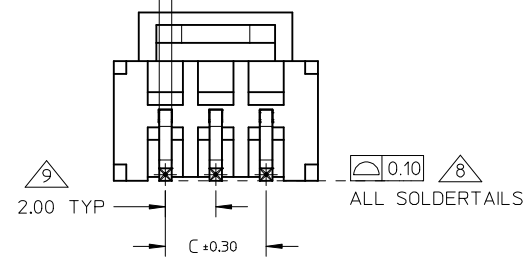
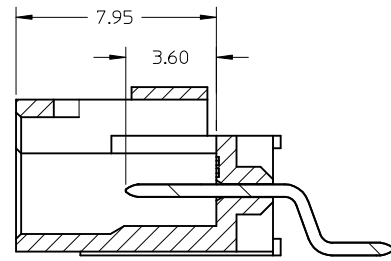
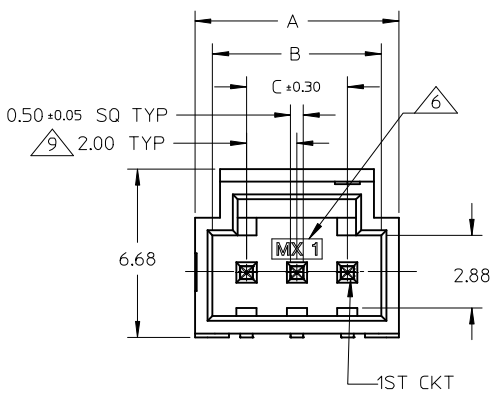
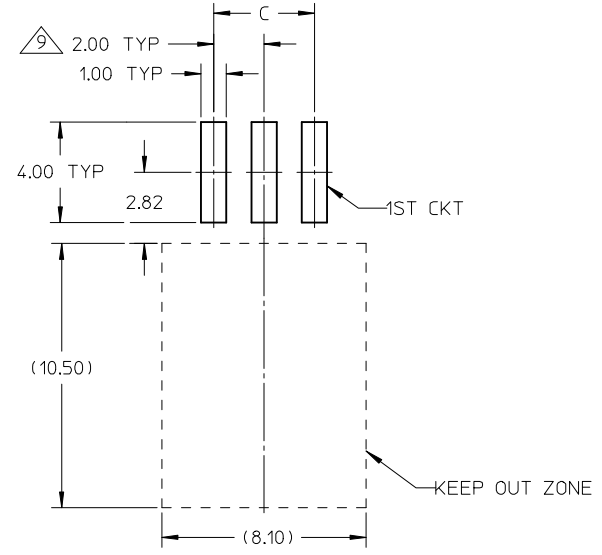
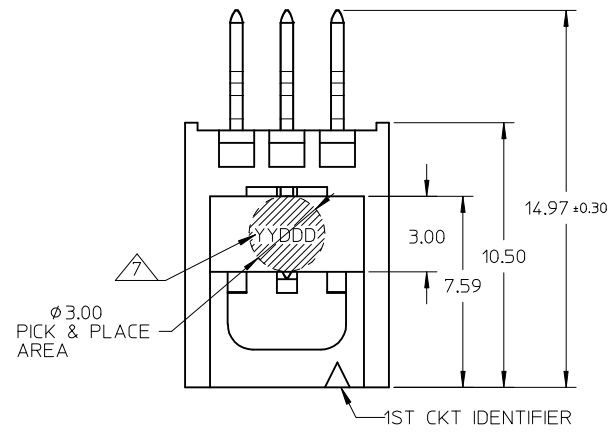


RECOMMENDED PCB LAYOUT
GENERAL TOLERANCE: ±0.05

CKT SIZE	DIMENSION			
	A	B	C	D
2	6.10	4.70	2.00	3.00
3	8.10	6.70	4.00	5.00
4	10.10	8.70	6.00	7.00
5	12.10	10.70	8.00	9.00
6	14.10	12.70	10.00	11.00
7	16.10	14.70	12.00	13.00
8	18.10	16.70	14.00	15.00
9	20.10	18.70	16.00	17.00
10	22.10	20.70	18.00	19.00

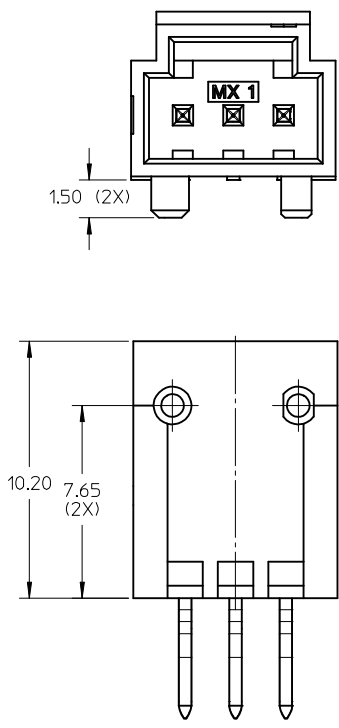


SECTION Z-Z

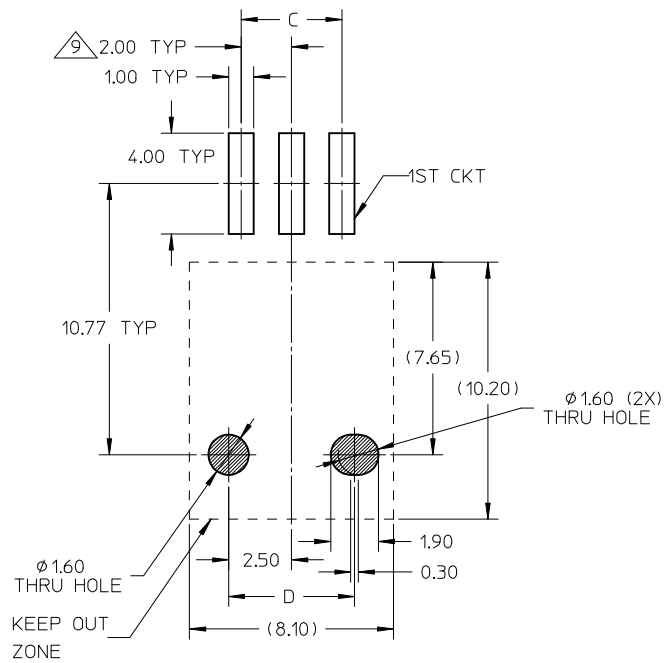
- NOTES:
- MATERIAL:
HOUSING: LIQUID CRYSTALLINE POLYMERS (LCP), GLASS FILLED, UL94V-0, BLACK.
PIN: COPPER ALLOY, 0.50MM SQ
 - PLATING: SEE TABLE.
 - PRODUCT SPECIFICATION: PS-151062-0001.
 - PACKAGING SPECIFICATION: PK-151062-0001.
 - TO BE MATED WITH MOLEX RECEPTACLES SERIES: 151100.
 - MANUFACTURING ID & CAVITY ID SHALL BE LOCATED APPROXIMATELY AS SHOWN.
 - DATE CODE: YYDDD IS LOCATED APPROXIMATELY AS SHOWN.
 - COPLANARITY TO BE MEASURED BY RESTING THE SOLDER TAIL ON FLAT/GAUGE SURFACE.
 - PITCH TOLERANCE SHALL BE NON ACCUMULATED.

RELEASE TO REV A EC NO: S2016-0665 DRWN:FCS00 2016/01/27 CHKD:CGOH 2016/02/16 APPR:KHLIM 2016/02/16	QUALITY SYMBOLS $F_A=0$ $F_C=0$ $F_P=0$	GENERAL TOLERANCES (UNLESS SPECIFIED)		DIMENSION STYLE MM ONLY		SCALE NTS	DESIGN UNITS METRIC	THIRD ANGLE PROJECTION		
			mm	INCH	DRAWN BY	DATE	TITLE			
		4 PLACES	± ---	± ---	FCS00	2014/12/17	SALES DRAWING PCB HEADER, RA SMT SINGLE ROW MILLIGRID			
		3 PLACES	± ---	± ---	CHECKED BY	DATE				
2 PLACES	± 0.20	± ---	FCS00	2014/12/17	molex					
1 PLACE	± ---	± ---	APPROVED BY	DATE						
0 PLACE	± ---	± ---	KHLIM	2015/07/02	MATERIAL NO.		DOCUMENT NO.		SHEET NO.	
DRAFT WHERE APPLICABLE MUST REMAIN WITHIN DIMENSIONS		ANGULAR ± 3 °		SEE TABLE		SD-151064-0001		1 OF 3		
THIS DRAWING CONTAINS INFORMATION THAT IS PROPRIETARY TO MOLEX INCORPORATED AND SHOULD NOT BE USED WITHOUT WRITTEN PERMISSION										

WITH PEG



RECOMMENDED PCB LAYOUT
GENERAL TOLERANCE: ±0.05



RELEASE TO REV A EC NO: S2016-0665 DRWN:FCS00 2016/01/27 CHKD:CGOH 2016/02/16 APPR:KHLIM 2016/02/16	DESCRIPTION REV	QUALITY SYMBOLS	GENERAL TOLERANCES (UNLESS SPECIFIED)	DIMENSION STYLE MM ONLY	SCALE NTS	DESIGN UNITS METRIC	THIRD ANGLE PROJECTION	
		$\nabla_A = 0$ $\nabla_C = 0$ $\nabla_P = 0$	mm INCH 4 PLACES ± --- ± --- 3 PLACES ± --- ± --- 2 PLACES ± 0.20 ± --- 1 PLACE ± --- ± --- 0 PLACE ± --- ± ---	DRAWN BY: FCS00 DATE: 2014/12/17 CHECKED BY: DATE: 2014/12/17 APPROVED BY: KHLIM DATE: 2015/07/02	TITLE	SALES DRAWING PCB HEADER, RA SMT SINGLE ROW MILLIGRID		
		ANGULAR ± 3 ° DRAFT WHERE APPLICABLE MUST REMAIN WITHIN DIMENSIONS	MATERIAL NO. SEE TABLE	DOCUMENT NO. SD-151064-0001	SHEET NO. 2 OF 3			
		THIS DRAWING CONTAINS INFORMATION THAT IS PROPRIETARY TO MOLEX INCORPORATED AND SHOULD NOT BE USED WITHOUT WRITTEN PERMISSION						

ASSEMBLY

151064 - X X X X

02 - 10	2-10 CKT W/O PEG
52 - 60	2-10 CKT WITH PEG
	52 = 2CKT
	53 = 3CKT
	.
	59 = 9CKT
	60 = 10CKT

PLATING	
0	FULL TIN
1	Au FLASH
2	0.38 Au
3	0.75 Au
4	OTHER OPTIONS
5	
6	
7	
8	
9	

PACKAGING	
0	TAPE & REEL
1	TUBE
	OTHER OPTIONS

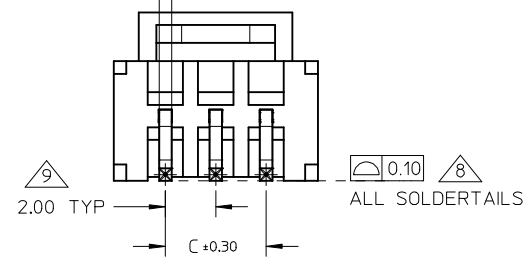
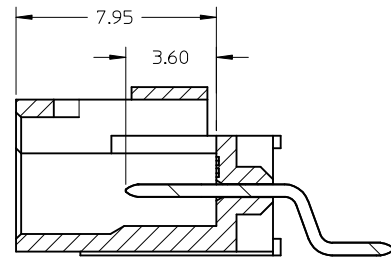
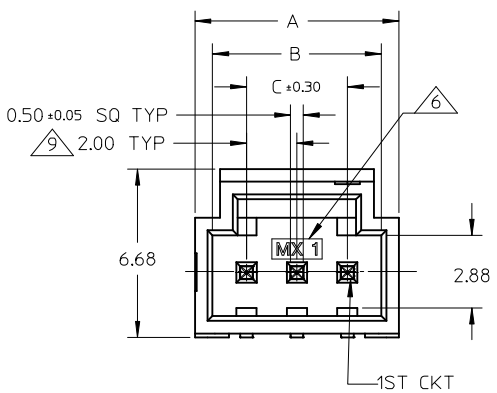
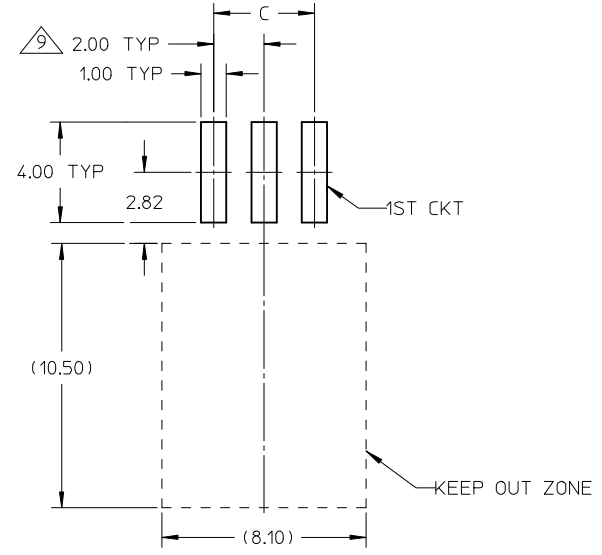
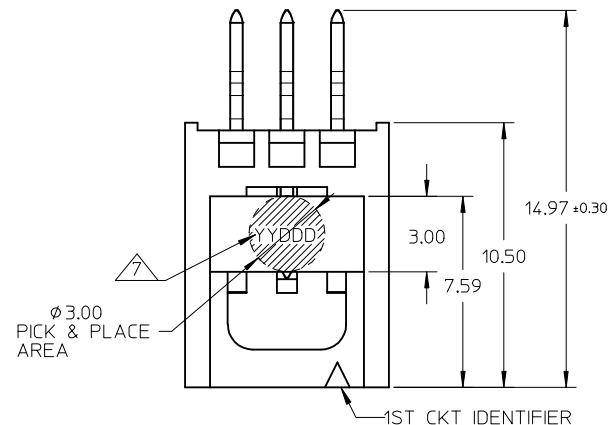
PLATING OPTIONS	
-*0**	2.50µm MIN. TIN ON CONTACT AND 2.00µm MIN. TIN (MATTE) ON SOLDERTAIL OVER 1.25µm MIN. NICKEL OVERALL
-*1**	0.05µm MIN. GOLD PLATE ON CONTACT AND 2.00µm MIN. TIN(MATTE) ON SOLDERTAIL OVER 1.25µm MIN. NICKEL OVERALL.
-*2**	0.38µm MIN. GOLD PLATE ON CONTACT AND 2.00µm MIN. TIN(MATTE) ON SOLDERTAIL OVER 1.25µm MIN. NICKEL OVERALL.
-*3**	0.75µm MIN. GOLD PLATE ON CONTACT AND 2.00µm MIN. TIN(MATTE) ON SOLDERTAIL OVER 1.25µm MIN. NICKEL OVERALL.

PACKAGING OPTIONS	
TAPE & REEL	151000-4***
PACKAGING TUBE	151000-3015

RELEASE TO REV A EC NO: S2016-0665 DRWN:FCS00 2016/01/27 CHKD:CGOH 2016/02/16 APPR:KHLIM 2016/02/16	REV DESCRIPTION A	QUALITY SYMBOLS	GENERAL TOLERANCES (UNLESS SPECIFIED)	DIMENSION STYLE	SCALE	DESIGN UNITS	THIRD ANGLE PROJECTION
		$\nabla_A = 0$ $\nabla_C = 0$ $\nabla_P = 0$	mm INCH	MM ONLY	NTS	METRIC	
		4 PLACES ± --- ± --- 3 PLACES ± --- ± --- 2 PLACES ± 0.20 ± --- 1 PLACE ± --- ± --- 0 PLACE ± --- ± ---	DRAWN BY DATE FCS00 2014/12/17 CHECKED BY DATE FCS00 2014/12/17 APPROVED BY DATE KHLIM 2015/07/02	TITLE	SALES DRAWING PCB HEADER, RA SMT SINGLE ROW MILLIGRID		
		ANGULAR ± 3 ° DRAFT WHERE APPLICABLE MUST REMAIN WITHIN DIMENSIONS	MATERIAL NO. SEE TABLE SIZE A3	DOCUMENT NO. SD-151064-0001	SHEET NO. 3 OF 3		

RECOMMENDED PCB LAYOUT
GENERAL TOLERANCE: ±0.05

CKT SIZE	DIMENSION			
	A	B	C	D
2	6.10	4.70	2.00	3.00
3	8.10	6.70	4.00	5.00
4	10.10	8.70	6.00	7.00
5	12.10	10.70	8.00	9.00
6	14.10	12.70	10.00	11.00
7	16.10	14.70	12.00	13.00
8	18.10	16.70	14.00	15.00
9	20.10	18.70	16.00	17.00
10	22.10	20.70	18.00	19.00

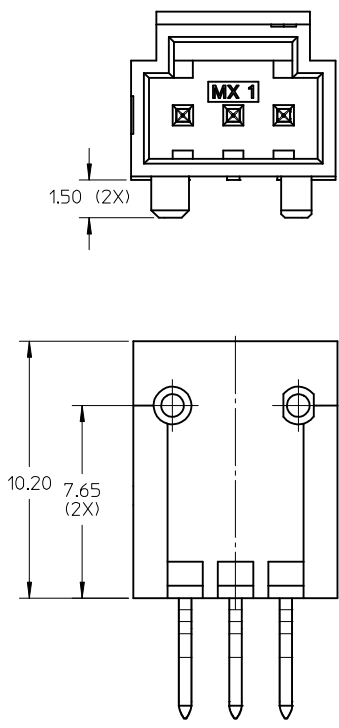


SECTION Z-Z

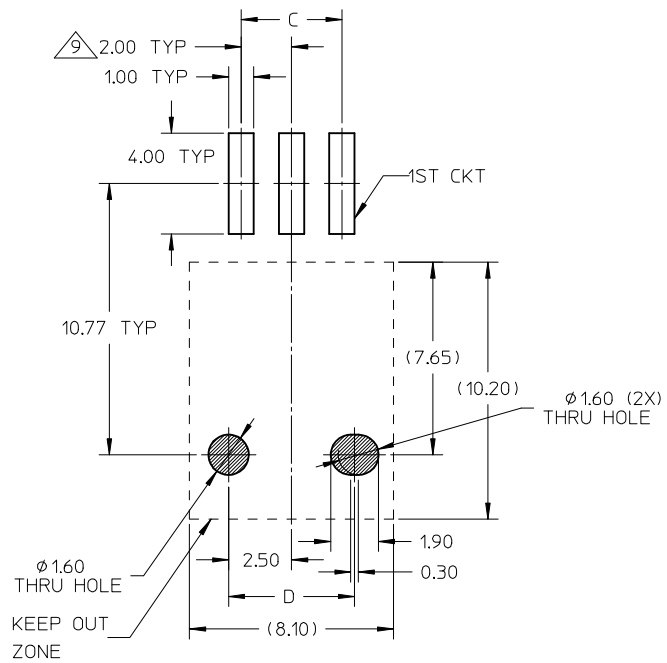
- NOTES:
- MATERIAL:
HOUSING: LIQUID CRYSTALLINE POLYMERS (LCP), GLASS FILLED, UL94V-0, BLACK.
PIN: COPPER ALLOY, 0.50MM SQ
 - PLATING: SEE TABLE.
 - PRODUCT SPECIFICATION: PS-151062-0001.
 - PACKAGING SPECIFICATION: PK-151062-0001.
 - TO BE MATED WITH MOLEX RECEPTACLES SERIES: 151100.
 - MANUFACTURING ID & CAVITY ID SHALL BE LOCATED APPROXIMATELY AS SHOWN.
 - DATE CODE: YYDDD IS LOCATED APPROXIMATELY AS SHOWN.
 - COPLANARITY TO BE MEASURED BY RESTING THE SOLDER TAIL ON FLAT/GAUGE SURFACE.
 - PITCH TOLERANCE SHALL BE NON ACCUMULATED.

RELEASE TO REV A EC NO: S2016-0665 DRWN:FCS00 2016/01/27 CHKD:CGOH 2016/02/16 APPR:KHLIM 2016/02/16	QUALITY SYMBOLS $F_A=0$ $F_C=0$ $F_P=0$	GENERAL TOLERANCES (UNLESS SPECIFIED)		DIMENSION STYLE MM ONLY		SCALE NTS	DESIGN UNITS METRIC	THIRD ANGLE PROJECTION		
		4 PLACES	± ---	± ---	DRAWN BY	DATE	TITLE			
		3 PLACES	± ---	± ---	CHECKED BY	DATE	SALES DRAWING PCB HEADER, RA SMT SINGLE ROW MILLIGRID			
		2 PLACES	± 0.20	± ---	FCS00	2014/12/17				
1 PLACE	± ---	± ---	APPROVED BY	DATE						
0 PLACE	± ---	± ---	KHLIM	2015/07/02						
ANGULAR ± 3 °		DRAFT WHERE APPLICABLE MUST REMAIN WITHIN DIMENSIONS		MATERIAL NO. SEE TABLE		DOCUMENT NO. SD-151064-0001		SHEET NO. 1 OF 3		
THIS DRAWING CONTAINS INFORMATION THAT IS PROPRIETARY TO MOLEX INCORPORATED AND SHOULD NOT BE USED WITHOUT WRITTEN PERMISSION										

WITH PEG



RECOMMENDED PCB LAYOUT
GENERAL TOLERANCE: ±0.05



RELEASE TO REV A EC NO: S2016-0665 DRWN:FCS00 2016/01/27 CHKD:CGOH 2016/02/16 APPR:KHLIM 2016/02/16	DESCRIPTION REV	QUALITY SYMBOLS	GENERAL TOLERANCES (UNLESS SPECIFIED)	DIMENSION STYLE	SCALE	DESIGN UNITS	THIRD ANGLE PROJECTION	
		$\nabla_A = 0$ $\nabla_C = 0$ $\nabla_P = 0$	mm INCH 4 PLACES ± --- ± --- 3 PLACES ± --- ± --- 2 PLACES ± 0.20 ± --- 1 PLACE ± --- ± --- 0 PLACE ± --- ± ---	MM ONLY	NTS	METRIC		
			ANGULAR ± 3 ° DRAFT WHERE APPLICABLE MUST REMAIN WITHIN DIMENSIONS	DRAWN BY: FCS00 DATE: 2014/12/17 CHECKED BY: DATE: APPROVED BY: KHLIM DATE: 2015/07/02 MATERIAL NO.	TITLE	SALES DRAWING PCB HEADER, RA SMT SINGLE ROW MILLIGRID		
			SEE TABLE	DOCUMENT NO. SD-151064-0001 SHEET NO. 2 OF 3				

ASSEMBLY

151064 - X X X X

02 - 10	2-10 CKT W/O PEG
52 - 60	2-10 CKT WITH PEG
	52 = 2CKT
	53 = 3CKT
	.
	59 = 9CKT
	60 = 10CKT

PLATING	
0	FULL TIN
1	Au FLASH
2	0.38 Au
3	0.75 Au
4	OTHER OPTIONS
5	
6	
7	
8	
9	

PACKAGING	
0	TAPE & REEL
1	TUBE
	OTHER OPTIONS

PLATING OPTIONS	
-x0**	2.50µm MIN. TIN ON CONTACT AND 2.00µm MIN. TIN (MATTE) ON SOLDERTAIL OVER 1.25µm MIN. NICKEL OVERALL
-x1**	0.05µm MIN. GOLD PLATE ON CONTACT AND 2.00µm MIN. TIN (MATTE) ON SOLDERTAIL OVER 1.25µm MIN. NICKEL OVERALL.
-x2**	0.38µm MIN. GOLD PLATE ON CONTACT AND 2.00µm MIN. TIN (MATTE) ON SOLDERTAIL OVER 1.25µm MIN. NICKEL OVERALL.
-x3**	0.75µm MIN. GOLD PLATE ON CONTACT AND 2.00µm MIN. TIN (MATTE) ON SOLDERTAIL OVER 1.25µm MIN. NICKEL OVERALL.

PACKAGING OPTIONS	
TAPE & REEL	151000-4***
PACKAGING TUBE	151000-3015

RELEASE TO REV A EC NO: S2016-0665 DRWN:FCS00 2016/01/27 CHKD:CGOH 2016/02/16 APPR:KHLIM 2016/02/16	REV DESCRIPTION A	QUALITY SYMBOLS	GENERAL TOLERANCES (UNLESS SPECIFIED)	DIMENSION STYLE	SCALE	DESIGN UNITS	THIRD ANGLE PROJECTION	
		$\nabla_A = 0$ $\nabla_C = 0$ $\nabla_P = 0$	mm INCH 4 PLACES ± --- ± --- 3 PLACES ± --- ± --- 2 PLACES ± 0.20 ± --- 1 PLACE ± --- ± --- 0 PLACE ± --- ± ---	MM ONLY	NTS	METRIC	SALES DRAWING PCB HEADER, RA SMT SINGLE ROW MILLIGRID	
		ANGULAR ± 3 ° DRAFT WHERE APPLICABLE MUST REMAIN WITHIN DIMENSIONS	DRAWN BY DATE FCS00 2014/12/17 CHECKED BY DATE FCS00 2014/12/17 APPROVED BY DATE KHLIM 2015/07/02	TITLE MATERIAL NO. SEE TABLE	DOCUMENT NO. SD-151064-0001	SHEET NO. 3 OF 3		
		THIS DRAWING CONTAINS INFORMATION THAT IS PROPRIETARY TO MOLEX INCORPORATED AND SHOULD NOT BE USED WITHOUT WRITTEN PERMISSION						