

4

3

2

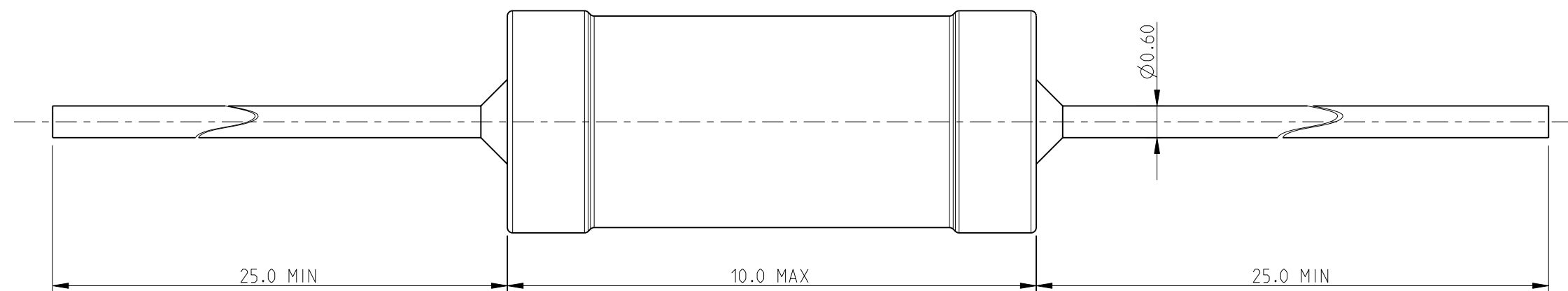
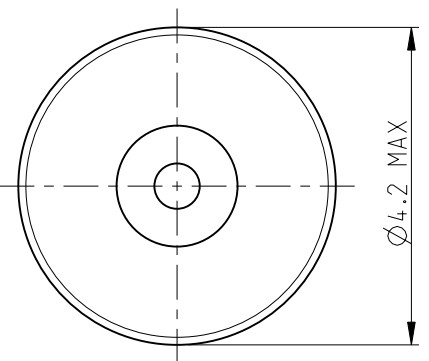
1

THIS DRAWING IS UNPUBLISHED. RELEASED FOR PUBLICATION 2010

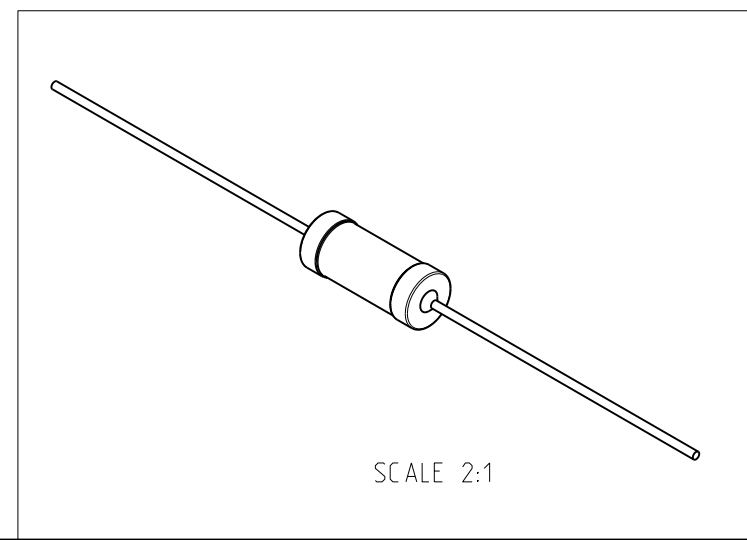
© COPYRIGHT 2010 BY TYCO ELECTRONICS CORPORATION. ALL RIGHTS RESERVED.

| LOC | DIST | REVISIONS | | | |
|-----|------|-------------|-------------|-----------|----------|
| P | LTR | DESCRIPTION | DATE | DWN | APVD |
| E | B | BA | NEW RELEASE | 04-MAR-10 | MRS St.P |

FOR FURTHER INFORMATION SEE DATA SHEET FOR
SERIES SC - AXIAL LEADED POWER INDUCTORS



RoHS Compliant



| | | | | |
|---|--|---|---|--|
| <small>THIS DRAWING IS A CONTROLLED DOCUMENT FOR TYCO ELECTRONICS CORPORATION IT IS SUBJECT TO CHANGE AND THE CONTROLLING ENGINEERING ORGANIZATION SHOULD BE CONTACTED FOR THE LATEST REVISION.</small> | | DWN 04-MAR-10 MAHARUDRA | Tyco Electronics Corporation Dorcan, Swindon, SN3 5HH | |
| DIMENSIONS: mm | | CHK 04-MAR-10 ALLAN.P | NAME AXIAL LEADED POWER INDUCTORS SERIES SC10 | |
| | | APVD 04-MAR-10 STEPHEN.P | SIZE CAGE CODE DRAWING NO RESTRICTED TO A3 00779 C=1623946 - | |
| MATERIAL - | | PRODUCT SPEC - APPLICATION SPEC - WEIGHT - | SCALE 10:1 SHEET 1 OF 1 REV BA | |
| TOLERANCES UNLESS OTHERWISE SPECIFIED: 0 PLC ±0.2 1 PLC ±0.1 2 PLC ±- 3 PLC ±- 4 PLC ±- ANGLES ±5° FINISH - | | CUSTOMER DRAWING | | |