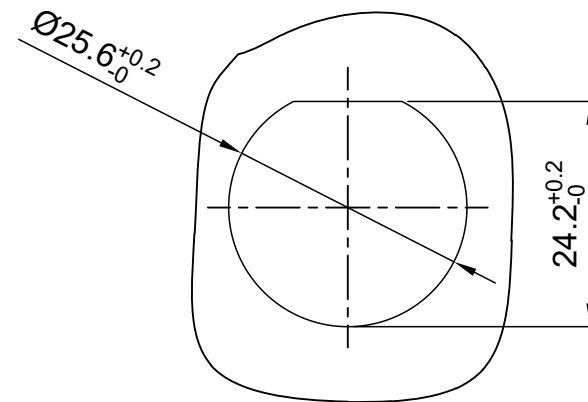
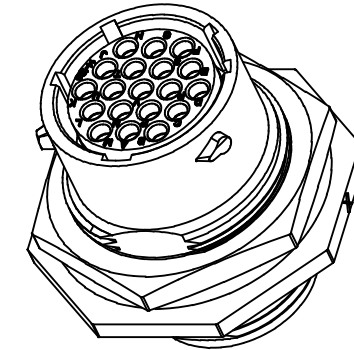
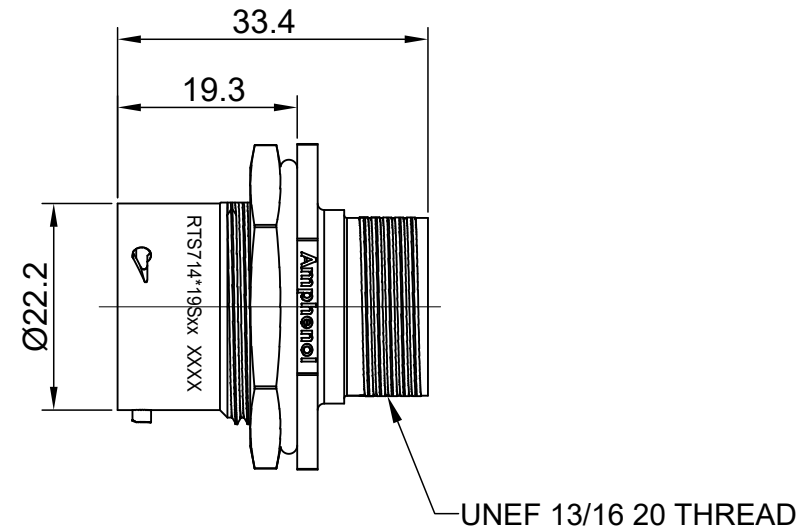
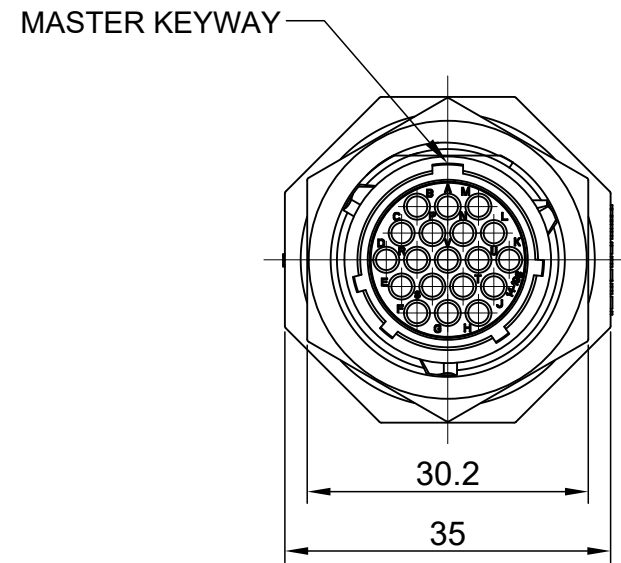


| REVISIONS |     |                  |             |       |       |
|-----------|-----|------------------|-------------|-------|-------|
| REV       | ECO | DESCRIPTION      | DATE        | BY    | APPR  |
| A1        | --  | RELEASED DRAWING | MAY-09-16   | JONY  | TOMMY |
| A2        | --  | UPDATE NOTES     | Jun-22-2017 | Nick  | TOMMY |
| A3        | --  | UPDATE DRAWING   | Mar-20-2018 | White | Tommy |



PANEL CUTOUT REFERENCE THICKNESS:3.2MM (MAX)

NOTES : (UNLESS OTHERWISE SPECIFIED)

- MATERIAL :  
SHELL : THERMOPLASTIC , UL94 V-0.  
INSERT : THERMOPLASTIC , UL94 V-0.  
O-RING : NBR OR SILICONE RUBBER.  
SEAL GASKET : NBR OR SILICONE RUBBER.  
JAM NUT : ALUMINIUM ALLOY , BLACK ANODIZING.
- SPECIFICATIONS :  
2.1 RATED CURRENT : 5A (MAX).  
2.2 RATED VOLTAGE : 250V(AC/DC).  
2.3 OPERATING TEMPERATURE : SEE TABLE.  
2.4 DIELECTRIC WITHSTANDING VOLTAGE : LESS THAN 2 MILLIAMPS CURRENT LEAKAGE@2000 VOLTS AC.  
2.5 INSULATION RESISTANCE : 5000 MEGOHMS MIN.  
2.6 IP CLASS : IP67 AND IP69K IN THE MATED CONDITION, PANEL EXTERNAL.  
2.7 MATING CYCLES DURABILITY : 500 CYCLES MIN.  
2.8 RoHS COMPLIANT.
- SUITABLE CONTACTS : 20# CONTACT.
- ALL DIMENSIONS ARE FOR REFERENCE USE ONLY.

| KEY | PART NUMBER |               |
|-----|-------------|---------------|
|     |             | -40°C ~ 105°C |
| N   | RTS714N19S  | RTS714N19S03  |

| QUANTITY                                                                                                                                                                         | PART NUMBER | DESCRIPTION                                                                                                                                                                                                                                                          | ITEM                                                                           |
|----------------------------------------------------------------------------------------------------------------------------------------------------------------------------------|-------------|----------------------------------------------------------------------------------------------------------------------------------------------------------------------------------------------------------------------------------------------------------------------|--------------------------------------------------------------------------------|
| <b>MATERIALS LIST</b>                                                                                                                                                            |             |                                                                                                                                                                                                                                                                      |                                                                                |
| UNLESS OTHERWISE SPECIFIED<br>1) All dimensions are in metric(mm).<br>2) Tolerances are as follows:<br>1 PL DEC ±0.30<br>2 PL DEC ±0.15<br>3 PL DEC ±0.08<br>3) Note reference = |             | SIGNATURES<br>DRAWN: White<br>CHECKED: Tod<br>ENGINEER:<br>APPROVAL: Tommy                                                                                                                                                                                           | DATE<br>Mar-20-2018<br>Mar-20-2018<br>Mar-20-2018                              |
| MATERIAL SPECIFICATIONS:                                                                                                                                                         |             | <b>Amphenol</b><br>Sine Systems - www.amphenol-sine.com<br>44724 Morley Drive<br>Clinton Township, MI 48036                                                                                                                                                          |                                                                                |
| PROCESS SPECIFICATIONS:                                                                                                                                                          |             | ECO-MATE, RECEPTACLE, JAM NUT,<br>SIZE 14, 19 POS, SOCKET                                                                                                                                                                                                            |                                                                                |
| NEXT ASSY:                                                                                                                                                                       |             | THIS DRAWING IS SUPPLIED FOR INFORMATION ONLY. DESIGN FEATURES, SPECIFICATIONS AND PERFORMANCE DATA SHOWN HEREON ARE THE PROPERTY OF THE AMPHENOL CORPORATION. NO RIGHTS OF REPRODUCTION ARE IMPLIED. ALL DIMENSIONS ARE SUBJECT TO NORMAL MANUFACTURING VARIATIONS. | SIZE: <b>B</b> TYPE: <b>C-</b> DWG NO: <b>RTS714*19Sxx</b> REVISION: <b>A3</b> |
|                                                                                                                                                                                  |             | SCALE: NONE                                                                                                                                                                                                                                                          | SHEET 1 OF 1                                                                   |

TITLE: ECO-MATE RECEPTACLE, JAM NUT, SIZE 14, 19 POS, SOCKET  
DWG NO: RTS714\*19Sxx  
REV: A3  
SH: 1  
OF: 1

## ecomate® RM/RSSM/Aquarius™ - Contact Size 20 Options

| Crimp Contacts, Machined |            |       |                               |            |
|--------------------------|------------|-------|-------------------------------|------------|
| Part Number              |            | AWG   | Wire Range (mm <sup>2</sup> ) | Plating    |
| Male                     | Female     |       |                               |            |
| MP20W23F                 | MS20W23F   | 22-20 | 0.34-0.50                     | Gold Flash |
| MP20W23G5                | MS20W23G5  | 22-20 | 0.34-0.50                     | Gold 5μ"   |
| MP20W23G10               | MS20W23G10 | 22-20 | 0.34-0.50                     | Gold 10μ"  |
| MP20W23G15               | MS20W23G15 | 22-20 | 0.34-0.50                     | Gold 15μ"  |
| MP20W23G30               | MS20W23G30 | 22-20 | 0.34-0.50                     | Gold 30μ"  |
| MP24W23F                 | MS24W23F   | 26-24 | 0.13-0.25                     | Gold Flash |
| MP24W23G5                | MS24W23G5  | 26-24 | 0.13-0.25                     | Gold 5μ"   |
| MP24W23G10               | MS24W23G10 | 26-24 | 0.13-0.25                     | Gold 10μ"  |
| MP24W23G15               | MS24W23G15 | 26-24 | 0.13-0.25                     | Gold 15μ"  |
| MP24W23G30               | MS24W23G30 | 26-24 | 0.13-0.25                     | Gold 30μ"  |
| MP28W23F                 | MS28W23F   | 30-28 | 0.05-0.08                     | Gold Flash |
| MP28W23G5                | MS28W23G5  | 30-28 | 0.05-0.08                     | Gold 5μ"   |
| MP28W23G10               | MS28W23G10 | 30-28 | 0.05-0.08                     | Gold 10μ"  |
| MP28W23G15               | MS28W23G15 | 30-28 | 0.05-0.08                     | Gold 15μ"  |
| MP28W23G30               | MS28W23G30 | 30-28 | 0.05-0.08                     | Gold 30μ"  |

| Tooling, Machined |                                              |
|-------------------|----------------------------------------------|
| Part Number       | Description                                  |
| QXRT20            | Contact Extraction Tool, #20 (Ø 1.0) Contact |
| MFY-3959          | Hand Crimp Tool for Machined Contacts        |
| MFY-3960          | Pneumatic Crimp Tool for Machined Contact    |

| Plating Options, All |                                            |
|----------------------|--------------------------------------------|
| Symbol               | Plating                                    |
| T                    | Tin Plated (for Stamped & Formed Contacts) |
| S                    | Silver Plated 5Um (for Machined Contacts)  |
| F                    | Gold Plated                                |
| G5                   | Gold Plated (Thickness 5μ")                |
| G10                  | Gold Plated (Thickness 10μ")               |
| G15                  | Gold Plated (Thickness 15μ")               |
| G30                  | Gold Plated (Thickness 30μ")               |

| Crimp Contacts, Stamped & Formed |           |       |                               |            |
|----------------------------------|-----------|-------|-------------------------------|------------|
| Part Number                      |           | AWG   | Wire Range (mm <sup>2</sup> ) | Plating    |
| Male                             | Female    |       |                               |            |
| SP20W2F                          | SS20W2F   | 22-20 | 0.34-0.50                     | Gold Flash |
| SP20W2G5                         | SS20W2G5  | 22-20 | 0.34-0.50                     | Gold 5μ"   |
| SP20W2G10                        | SS20W2G10 | 22-20 | 0.34-0.50                     | Gold 10μ"  |
| SP20W2G15                        | SS20W2G15 | 22-20 | 0.34-0.50                     | Gold 15μ"  |
| SP20W2G30                        | SS20W2G30 | 22-20 | 0.34-0.50                     | Gold 30μ"  |
| SP24W2F                          | SS24W2F   | 26-24 | 0.14-0.25                     | Gold Flash |
| SP24W2G5                         | SS24W2G5  | 26-24 | 0.14-0.25                     | Gold 5μ"   |
| SP24W2G10                        | SS24W2G10 | 26-24 | 0.14-0.25                     | Gold 10μ"  |
| SP24W2G15                        | SS24W2G15 | 26-24 | 0.14-0.25                     | Gold 15μ"  |
| SP24W2G30                        | SS24W2G30 | 26-24 | 0.14-0.25                     | Gold 30μ"  |
| SP28W2F                          | SS28W2F   | 30-28 | 0.05-0.08                     | Gold Flash |
| SP28W2G5                         | SS28W2G5  | 30-28 | 0.05-0.08                     | Gold 5μ"   |
| SP28W2G10                        | SS28W2G10 | 30-28 | 0.05-0.08                     | Gold 10μ"  |
| SP28W2G15                        | SS28W2G15 | 30-28 | 0.05-0.08                     | Gold 15μ"  |
| SP28W2G30                        | SS28W2G30 | 30-28 | 0.05-0.08                     | Gold 30μ"  |

| Tooling, Stamped & Formed |                                                        |
|---------------------------|--------------------------------------------------------|
| Part Number               | Description                                            |
| QXRT20                    | Contact Extraction Tool, #20 (Ø 1.0) Contact           |
| MFY-3958                  | Hand Tool, Stamped & Formed Contact, Size 20, 20-28AWG |
| MFY-3957                  | Crimp Die for Stamped & Formed Contact                 |

| Misc Tooling, All |                            |
|-------------------|----------------------------|
| Part Number       | Description                |
| CA-4020-59        | Sealing Plug, Size 16 & 20 |

| Standard Quantity Order Options |                   |
|---------------------------------|-------------------|
| Machined                        | Stamped & Formed  |
| Bulk Package, 500 Pieces        | Reel, 3000 Pieces |