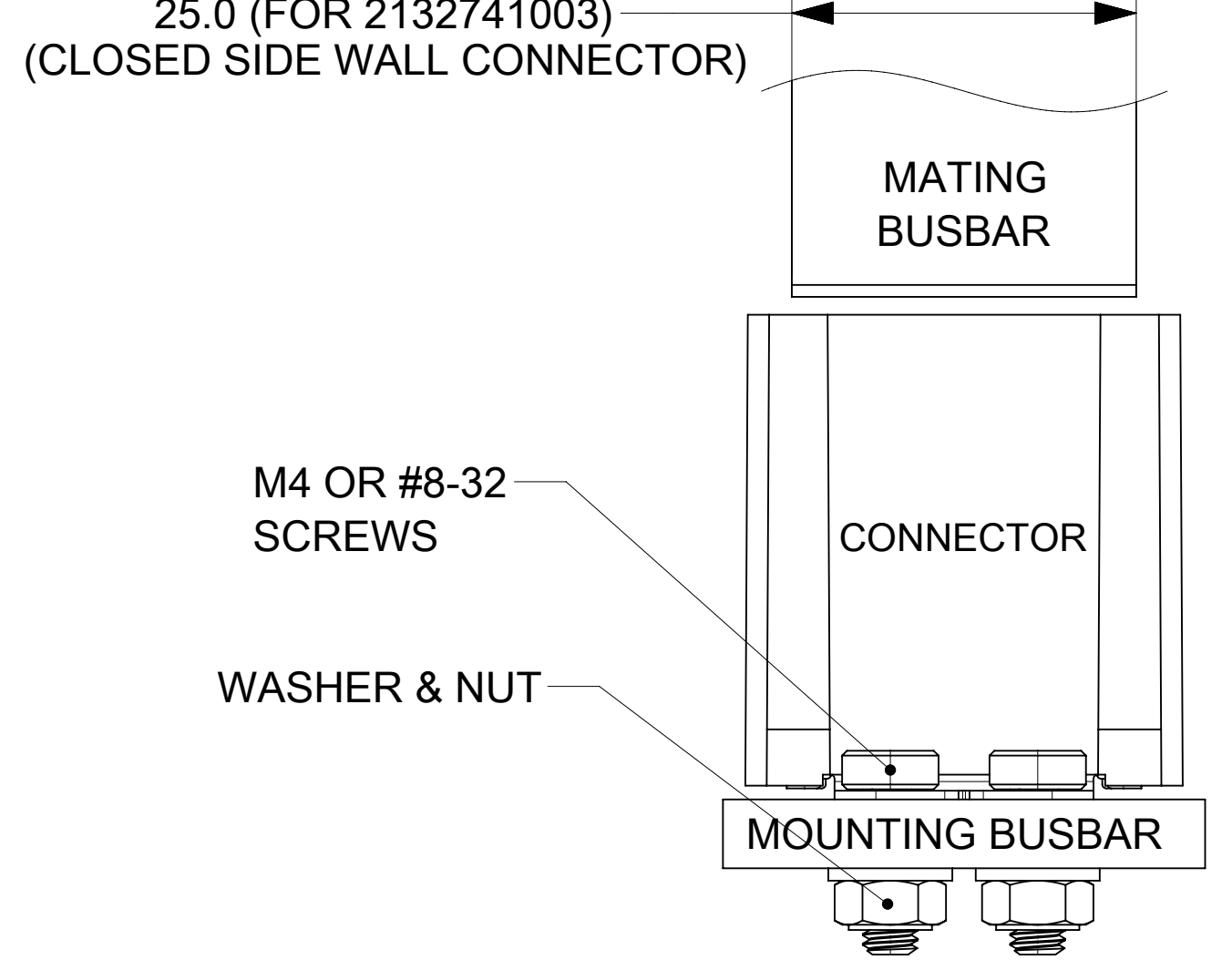
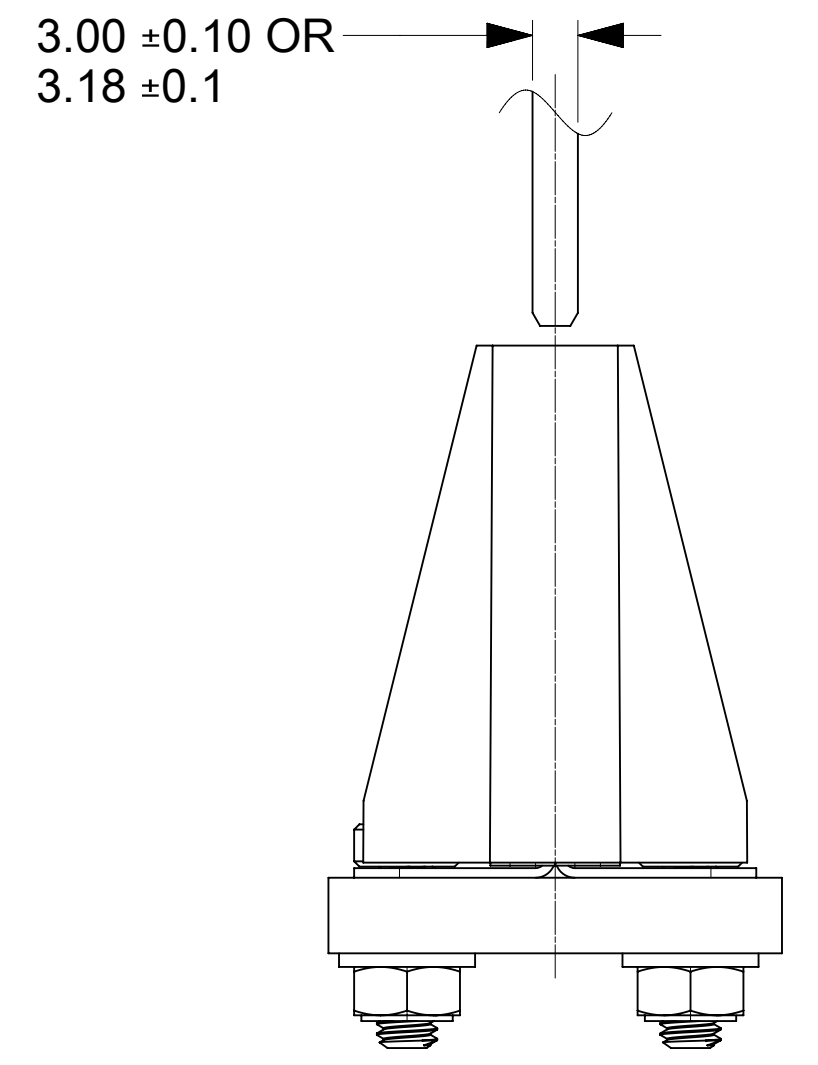
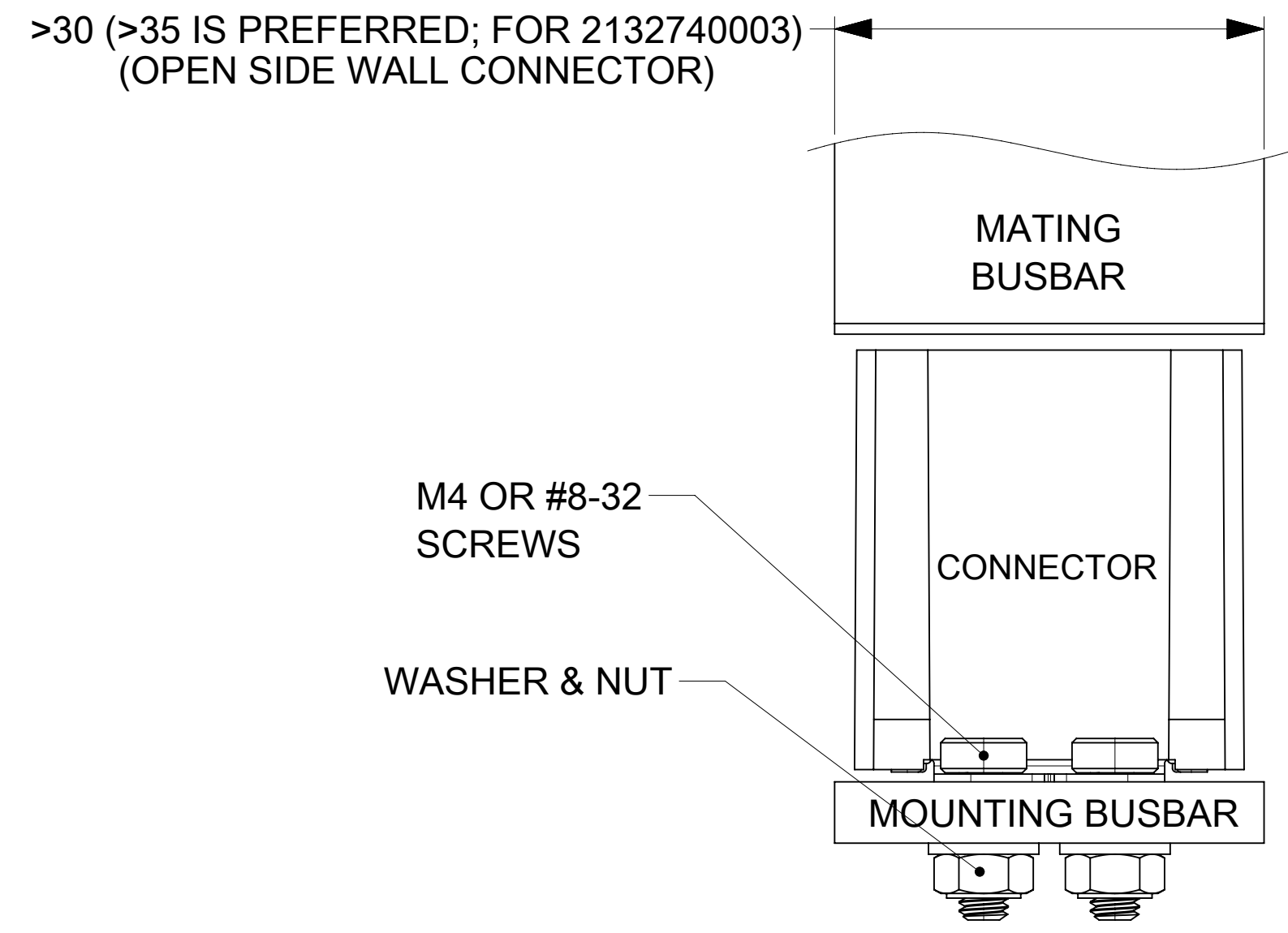
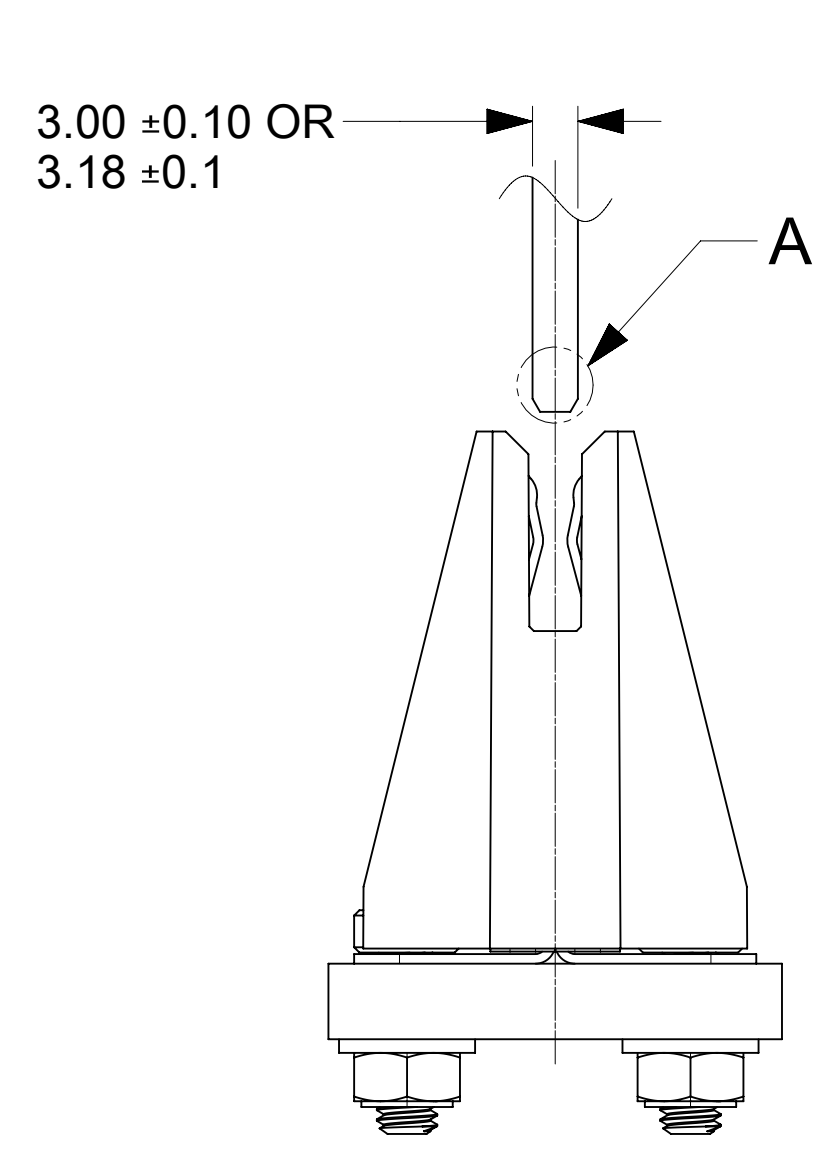
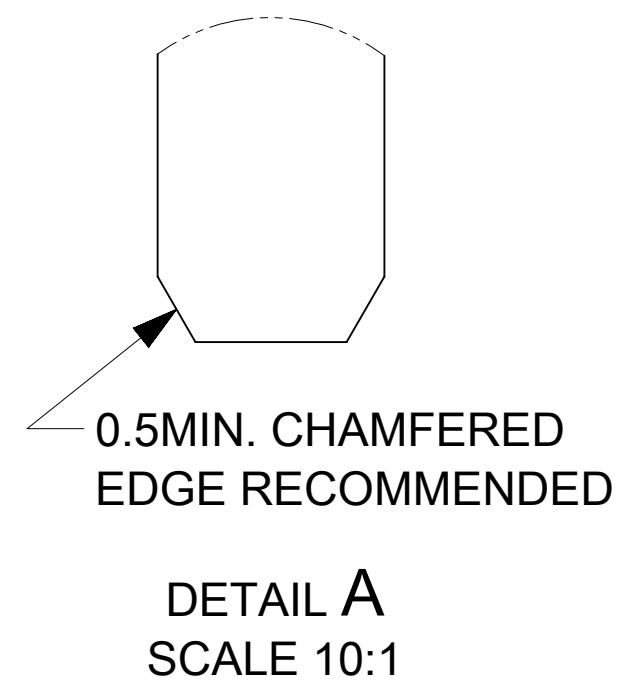
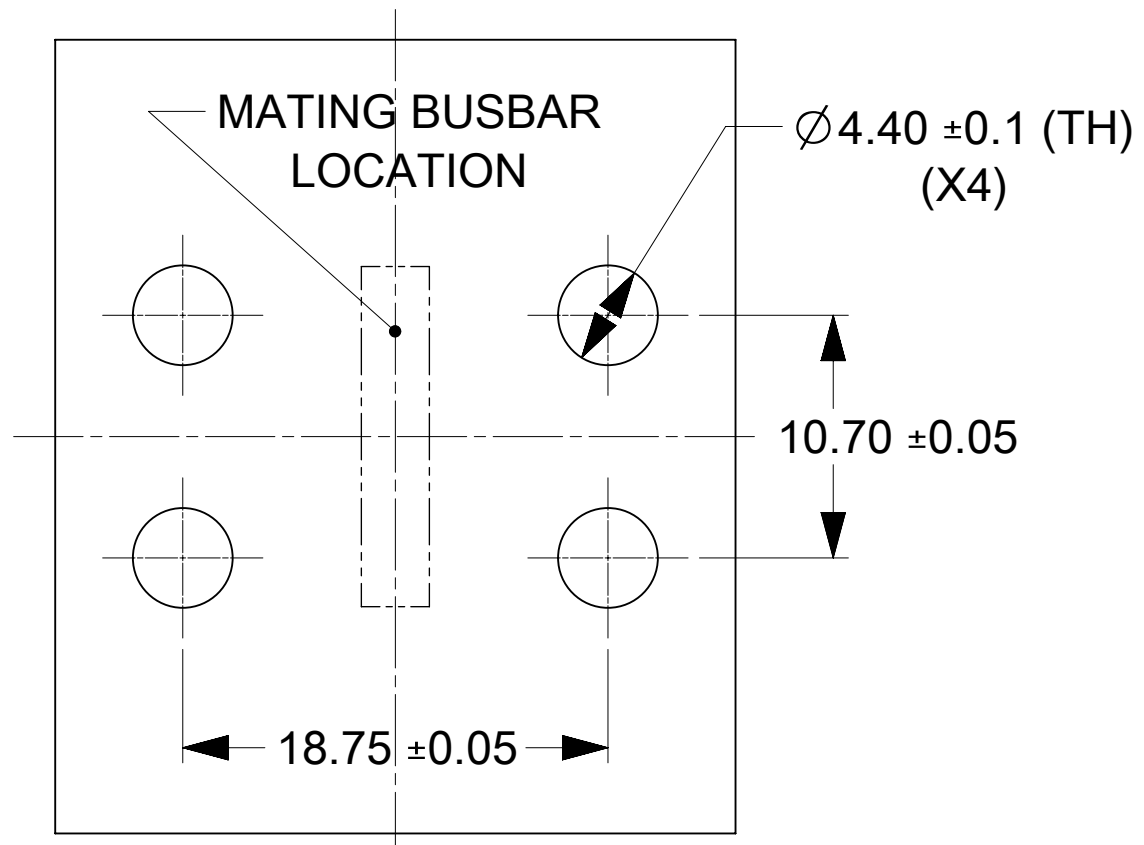


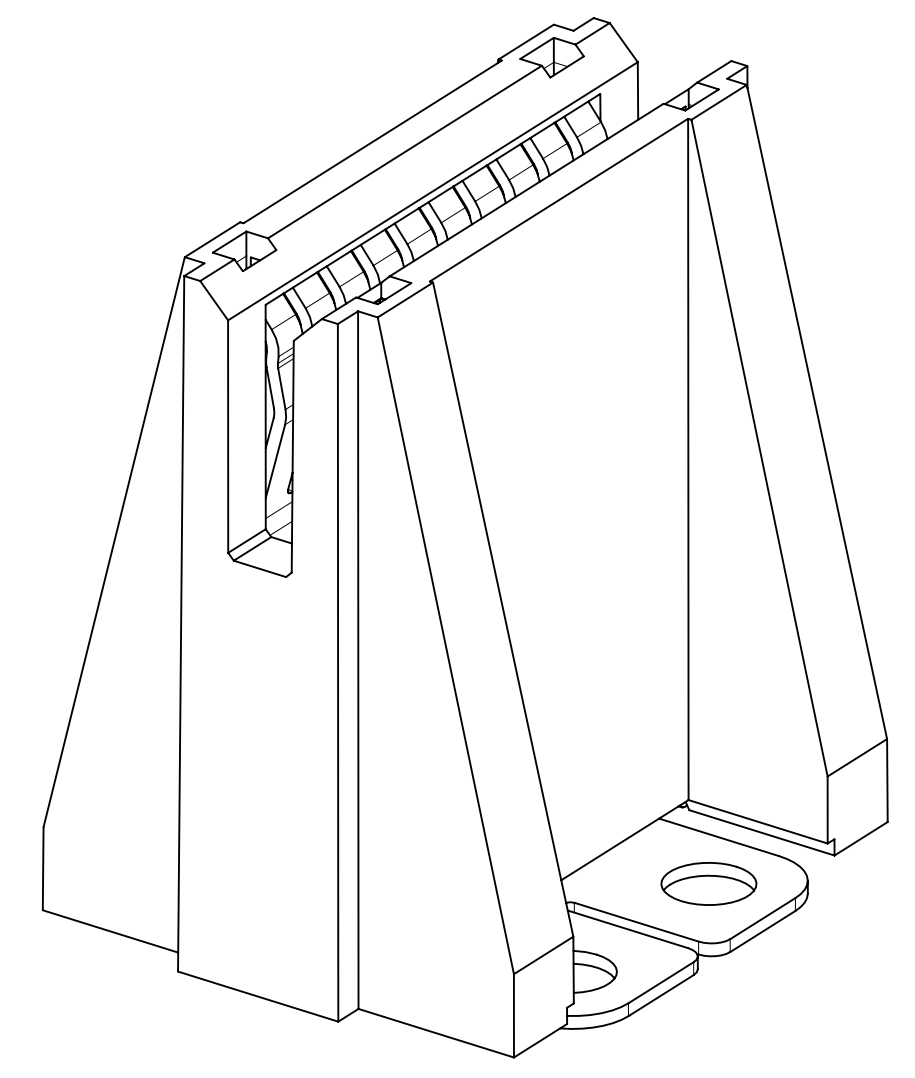
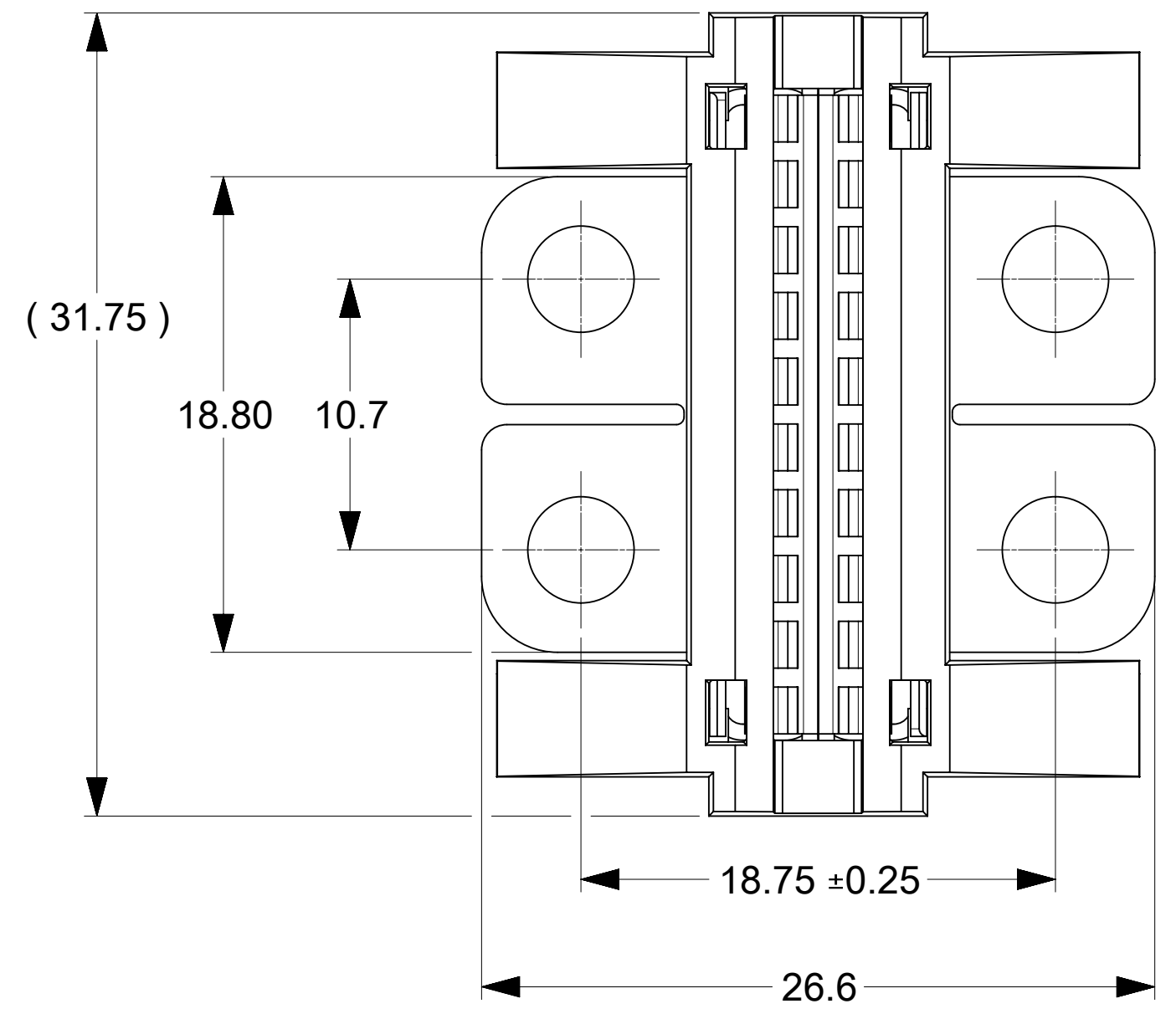
PART NUMBER	DESCRIPTION	NOTE
2132740003	OPEN SIDE WALL	
2132741003	CLOSED SIDE WALL	



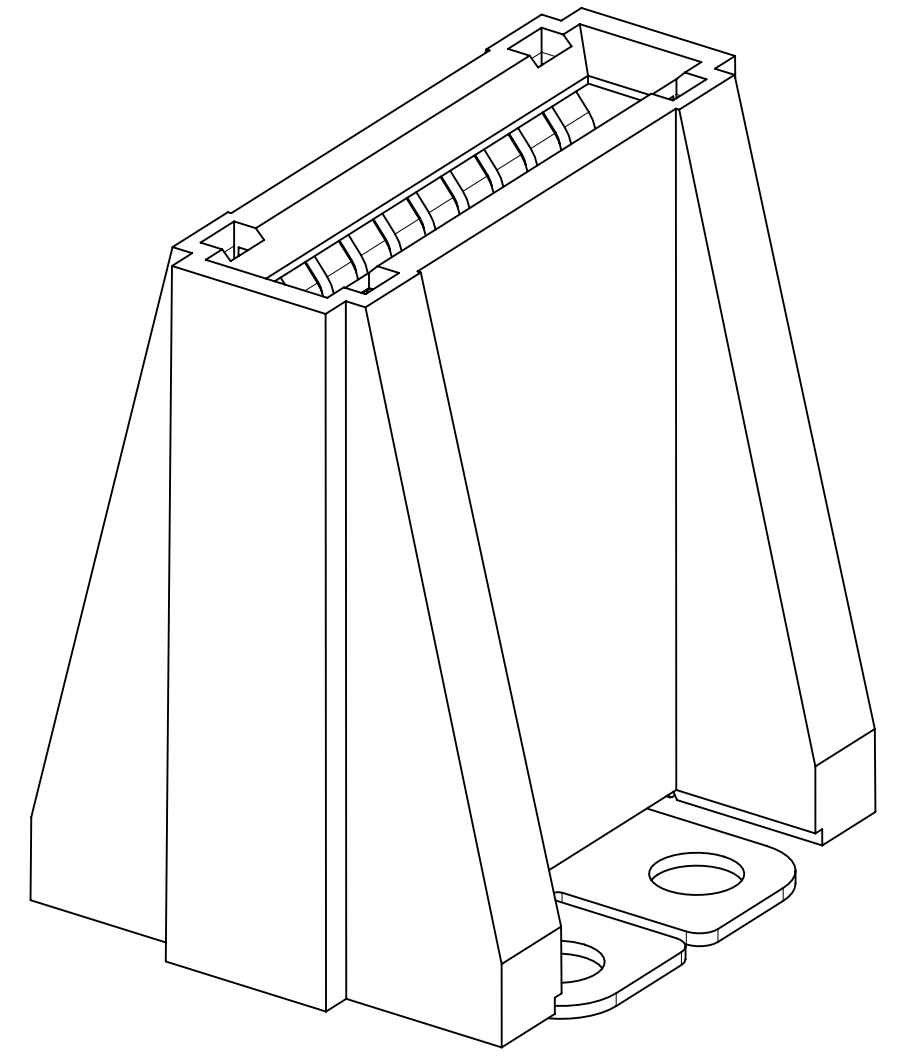
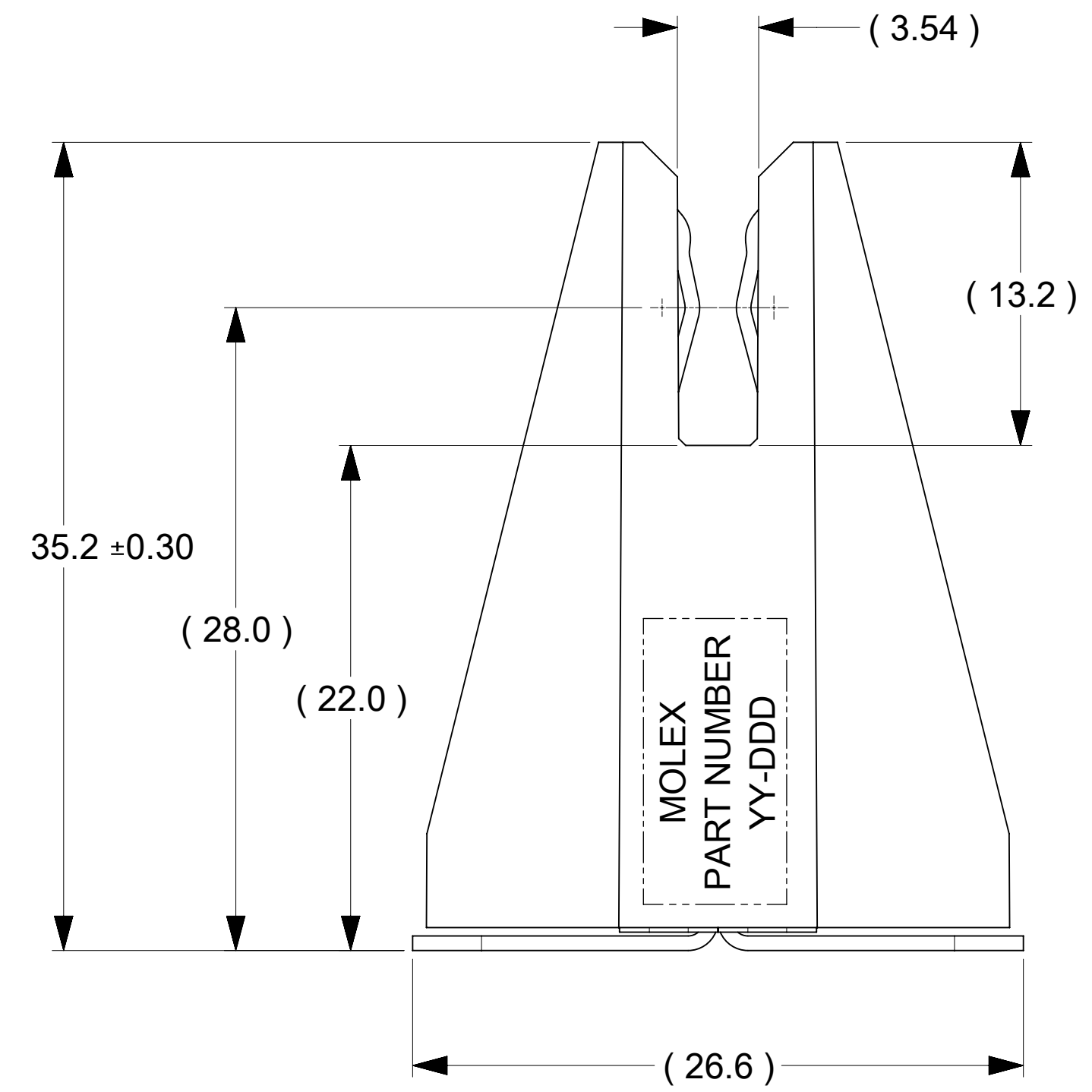
BUSBARS, SCREWS, WASHER AND NUTS
IN THESE VIEWS ARE SHOWN FOR REFERENCE



- NOTES:
- MATERIALS:
 - HOUSING BODY: POLYMER, UL94V-0, BLACK.
 - TERMINALS: COPPER ALLOY.
 - RIVET/CLIP: COPPER ALLOY.
 - PLATING:
 - CONTACT AREAS: 3.18 MICRON MIN. SILVER, OVER 1.27 MICRON MIN. NICKEL.
 - TAB AREAS: 3.18 MICRON MIN. TIN OVER 1.27 MICRON MIN. NICKEL.
 - REST: 1.27 MICRON MIN. NICKEL.
 - LUBRICATION: LUBED IN CONTACT AREA.
 - REFERENCE DOCUMENT: 2132740001-PS, 2132740001-AS
 - MODULE ASSEMBLY IS RoHS COMPLIANT.
 - FINAL ASSEMBLY TO BE PACKAGED AND LABELED PER PACKAGING KIT DRAWING NUMBER 2132740003-PK.



PART NUMBER: 2132740003
(OPEN SIDE WALLS)



PART NUMBER: 2132741003
(CLOSED SIDE WALLS)

RECOMMENDED BUSBAR LAYOUT

FUNCTIONAL SYMBOLS	THIS DRAWING CONTAINS INFORMATION THAT IS PROPRIETARY TO MOLEX ELECTRONIC TECHNOLOGIES, LLC AND SHOULD NOT BE USED WITHOUT WRITTEN PERMISSION		CURRENT REV DESC:	
DIMENSION UNITS	SCALE			
$F_A = 0$	mm	3:1		
$F_G = 0$	GENERAL TOLERANCES (UNLESS SPECIFIED)			
$F_D = 0$	ANGULAR TOL ± °			
	4 PLACES	±		
	3 PLACES	±		
	2 PLACES	± 0.15		
	1 PLACE	± 0.25		
	0 PLACES	±		
DIVISIONAL SYMBOLS	DRAFT WHERE APPLICABLE MUST REMAIN WITHIN DIMENSIONS			
	THIRD ANGLE PROJECTION	DRAWING	SERIES	MATERIAL NUMBER
		D-SIZE	213274	SEE CHART
		EC NO: 690682	DRWN: TOMLU	2022/01/03
		CHK'D: BPISZCZOR	2022/01/04	
		APPR: BPISZCZOR	2022/01/04	
		INITIAL REVISION:	DRWN: TOMLU	2020/03/02
			APPR: BPISZCZOR	2021/12/21
		DOCUMENT NUMBER	DOC TYPE	DOC PART
		2132740003-SD	PSD	000
		CUSTOMER	REVISION	
			A1	
		SHEET NUMBER		
			1 OF 1	

DOCUMENT STATUS	P1	RELEASE DATE	2022/01/07	20:21:56
-----------------	----	--------------	------------	----------