

SAC-2P-20,0-PUR/DTFS - Sensor/actuator cable



1421665

<https://www.phoenixcontact.com/us/products/1421665>

Please be informed that the data shown in this PDF document is generated from our online catalog. Please find the complete data in the user documentation. Our general terms of use for downloads are valid.



Sensor/actuator cable, 2-position halogen-free, free cable end, on Socket straight DEUTSCH DT06-2S, coding: A, cable length: 20 m

Commercial data

Item number	1421665
Packing unit	1 pc
Minimum order quantity	100 pc
Note	Made to order (non-returnable)
Sales key	BF08
Product key	BF1DWA
GTIN	4055626275246
Weight per piece (including packing)	675 g
Weight per piece (excluding packing)	642 g
Customs tariff number	85444290
Country of origin	CZ

Technical data

Product properties

Product type	Sensor/actuator cable
Number of positions	2
Application	Mobile hydraulics
No. of cable outlets	1
Shielded	no
Coding	A

Material specifications

Flammability rating according to UL 94	V2
Seal material	Silicon
Material of grip body	TPU
Contact material	Cu alloy
Contact surface material	nickel-plated
Contact carrier material	PA 6.6
Material for screw connection	not available

Electrical properties

Nominal voltage U_N	48 V AC
	48 V DC
Nominal current I_N	8 A
Protective circuit	unwired

Signaling

Status display	No
Status display present	No

Connector

Connection 1

Type	free cable end
------	----------------

Connection 2

Type	Socket straight DEUTSCH DT06-2S
Coding type	A

Cable/line

Cable length	20 m
--------------	------

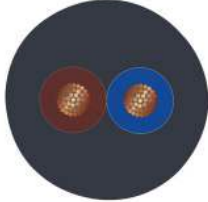
PUR halogen-free black [PUR]

SAC-2P-20,0-PUR/DTFS - Sensor/actuator cable



1421665

<https://www.phoenixcontact.com/us/products/1421665>

Dimensional drawing	
Cable weight	33 kg/km
UL AWM Style	20549 / 10493 (80°C/300 V)
Number of positions	2
Shielded	no
Cable type	PUR halogen-free black [PUR]
Conductor structure signal line	42x 0.15 mm
AWG signal line	18
Conductor cross section	2x 0.75 mm ² (Signal line)
Wire diameter incl. insulation	1.69 mm ±0.05 mm (Signal line)
External cable diameter	4.8 mm ±0.15 mm
Outer sheath, material	PUR
External sheath, color	black-gray RAL 7021
Conductor material	Bare Cu litz wires
Material wire insulation	PP
Single wire, color	brown, blue
Thickness, insulation	≥ 0.21 mm
Thickness, outer sheath	≥ 0.38 mm
Overall twist	2 wires, twisted
Max. conductor resistance	≤ 26 Ω/km (at 20 °C)
Insulation resistance	≥ 1 GΩ*km (at 20 °C)
Nominal voltage, cable	≤ 300 V AC
Test voltage	≥ 3000 V AC (Spark test)
Minimum bending radius, fixed installation	5 x D
Minimum bending radius, flexible installation	10 x D
Max. bending cycles	4000000
Halogen-free	in accordance with DIN VDE 0472 part 815 in accordance with DIN EN 50267-2-1
Flame resistance	according to UL 758/1581 (horizontal) in accordance with UL 758/1581 FT2 according to DIN EN 60332-2-2
Resistance to oil	According to DIN EN 60811-2-1, 168 h at 100°C According to UL 758, 168 h at 60°C
Other resistance	hydrolysis and microbe resistant partly UV-resistant in accordance with DIN EN ISO 4892-2-A Low adhesion abrasion-resistant

SAC-2P-20,0-PUR/DTFS - Sensor/actuator cable



1421665

<https://www.phoenixcontact.com/us/products/1421665>

Special properties	flexible
	Flexible cable conduit capable
Ambient temperature (operation)	-40 °C ... 80 °C (cable, fixed installation)
	-25 °C ... 80 °C (Cable, flexible installation)

Environmental and real-life conditions

Ambient conditions

Degree of protection	IP67
Ambient temperature (operation)	-20 °C ... 85 °C (Plug / socket)

SAC-2P-20,0-PUR/DTFS - Sensor/actuator cable

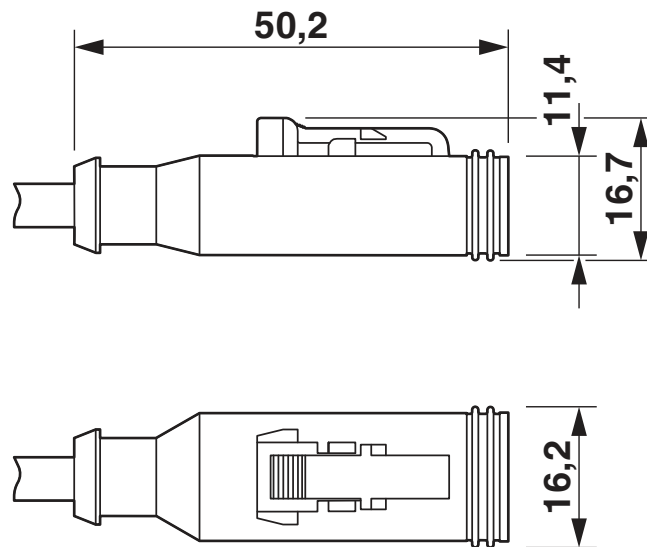
1421665

<https://www.phoenixcontact.com/us/products/1421665>



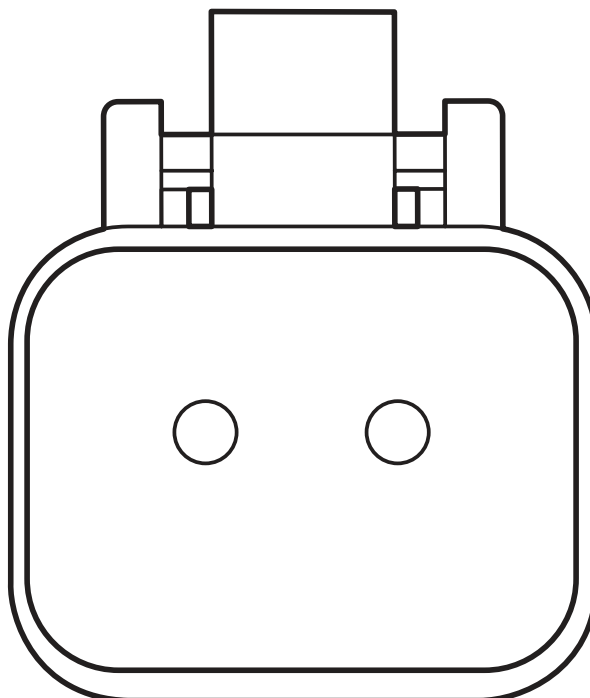
Drawings

Dimensional drawing



DEUTSCH DT06-2S, top view and side view

Schematic diagram



DEUTSCH DT06-2S pin assignment

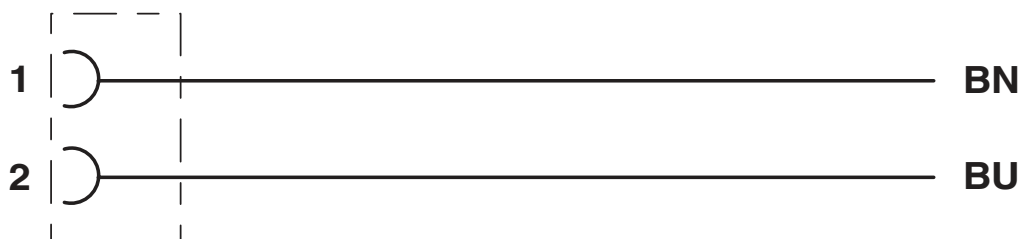
SAC-2P-20,0-PUR/DTFS - Sensor/actuator cable



1421665

<https://www.phoenixcontact.com/us/products/1421665>

Circuit diagram



SAC-2P-20,0-PUR/DTFS - Sensor/actuator cable



1421665

<https://www.phoenixcontact.com/us/products/1421665>

Classifications

ECLASS

ECLASS-11.0	27060311
ECLASS-12.0	27060311
ECLASS-13.0	27060311

ETIM

ETIM 8.0	EC001855
----------	----------

UNSPSC

UNSPSC 21.0	26121600
-------------	----------

SAC-2P-20,0-PUR/DTFS - Sensor/actuator cable



1421665

<https://www.phoenixcontact.com/us/products/1421665>

Environmental product compliance

REACH SVHC	Lead 7439-92-1
China RoHS	Environmentally Friendly Use Period = 50 years
	For information on hazardous substances, refer to the manufacturer's declaration available under "Downloads"

SAC-2P-20,0-PUR/DTFS - Sensor/actuator cable



1421665

<https://www.phoenixcontact.com/us/products/1421665>

Accessories

PABA WH/23 - Insert label

1013779

<https://www.phoenixcontact.com/us/products/1013779>



Insert label, Strip, white, unlabeled, can be labeled with: CMS-P1-PLOTTER, mounting type: slide-on, cable diameter range: 1.5 ... 35 mm, lettering field size: 23 x 4 mm, Number of individual labels: 20

PABA YE/23 - Insert label

1013782

<https://www.phoenixcontact.com/us/products/1013782>



Insert label, Strip, yellow, unlabeled, can be labeled with: CMS-P1-PLOTTER, mounting type: slide-on, cable diameter range: 1.5 ... 35 mm, lettering field size: 23 x 4 mm, Number of individual labels: 20

SAC-2P-20,0-PUR/DTFS - Sensor/actuator cable



1421665

<https://www.phoenixcontact.com/us/products/1421665>

B-STIFT - Marker pen

1051993

<https://www.phoenixcontact.com/us/products/1051993>



Marker pen, for manual labeling of unprinted Zack strips, smear-proof and waterproof, line thickness 0.5 mm

CUTFOX-S VDE - Diagonal cutter

1212207

<https://www.phoenixcontact.com/us/products/1212207>



Diagonal cutter for hard (piano wire) and soft wires, VDE 1000 V AC/1500 V DC tested

SAC-2P-20,0-PUR/DTFS - Sensor/actuator cable



1421665

<https://www.phoenixcontact.com/us/products/1421665>

WIREFOX SAC-1 - Stripping tool

1212757

<https://www.phoenixcontact.com/us/products/1212757>



Stripping pliers, for halogen-free sensor/actuator cables (SAC cables), with PUR and PVC insulation, from Ø of 3.2 to 4.4 mm, any stripping length

WIREFOX SAC - Stripping tool

1212623

<https://www.phoenixcontact.com/us/products/1212623>



Stripping pliers, for halogen-free sensor/actuator cables (SAC cables), with PUR and PVC insulation, from Ø of 4.4 to 7 mm, any stripping length

SAC-2P-20,0-PUR/DTFS - Sensor/actuator cable



1421665

<https://www.phoenixcontact.com/us/products/1421665>

WIREFOX 10 - Stripping tool

1212150

<https://www.phoenixcontact.com/us/products/1212150>



Stripping tool, for cables and conductors from 0.02 - 10 mm², self-adjusting, stripping length of up to 18 mm, cutting capacity of up to 10 mm² stranded/1.5 mm² solid, replaceable stripping blade

WP-CTA POM 13,0 BK - Protective hose adapter

1422884

<https://www.phoenixcontact.com/us/products/1422884>



Protective hose adapter, for corrugated hoses with a nominal size of 13 (10 x 13), corrugated in parallel

SAC-2P-20,0-PUR/DTFS - Sensor/actuator cable



1421665

<https://www.phoenixcontact.com/us/products/1421665>

WP-PA HF 13,0 BK - Protective hose

3240681

<https://www.phoenixcontact.com/us/products/3240681>



Protective hose, material: PA 6, UV-resistant: yes, flexible, degree of protection: IP68, color: black, flammability rating in acc. with UL 94: V0, inner diameter: 10 mm, Total length: 50 m

WP-PA HF-HB 13,0 BK - Protective hose

3240839

<https://www.phoenixcontact.com/us/products/3240839>



Protective hose, material: PA 6, UV-resistant: yes, flexible, degree of protection: IP68, color: black, flammability rating in acc. with UL 94: HB, inner diameter: 10 mm, Total length: 50 m

Phoenix Contact 2023 © - all rights reserved
<https://www.phoenixcontact.com>

Phoenix Contact USA
586 Fulling Mill Road
Middletown, PA 17057, United States
(+717) 944-1300
info@phoenixcon.com