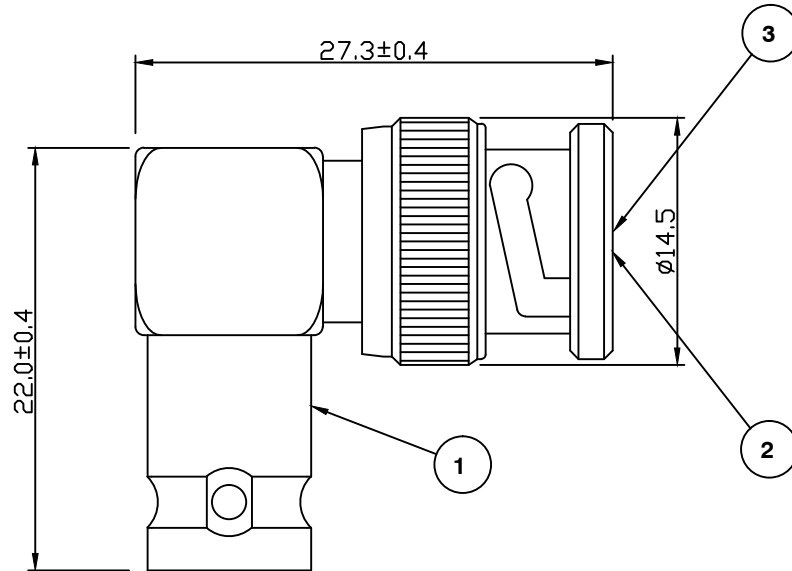


RoHS COMPLIANT



Electrical Characteristics

| | |
|-------------------------------------|-----------------------------|
| Nominal Impedance: | 50 ohms |
| Frequency Range: | DC to 4 GHz |
| VSWR: | 1.35:1 maximum |
| Insertion Loss: | 0.2 dB at 3 GHz |
| Operating Voltage (rms): | 500 V maximum at sea level |
| Dielectric Withstand Voltage (rms): | 1500 V maximum at sea level |
| Contact Resistance: | 1.5 milliohms maximum |
| Insulation Resistance: | 5000 megohms minimum |

Mechanical Characteristics

| | |
|-----------------------|------------------------|
| Mating Cycles: | 500 cycles minimum |
| Interface Dimensions: | Conform to MIL-C-39012 |

Environmental Characteristics

| | |
|--------------------|------------------|
| Temperature Range: | -55 °C to +85 °C |
|--------------------|------------------|

| | PART | DESCRIPTION |
|---|------------|----------------------|
| 1 | Body | Brass, nickel plated |
| 2 | Dielectric | POM |
| 3 | Contact | Brass, gold plated |

| | | | |
|-------------------------|-------|-----|-----------|
| Dimension Update | MS | 3 | 20 Nov 19 |
| CAD Issue | SN | 2 | 24 Mar 04 |
| First Issue | SN | 1 | 05 Oct 92 |
| DESCRIPTION OF REVISION | APPVD | ISS | DATE |



CINCH CONNECTIVITY SOLUTIONS
 11 Bilton Road,
 Chelmsford, Essex,
 CM1 2UP, UK.
 Tel: +44 (0) 1245 359515
 Fax: +44 (0) 1245 358938

SCALE: Not To Scale

DIMENSIONS: mm

TOLERANCES:
 ± 0.2mm unless
 otherwise stated

DRAWN BY:

S Nash

CHECKED BY:

P Couzens

APPROVED BY:

P Couzens

DATE:

24 Mar 04

TITLE:

Right Angle BNC Plug to
 BNC Jack

PART NUMBER:

VBA107

PAGE: 1 of 1