

MODEL: PR-002B | **DESCRIPTION:** DC POWER RECEPTACLE**FEATURES**

- 2.35 mm center pin
- 4.0 A rating
- cable mount

**SPECIFICATIONS**

| parameter | conditions/description | min | typ | max | units |
|----------------------------|----------------------------------|-----|-------|-----|--------|
| rated input voltage | | | 24 | | Vdc |
| rated input current | | | | 4.0 | A |
| contact resistance | between terminal and mating plug | | | 30 | mΩ |
| insulation resistance | at 500 Vdc | 100 | | | MΩ |
| voltage withstand | for 1 minute | | | 500 | Vac |
| insertion/withdrawal force | | 0.4 | | 2 | kg |
| operating temperature | | -10 | | 50 | °C |
| life | | | 5,000 | | cycles |
| flammability rating | UL94V-2 for body only | | | | |
| RoHS | yes | | | | |

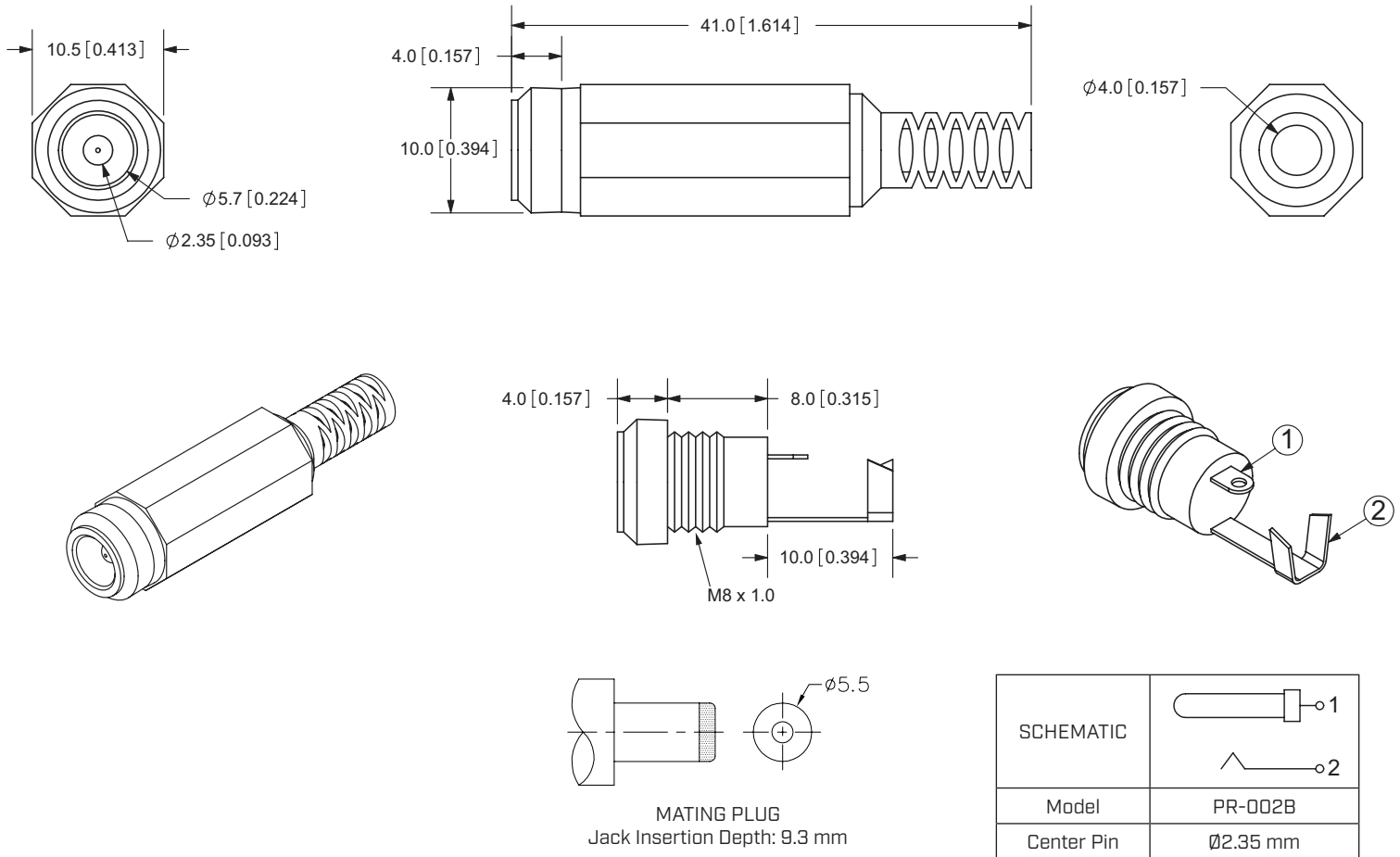
SOLDERABILITY

| parameter | conditions/description | min | typ | max | units |
|----------------|------------------------|-----|-----|-----|-------|
| hand soldering | for maximum 2 seconds | | 360 | | °C |

MECHANICAL DRAWING

units: mm[inches]
tolerance: ±0.3 mm

| | MATERIAL | PLATING |
|------------|----------|---------|
| center pin | PBS | nickel |
| terminal 1 | BSR | nickel |
| terminal 2 | BSR | nickel |
| cap | PE | |
| body | PA | |



REVISION HISTORY

| rev. | description | date |
|------|------------------------------|------------|
| 1.0 | initial release | 11/11/2005 |
| 1.01 | updated rating | 03/06/2007 |
| 1.02 | added contact resistance | 08/20/2010 |
| 1.03 | added pin designations | 09/15/2010 |
| 1.04 | applied new spec template | 11/01/2013 |
| 1.05 | updated datasheet | 03/21/2017 |
| 1.06 | brand update | 11/13/2019 |
| 1.07 | logo, datasheet style update | 08/05/2022 |

The revision history provided is for informational purposes only and is believed to be accurate.



CUI Devices offers a one (1) year limited warranty. Complete warranty information is listed on our website.

CUI Devices reserves the right to make changes to the product at any time without notice. Information provided by CUI Devices is believed to be accurate and reliable. However, no responsibility is assumed by CUI Devices for its use, nor for any infringements of patents or other rights of third parties which may result from its use.

CUI Devices products are not authorized or warranted for use as critical components in equipment that requires an extremely high level of reliability. A critical component is any component of a life support device or system whose failure to perform can be reasonably expected to cause the failure of the life support device or system, or to affect its safety or effectiveness.

cuidevices.com