

# PRODUCT DATASHEET

## PART NUMBER: C6329NL

- Diplexer 5-42/88-1002 MHz
- Impedance = 75 Ohms
- DOCSIS 3.0 Compliant
- Metal Housing, Through Hole
- RoHS Compliant

### Electrical Specifications @ 25°C

#### INSERTION LOSS : COMMON TO LOWPASS

5-42 MHz	54-50 MHz	60-80 MHz	88-135 MHz	135-1002 MHz					
1.5 dB Max	45 dB Min	46 dB Min	58 dB Min	48 dB Min					

#### INSERTION LOSS : COMMON TO HIGHPASS

5-42 MHz	54-60 MHz	88-1002 MHz							
57 dB Min	45 dB Min	1.5 dB Max							

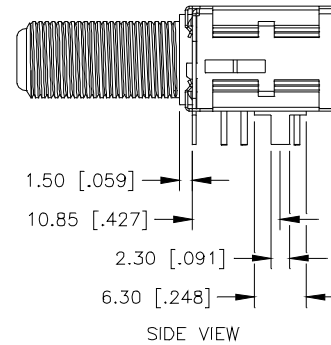
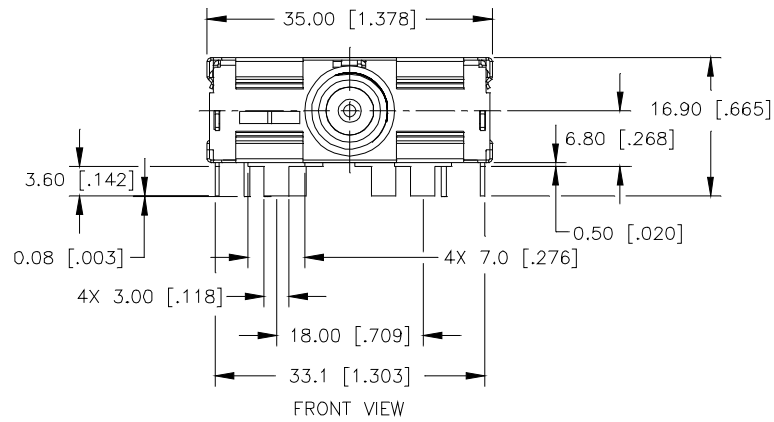
#### ISOLATION: HIGHPASS TO LOWPASS

5-42 MHz	54-88 MHz	88-135 MHz	135-1002 MHz						
58 dB Min	45 dB Min	58 dB Min	45 dB Min						

#### RETURN LOSS:

5-42 MHz	88-1002 MHz								
12 dB Min	9 dB Min								

## Mechanical Specifications



DIMENSIONS	mm [INCH]
TOLERANCES	.X = ±0.3 [±.012] .XX = ±0.30 [±.012]

DESIGNATIONS	
COMMON PORT (CP)	FC
HIGHPASS	PIN 1
LOWPASS	PIN 3
GROUND (GND)	PINS 2 & 4

