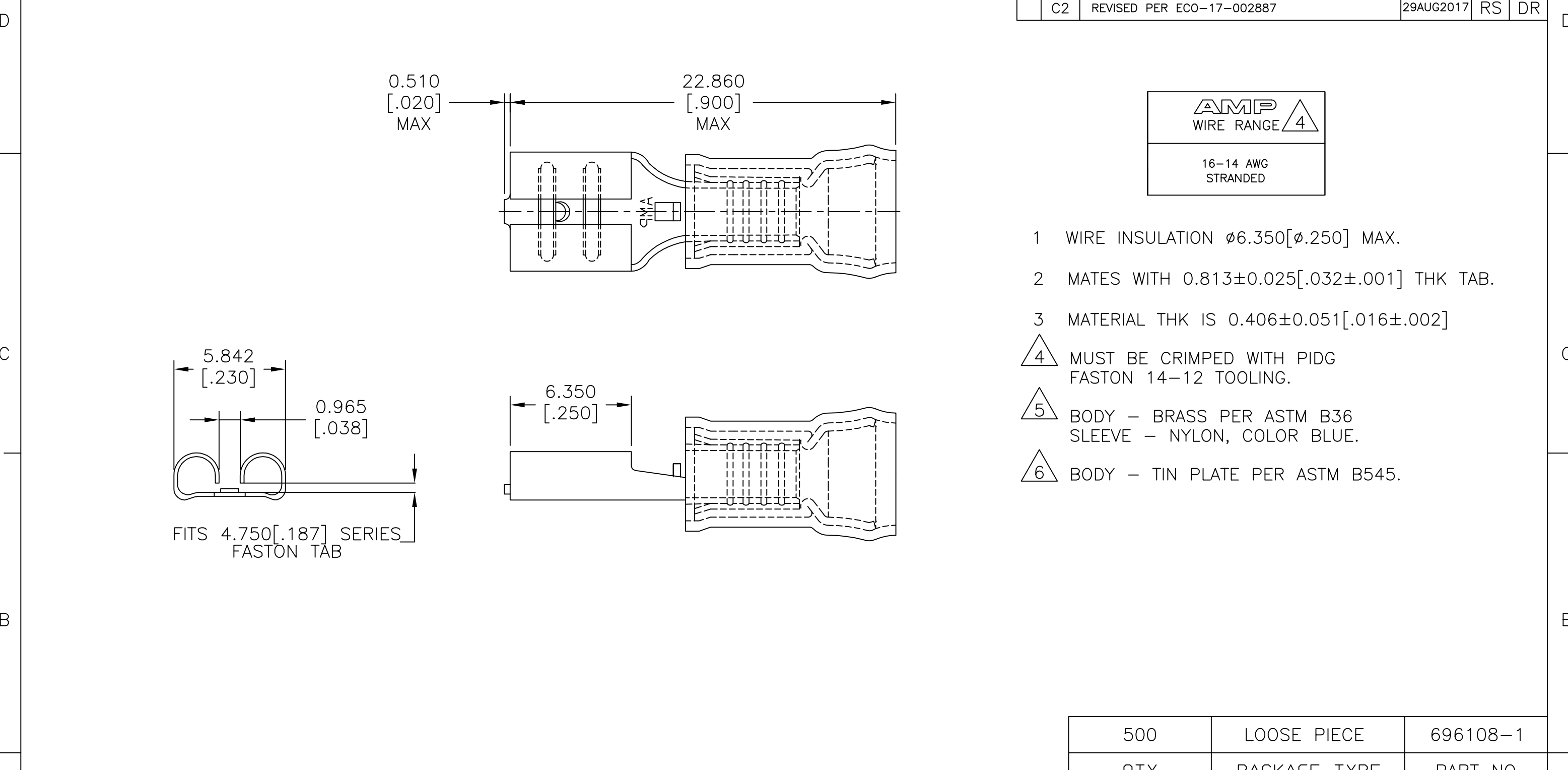


REVISIONS					
P	LTR	DESCRIPTION	DATE	DWN	APVD
	C1	CORRECTED VIEW	25MAY04	JR	TM
	C2	REVISED PER ECO-17-002887	29AUG2017	RS	DR



500	LOOSE PIECE	696108-1
QTY	PACKAGE TYPE	PART NO

AMP INCORPORATED CUSTOMER SERVICE SYSTEMS		MAX RECOMMENDED OPERATING TEMPERATURE: 90°C [194°F]	THIS DRAWING IS A CONTROLLED DOCUMENT.		DWN jr_ruth 13APR99	TE Connectivity RECEPTACLE, .187 SERIES FASTON, PIDG WIRE SIZE 16-14 AWG			
FOR ADDITIONAL PRODUCT INFORMATION OR COPIES OF DRAWINGS AND TECHNICAL DOCUMENTS	PRODUCT INFORMATION CENTER 1-800-522-6752	VOLTAGE RATING: 300V MAX	DIMENSIONS: mm [INCHES]	TOLERANCES UNLESS OTHERWISE SPECIFIED:	CHK T MICHELUTTI 13APR99				
FOR APPLICATION TOOLING INFORMATION	TOOLING ASSISTANCE CENTER 1-800-722-1111	CIRCULAR MIL AREA: 1.04-2.62mm² [2,050-5,180] STRANDED		0 PLC ± - 1 PLC ± - 2 PLC ± - 3 PLC ± 0.127[.005] 4 PLC ± - ANGLES ± 5°	APVD T MICHELUTTI 13APR99	PRODUCT SPEC			RESTRICTED TO
FOR ORDER ENTRY	1-800-526-5142	THIS DRAWING IS A CONTROLLED DOCUMENT FOR AMP INCORPORATED. IT IS SUBJECT TO CHANGE AND THE CONTROLLING ENGINEERING ORGANIZATION SHOULD BE CONTACTED FOR THE LATEST REVISION.	MATERIAL	FINISH	APPLICATION SPEC 114-1002	SIZE	CAGE CODE	DRAWING NO	
					WEIGHT	A3	00779	C-696108	
					CUSTOMER DRAWING	SCALE	SHEET	REV	
						5:1	1 OF 1	C2	