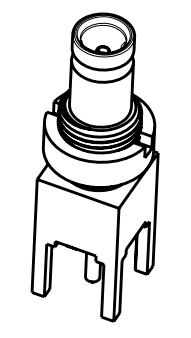
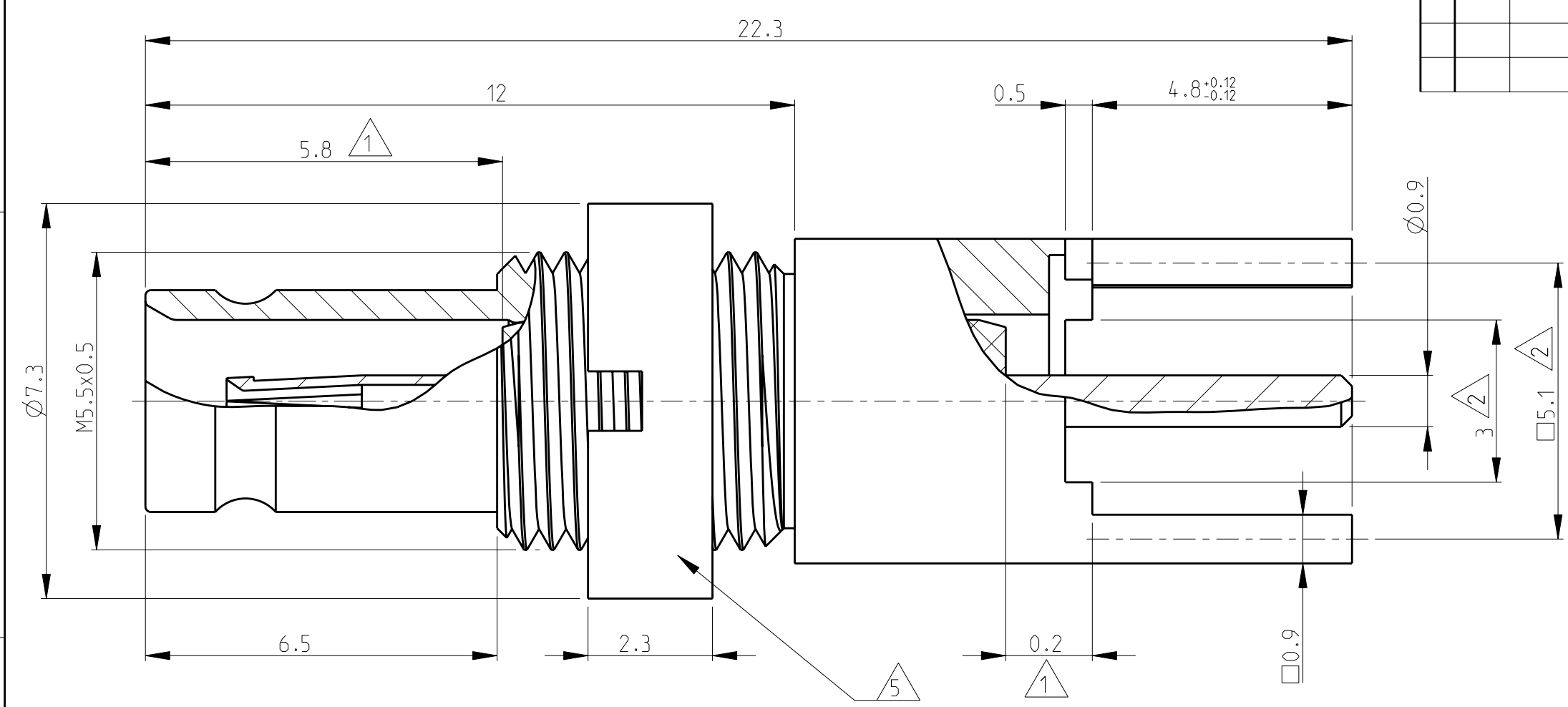
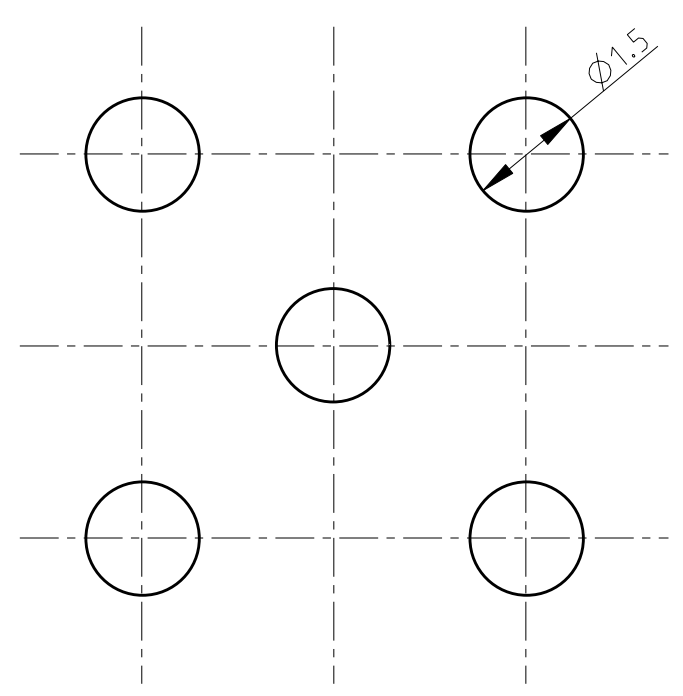


LOC	DIST	REVISIONS			
P	LTR	DESCRIPTION	DATE	DWN	APVD
IS	-	A	Update drawing	11.07.2006	AM DB



2:1

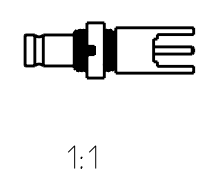
Recommended PCB layout  
Pitch 2.54 mm



- 5 Supplied as loose part
- 4. Mating face according to DIN 47297 and CECC 22230
- 3. Mounting requirements : PCB with Pitch 2.54  
Thickness of PCB :  $\pm 3$  mm  
Diametre of bores : 1.5 mm
- 2 Nominal dimension
- 1 Minimum dimension

All dimensions are max dimensions unless otherwise specified

0-619220-1	Dielectric	PTFE	
	Outer Con.	Brass	Plated Au over Ni
	Center Con.	Cu Be or BZ4	Plated Au over Ni
Tyco Nr	Description	Material	Plating



1:1

<small>THIS DRAWING IS A CONTROLLED DOCUMENT FOR TYCO ELECTRONICS CORPORATION IT IS SUBJECT TO CHANGE AND THE CONTROLLING ENGINEERING ORGANIZATION SHOULD BE CONTACTED FOR THE LATEST REVISION.</small>		DWN R. Luppi 22MAR2005 CHK D. Bozzer 22MAR2005 APVD		<b>tyco Electronics</b> Tyco Electronics Lugano - Switzerland	
DIMENSIONS: mm 		TOLERANCES UNLESS OTHERWISE SPECIFIED: 0 PLC $\pm$ 1 PLC $\pm 0.5$ 2 PLC $\pm 0.13$ 3 PLC $\pm 0.013$ 4 PLC $\pm 0.0001$ ANGLES $\pm$		NAME BULKHEAD JACK WITH PCB CONNECTION 1.0/2.3 75 Ohm	
MATERIAL -		FINISH -		PRODUCT SPEC 108-71032 APPLICATION SPEC - WEIGHT -	
		SIZE A3 CAGE CODE 00779 DRAWING NO C-619220		RESTRICTED TO -	
		SCALE 10/1		SHEET 1 OF 1 REV A	