

THIS DRAWING IS UNPUBLISHED. RELEASED FOR PUBLICATION 20  
 © COPYRIGHT 20 BY - ALL RIGHTS RESERVED.

REVISIONS				
P	LTR	DESCRIPTION	DATE	DWN APVD
A		INITIAL RELEASE	22JUN2016	N.P X.X
A1		ECR-19-006232	18APR2019	B.P C.W

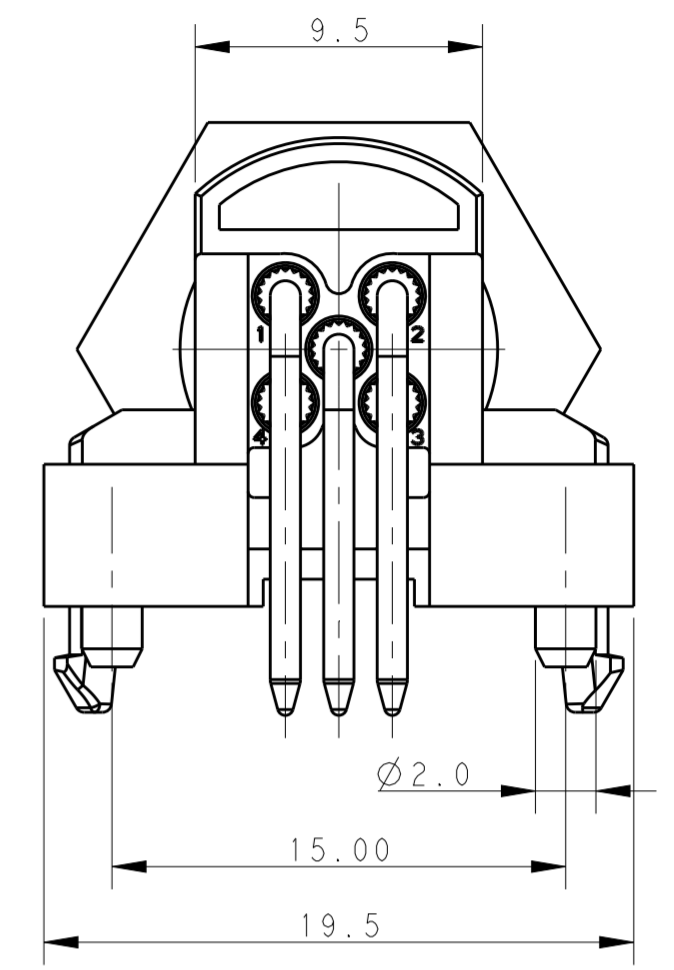
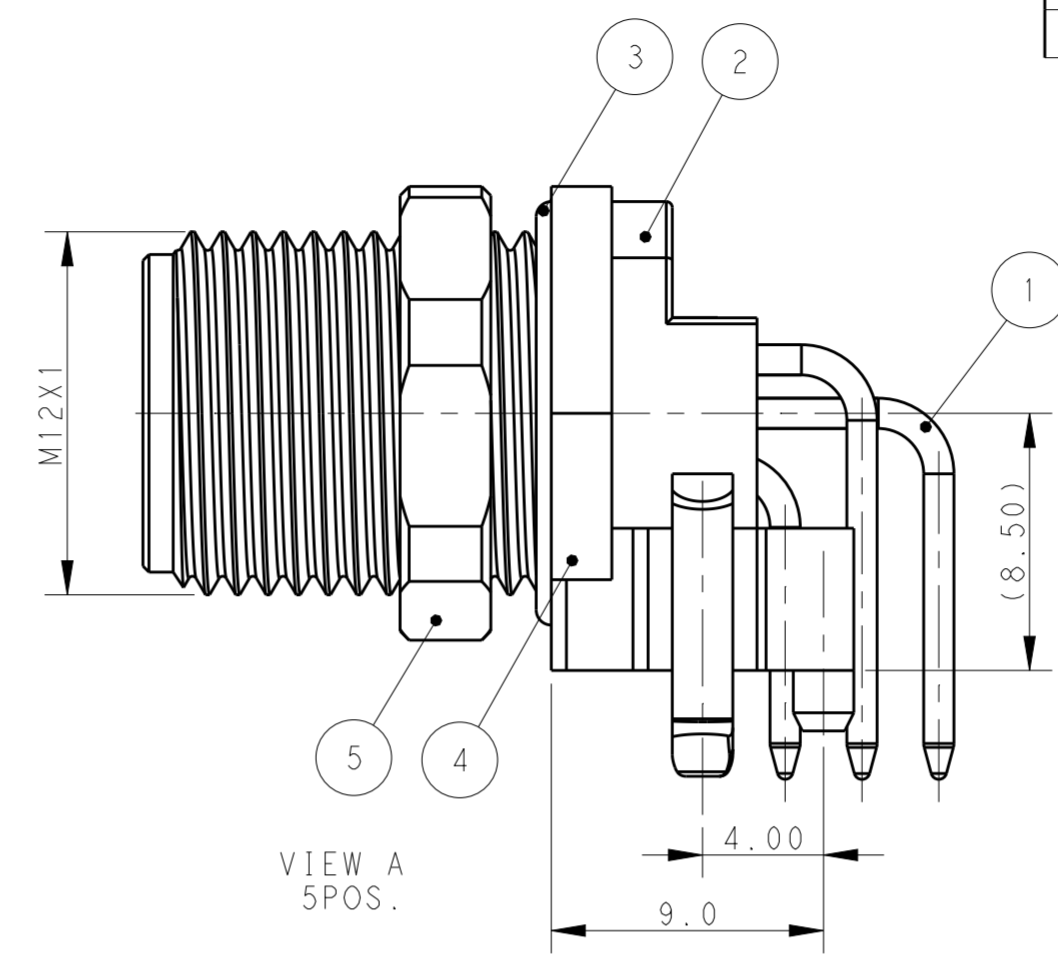
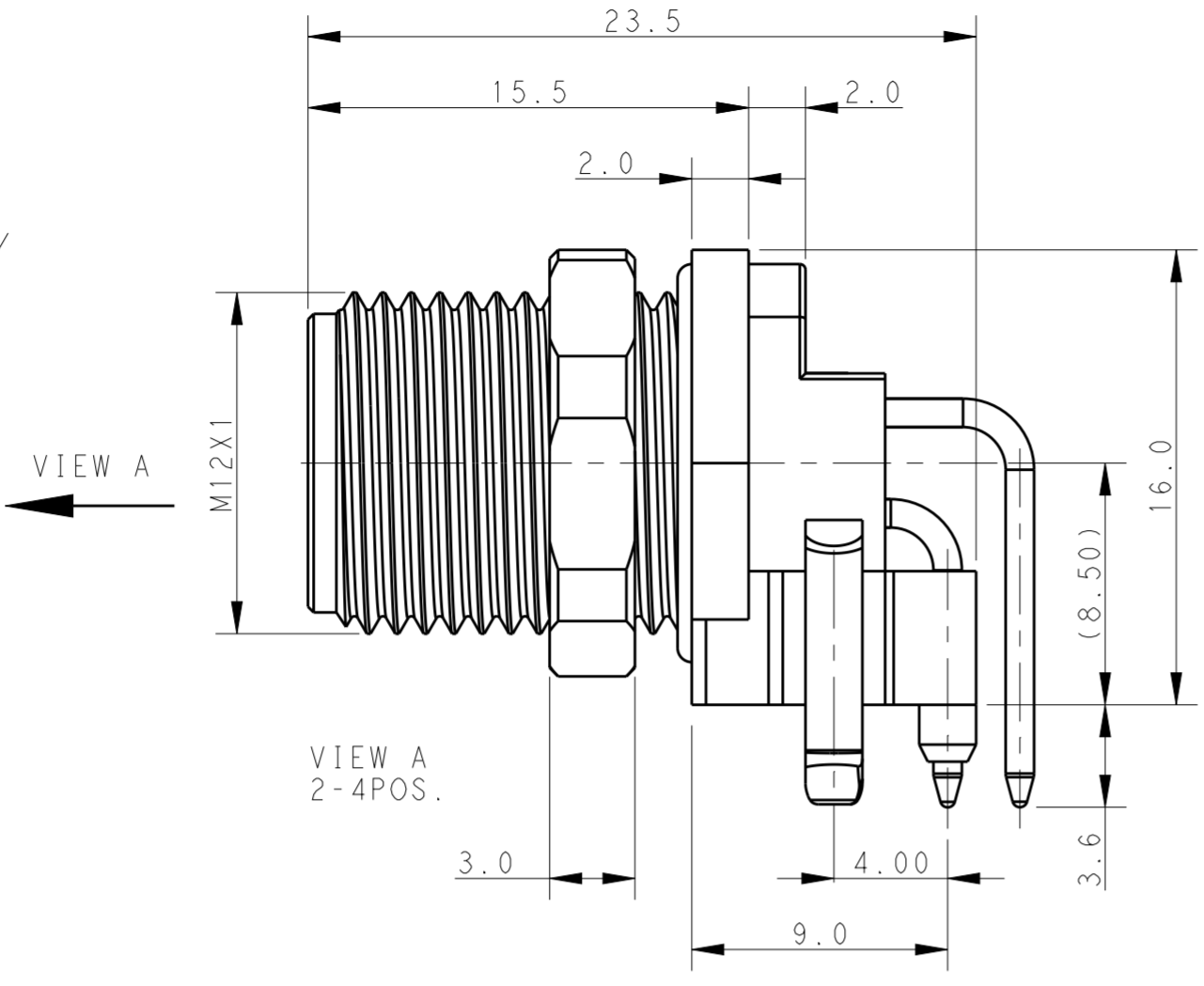
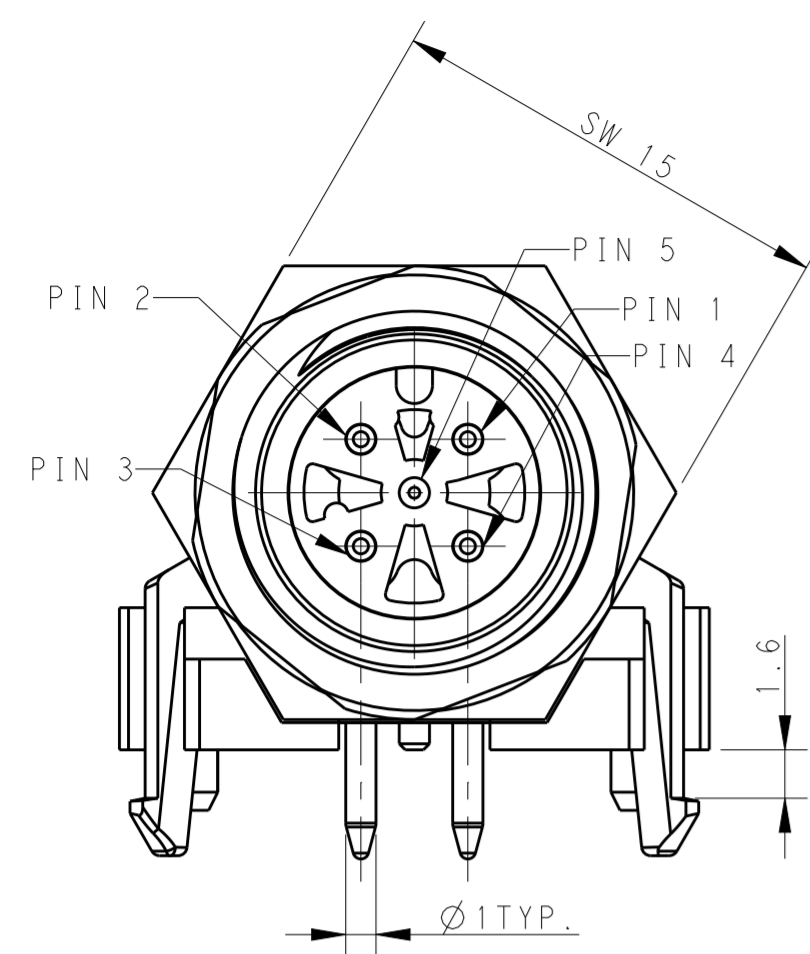
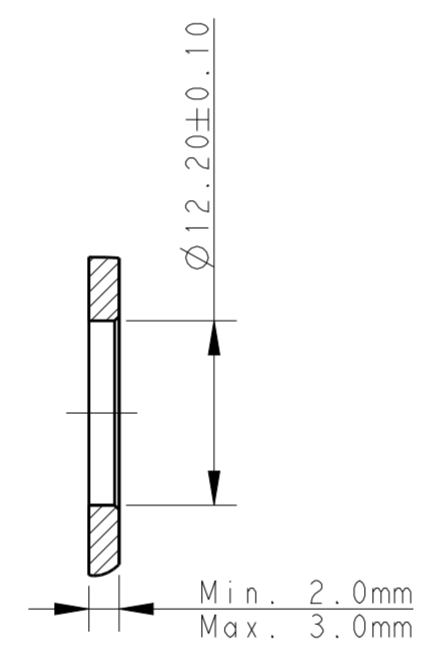
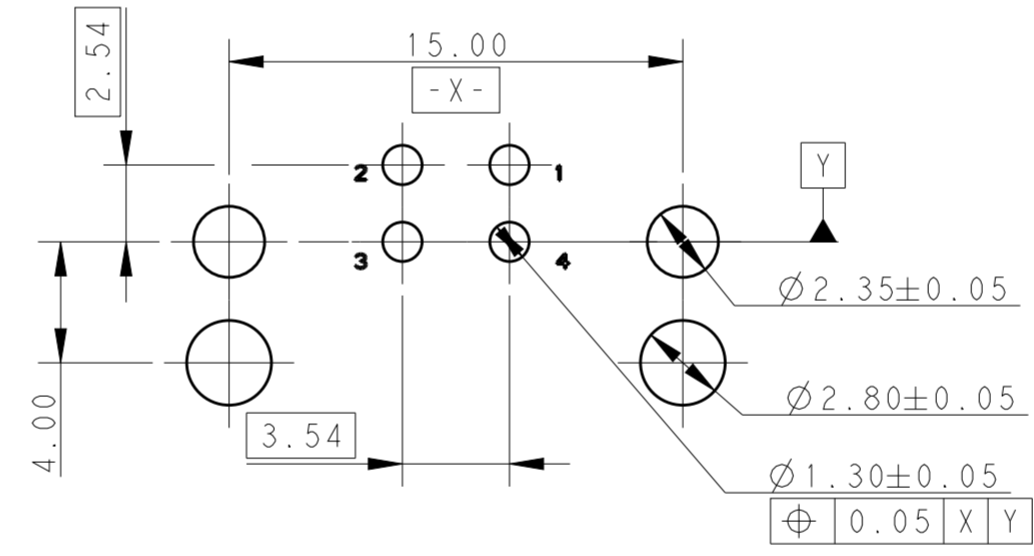


TABLE 1

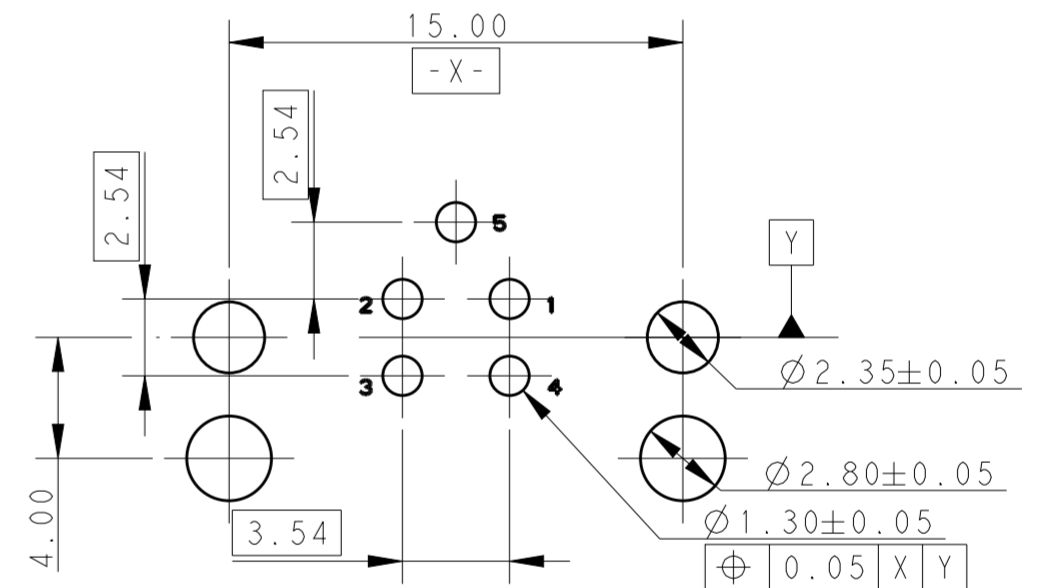
TECHNICAL DATA	T4144015021-000	T4144015031-000	T4144015041-000	T4144015051-000
RATED VOLTAGE	250V	250V	250V	60V
RATED CURRENT	4A	4A	4A	4A
POLLUTION DEGREE	3	3	3	3
OVERVOLTAGE CATEGORY	II	II	II	II
MATERIAL GROUP	II	II	II	II
DEGREE OF PROTECTION	IP67	IP67	IP67	IP67
OPERATION TEMPERATURE	-40~85°C	-40~85°C	-40~85°C	-40~85°C



RECOMMENDED PANEL SIZE



RECOMMEND PCB LAYOUT FOR 2-4POS. PCB THICKNESS: 1.6mm



RECOMMEND PCB LAYOUT FOR 5POS. PCB THICKNESS: 1.6mm

TABLE 2

PIN ARRANGEMENT A-CODE			
T4144015021-000	T4144015031-000	T4144015041-000	T4144015051-000

NOTES:

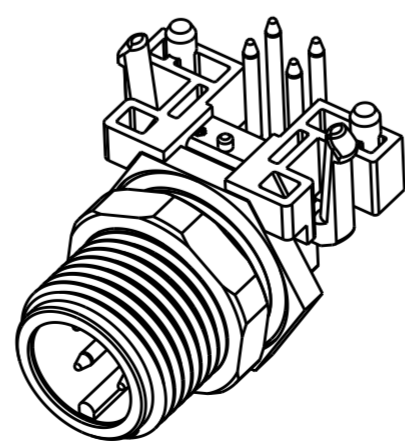
1. TECHNICAL DATA: SEE TABLE 1
2. PIN ARRANGEMENT: SEE TABLE 2
3. RECOMMENDED PANEL CUTOUT AND PCB LAYOUT SEE DETAIL
4. ALL DIMENSIONS ARE FOR NOMINAL REFERENCE ONLY UNLESS OTHERWISE STATED

注意事项

1. 技术参数：见表1
2. PIN 针排布见表2；
3. 推荐面板及PCB开孔尺寸如图所示；
4. 所有尺寸仅供参考，除另外说明。

COMMENTS	MATERIAL	DESCRIPTION	ITEM
-	COPPER ALLOY	NUT	5
-	COPPER ALLOY	COUPLING NUT	4
	RUBBER	O-RING	3
BALCK COLOR	PA66	HOUSING	2
GOLD FLASH	COPPER ALLOY	CONTACT	1

TYPE	POS.	PART NUMBER
RPC-M12-MR-5CON-M12-LPU	5	T4144015051-000
RPC-M12-MR-4CON-M12-LPU	4	T4144015041-000
RPC-M12-MR-3CON-M12-LPU	3	T4144015031-000
RPC-M12-MR-2CON-M12-LPU	2	T4144015021-000



THIS DRAWING IS A CONTROLLED DOCUMENT.		DWN Nick Pan 11MAY2016
DIMENSIONS: mm		CHK Kobby Zhao 11MAY2016
TOLERANCES UNLESS OTHERWISE SPECIFIED:		APVD Xiang Xu 11MAY2016
0 PLC	±	PRODUCT SPEC
1 PLC	±0.25	108-106140
2 PLC	±0.15	APPLICATION SPEC
3 PLC	±	114-137144-1
4 PLC	±	WEIGHT -
ANGLES	±	CUSTOMER DRAWING
FINISH	-	SCALE 2:1
MATERIAL TBD	finish_spec_2	SHEET 1 OF 1
material_2		REV A1

**STE** TE Connectivity

NAME M12 RIGHT ANGLE PCB CONNECTOR ASSEMBLY, MALE, UNSHIELDED, A-CODE

SIZE A2 CAGE CODE - DRAWING NO. G-T41440150X1000 RESTRICTED TO -