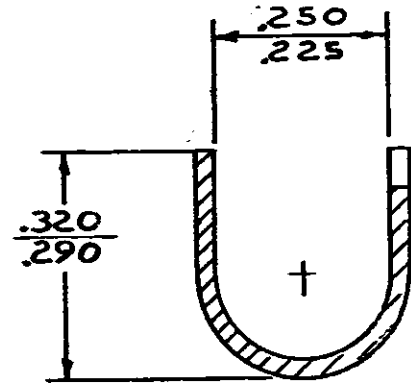
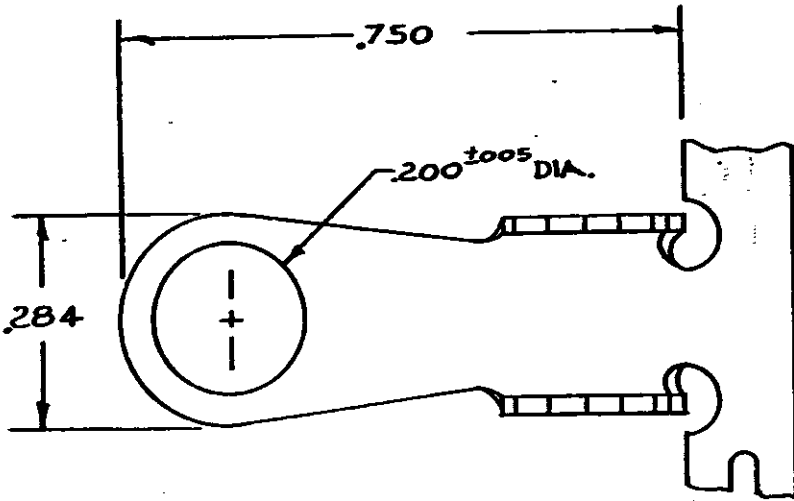
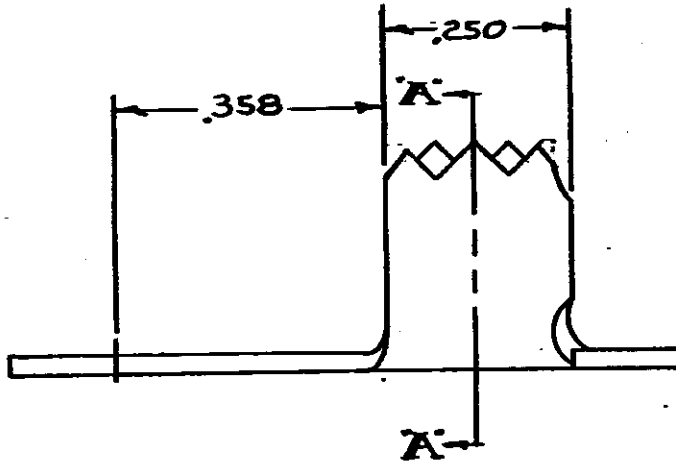


NUMBER  
61520

5



SECT A-A



TERMINAL  
NUMBER  
61520-1

DIMENSIONS IN INCHES. DO NOT SCALE PRINT.

Unauthorized copying not to be reproduced or transmitted without written permission of AMP Inc.

©1968 BY AMP INCORPORATED, ALL RIGHTS RESERVED. AMP PRODUCTS COVERED BY PATENTS AND/OR PATENTS PENDING.

**CUSTOMER COPY  
REFERENCE ONLY**

MATERIAL AND FINISH  
.025 ALUM.

**AMP** AMP INCORPORATED  
HARRISBURG, PENNA.

NONE

CLASS — N —

B REV PER AF-7849 PAF 3/5/68

WIRE — RANGE — INSULATION  
— N — 180-230

TYPE — N —

A RELEASED NCM/J 2/1/69

TOLERANCE EXCEPT SCALE  
AS NOTED ±.015 ± 1°

LOC AF A NO 61520

LTR REVISION RECORD DR CHK DATE

NAME STRAIN RELIEF RING TONGUE

DR N. E. NEFF 11-27-68 DE JIM P. KRIVULSKY 12-3-68  
CHK M. A. WILSON 12-3-68 APP

PRINT DIST  
50