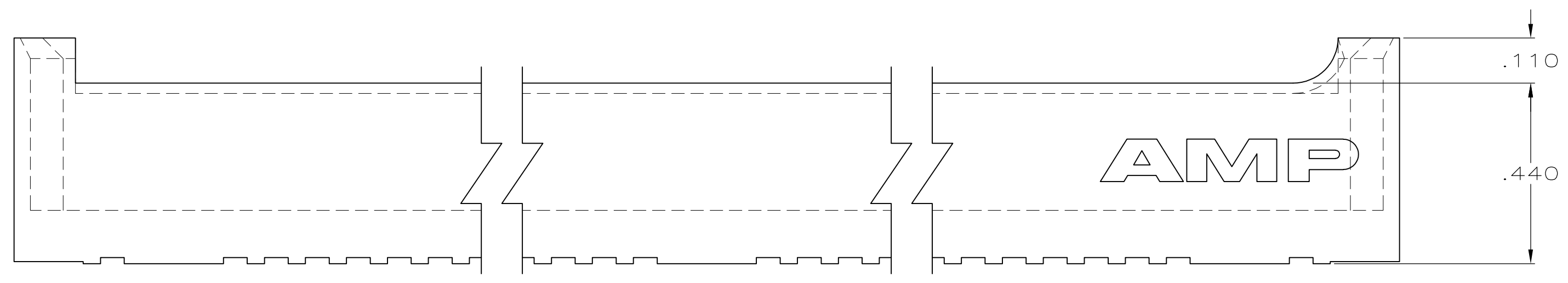
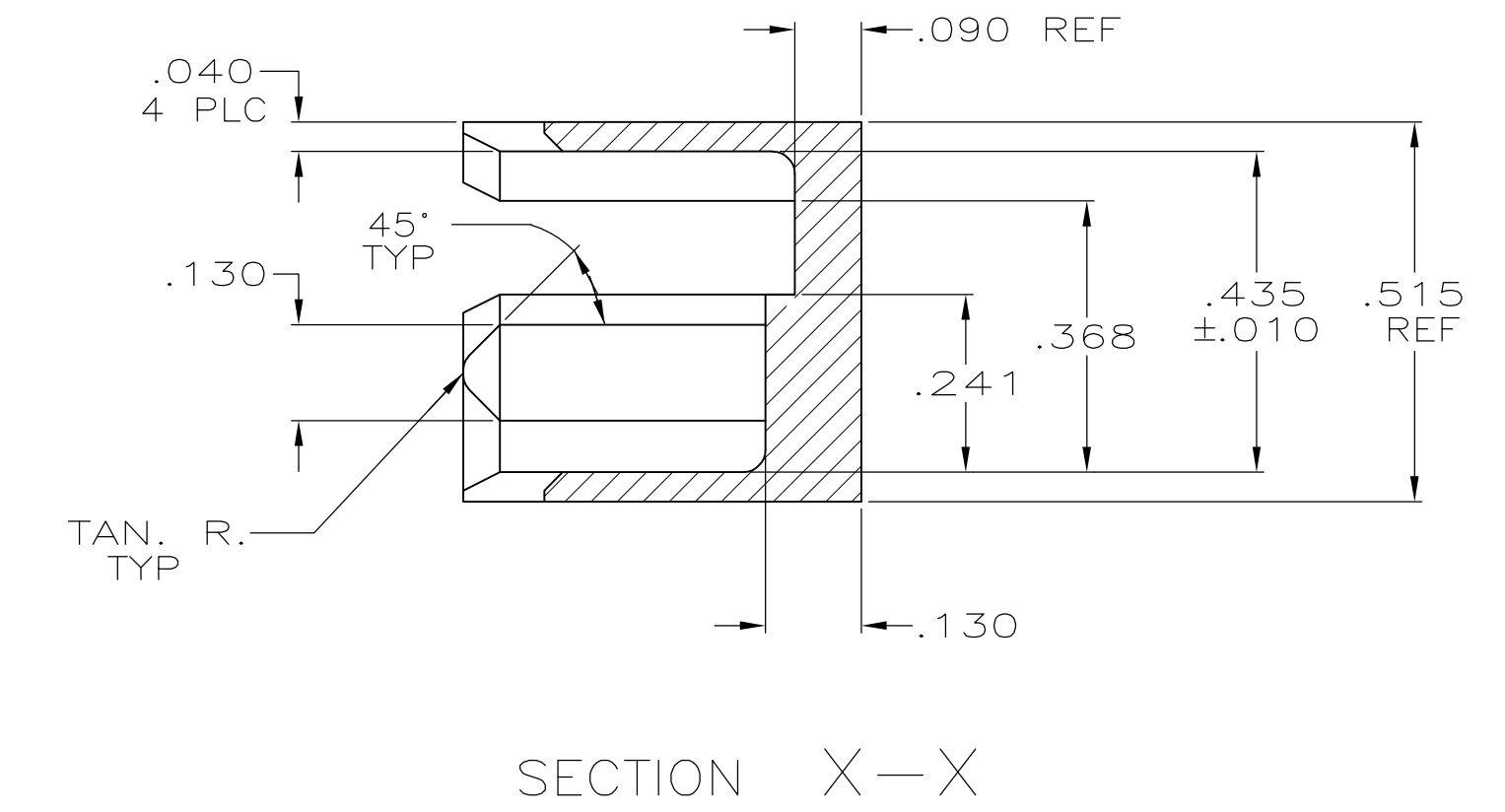
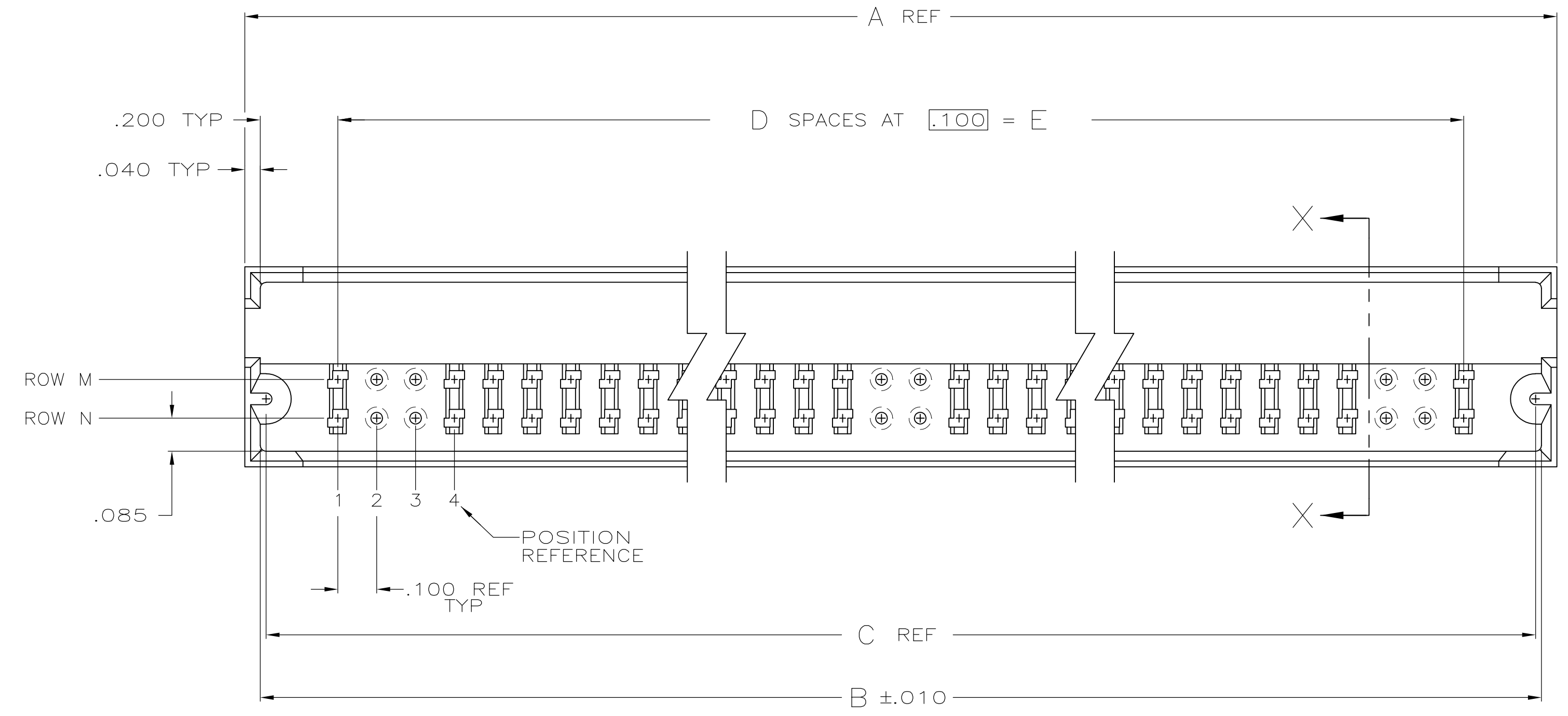


LOC		DIST		P		F		ZONE		LTR		REVISIONS		DATE	APPD		
AD	39																
													E	REV PER ECN 0010-0250-92	11/17/92	HP	
													F	REV PER 0010-0409-94	JK	4-22-94	HP
													G	REV PER 0010-0975-93	JK	11-18-94	HP
													H	REV PER 0430-0282-96	RB	3/10/97	JG
													H1	REVISED PER ECO-09-021510		14SEP09	AEG



1 GLASS FILLED NYLON, COLOR-BLACK.

	2,3,25,26,48,49	2,3,25,26,48,49	4.900	49	5.270	5.300	5.380	100	534956-4
OBSOLETE	2,3,20,21,38,39	2,3,20,21,38,39	3.900	39	4.270	4.300	4.380	80	534956-3
OBSOLETE	2,3,35,36,68,69	2,3,35,36,68,69	6.900	69	7.270	7.300	7.380	140	534956-2
OBSOLETE	2,3,32,33,63,64	2,3,32,33,63,64	6.400	64	6.640	6.800	6.880	130	534956-1

ROW M	ROW N	E	D	C	B	A	NO OF POSN	PART NUMBER
SELECTED INTERFERENCE HOLES								

DO NOT SCALE PRINT. UNLESS SPECIFIED DIMENSIONS IN mm [INCHES]	DR 11/12/92 J. MARTINELLI
TOLERANCES - ON :	CHK 11/12/92 D SARVER
2 PLC DEC ± .005	APPD 11/12/92 D SARVER
3 PLC DEC ± -	APPD 11/12/92 H PALEY
ANGLES ± -	PRODUCT SPEC
MATERIAL	APPLICATION SPEC
FINISH	WEIGHT -

AMP Incorporated Harrisburg, PA 17105-3608		
NAME		
HOUSING, MOD II, DBL ROW .100 X .100 ϕ , W/ GUIDE PINS, WITH SELECTIVE INTERFERENCE HOLES		
SIZE	CAGE CODE	DRAWING NO
D	00779	534956
SCALE	4:1	SHEET
		1 OF 1

THIS DRAWING IS A CONTROLLED DOCUMENT FOR AMP INCORPORATED. IT IS SUBJECT TO CHANGE AND THE CONTROLLING ENGINEERING ORGANIZATION SHOULD BE CONTACTED FOR THE LATEST REVISION.