

CABLE 375 RF: I-PEX MHF + SMA STRAIGHT BULKHEAD JACK WITH O-RING RATED TO IP67/68 + MULTIPLE CABLE OPTIONS, 6GHz

SPECIFICATIONS :

- I-PEX MHF PLUG, P/N:
20278-112R-08 (FOR $\phi 0.81$ MM CABLE)
20278-112R-13 (FOR $\phi 1.13$ MM CABLE)
20278-112R-18 (FOR RG178 CABLE)
- COAXIAL CABLE, SEE P/N OPTIONS.
- SMA STRAIGHT BULKHEAD JACK WITH O-RING RATED TO IP67/68, P/N: RFCT-SMA069-F78.

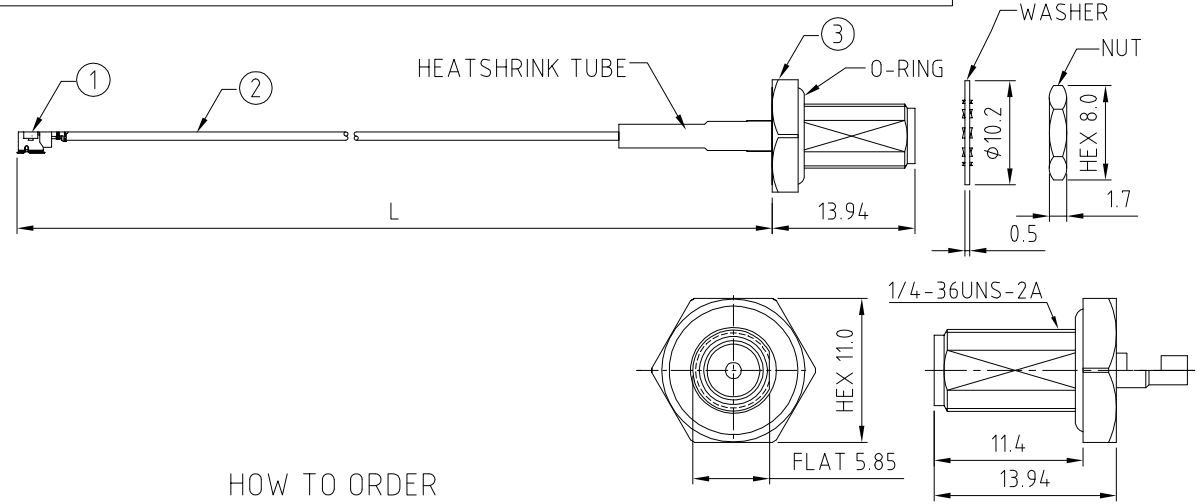
USAGE PRECAUTIONS: CABLES USING 'MICRO' COAX ARE DELICATE:
(i) HANDLE WITH CARE.
(ii) DO NOT TWIST; APPLY EXCESSIVE FORCES OR SHARP BENDS TO THE CABLE. DO NOT FORCEFULLY DEFORM WIRES.
(iii) CONSULT CONNECTOR MANUFACTURER'S DATASHEETS FOR DETAILED NOTES ON HANDLING INSTRUCTIONS.

ENVIRONMENTAL:

- A. BULKHEAD MOUNTED CONNECTOR (RFCT-SMA069-F78) RATED TO THE FOLLOWING SPECIFICATION:
- IP6X - DUST TIGHT - NO PARTICLE INGRESS.
 - IPX7 WATERPROOF FOR 30 MINUTES UP TO 1 METER UNDERWATER.
 - IPX8 WATERPROOF FOR 48 HOURS AT 1 METER UNDERWATER.

NOTES:

- THE ORIENTATION OF CONNECTORS ON DRAWING IS FOR REFERENCE ONLY, IF THE ORDER IS LEFT BLANK THE CONNECTOR WILL NOT HAVE FIXED ORIENTATION.
- FIXED ORIENTATION IS SUGGESTED FOR CABLE LENGTH 50MM TO 100MM. PLEASE SPECIFY THE FIXED ORIENTATIONS FROM THE ORDER CODE (F1, F2, ETC)
- CONTACT GRADCONN IF THE ORIENTATION YOU REQUIRE IS NOT SHOWN.
- WORKING FREQUENCY RANGE: DC-6GHz.
- OPERATING TEMPERATURE: -40°C ~ $+85^{\circ}\text{C}$.
- IMPEDANCE: 50 Ohm.



HOW TO ORDER

CABLE 375 RF - X X X - X X - X - X

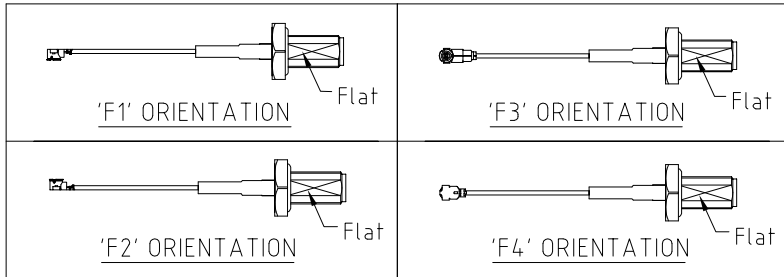
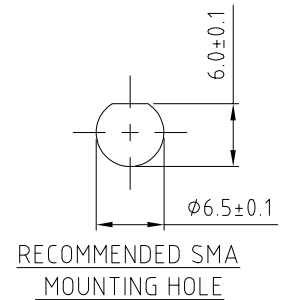
"L" LENGTH IN MM:
eg: 100MM = 100
(MIN. 050-MAX.400)
STANDARD = 100, 150, 200
Tolerance: 50-200mm: ± 5 mm.
201-400mm: ± 7 mm.

CABLE SIZE:
1 = $\phi 0.81$ MM CABLE, COLOR: GREY
2 = $\phi 1.13$ MM CABLE, COLOR: GREY
3 = RG178 CABLE, COLOR: BROWN

WASHER AND NUT OPTIONS:
BLANK = SEPARATELY PACKED (STANDARD)
A = ASSEMBLED WITH CONNECTOR

ORIENTATION OPTIONS:
BLANK = DOES NOT HAVE A FIXED ORIENTATION
F1 = MHF CONNECTION DOWN (L=50-200MM)
F2 = MHF CONNECTION UP (L=50-200MM)
F3 = MHF CONNECTION AND D FLAT SAME ORIENTATION (L=50-200MM)
F4 = MHF CONNECTION AND D FLAT OPPOSITE ORIENTATION (L=50-200MM)
(SEE NOTES 1, 2, 3 AND DIAGRAMS FOR MORE INFORMATION)

SMA DETAIL DRAWING



REV. DATE & DRN	10 10/01/20 - NYW RELEASE
11	06/02/20 - AJO CABLE OPTION ADDED
12	06/02/20 - NYW ADD NOTE 7
13	14/07/20 - NYW REMOVE NOTE 7. AHEAD OPERATING TEMP.
14	06/02/23 - NYW ADD CABLE SIZE OPTION 3.

Scale: NTS	THIRD ANGLE	Unstated X XX XXX ANGLES	Tolerances: N/A N/A N/A N/A
Drawn: NYW			
App'd: XXX	Title CABLE ASSEMBLY		
Date: 6 FEB '23	Revision: 14	Unit: mm	



IP67/68 Rated Cables

www.gradconn.com

THIS DRAWING IS CONFIDENTIAL AND MUST NOT BE COPIED OR DISCLOSED WITHOUT WRITTEN CONSENT

Type: Cable 375 RF
CABLE 375 RF
Drawing Number:
Sheet 1 of 1
Drawing © E and O E