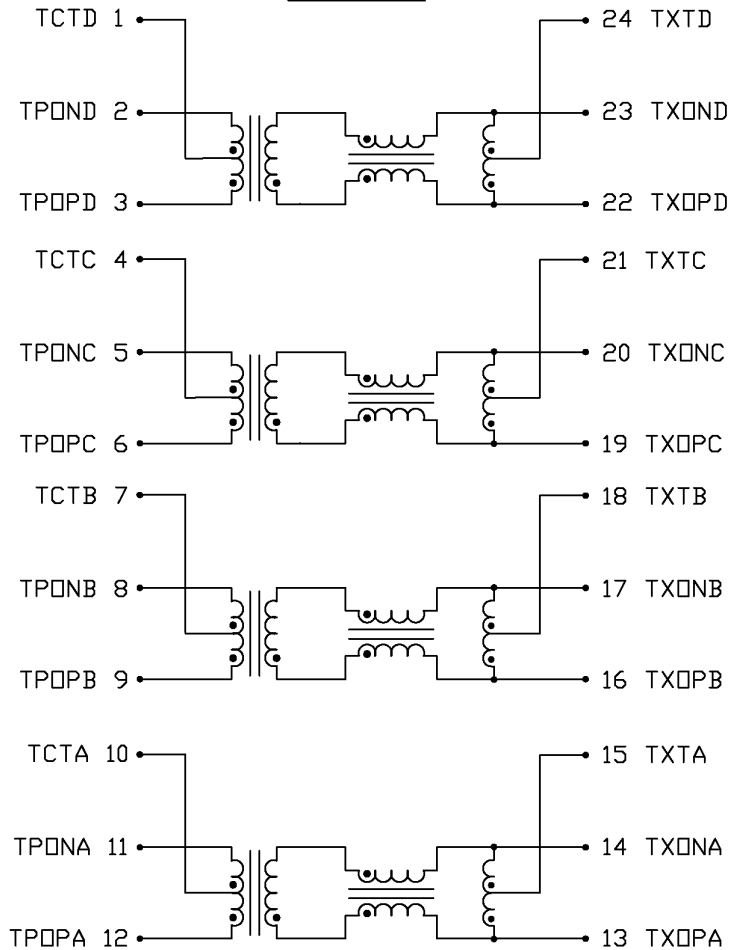


THE INFORMATION CONTAINED HEREIN IS CONSIDERED "PROPRIETARY" TO BEL FUSE INC. AND SHALL NOT BE COPIED, REPRODUCED OR DISCLOSED WITHOUT THE WRITTEN APPROVAL OF BEL FUSE INC.



ELECTRICAL CHARACTERISTICS

SCHEMATIC



URNS RATIO

PIN(3-1-2) : (22-24-23)
 PIN(6-4-5) : (19-21-20)
 PIN(9-7-8) : (16-18-17)
 PIN(12-10-11) : (13-15-14)

1CT : 1CT
 1CT : 1CT
 1CT : 1CT
 1CT : 1CT

OCL

-40°C TO +85°C

350μH MIN. AT 100kHz, 100mV
 WITH 8mA DC BIAS

INSERTION LOSS

1.1dB MAX. @ 0.1 MHz
 0.5dB MAX. @ 1 MHz
 0.8dB MAX. @ 65 MHz
 1.0dB MAX. @ 100 MHz
 1.5dB MAX. @ 125 MHz

RETURN LOSS

UNDER 100 OHMS
 ±15% ENVIRONMENT

18dB MIN. @ 0.5 TO 40 MHz
 12-20LOG (f/80 MHz) dBMIN.
 @ 40 TO 100 MHz

COMMON TO COMMON REJECTION

30dB MIN. @ 0.1 TO 100 MHz

CROSSTALK

@ 1-100 MHz
 33-20LOG (f/100 MHz) dB MIN.

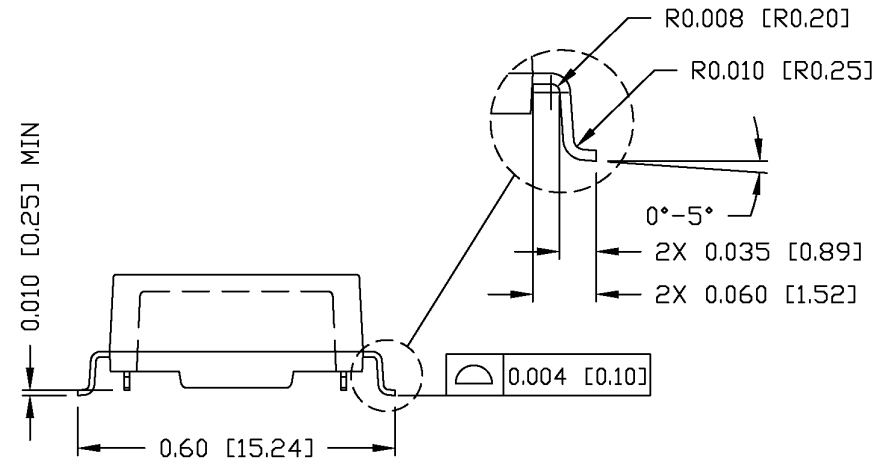
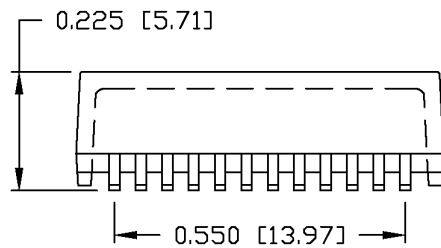
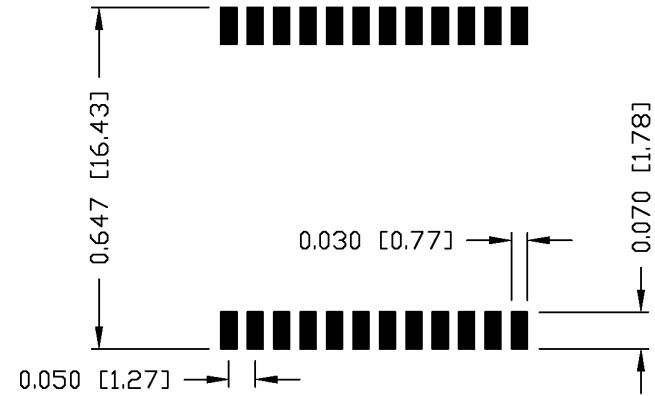
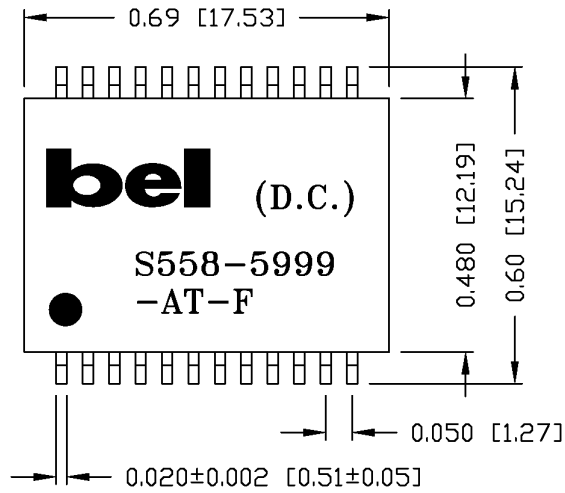
HIPOT

PER HAND-WORK-03

ORIGINATED BY HQ	DATE 04-12-06	TITLE 1000BASE-T MAGNETIC MODULES S558-5999-AT-F	PART NO. / DRAWING NO. X5585999AT-F	STANDARD DIM. TOL. IN INCH	[] METRIC DIM. AS REFERENCE	 COMPONENTS ON A CONNECTED PLANET
DRAWN BY DQ Chen	DATE 04-12-06	FILE NAME X5585999ATFA.DWG	.X	UNIT : INCH [mm]	REV. : A	
			.XX	SCALE : N/A	SIZE : A4	
			.XXX		PAGE : 2	

THE INFORMATION CONTAINED HEREIN IS CONSIDERED "PROPRIETARY" TO BEL FUSE INC. AND SHALL NOT BE COPIED, REPRODUCED OR DISCLOSED WITHOUT THE WRITTEN APPROVAL OF BEL FUSE INC.

SUGGESTED PCB PAD LAYOUT



NOTES:

- STANDARD MARKING REFER TO DOC. HAND-WORK-04.
- PACKAGE CODE: "RQS001".

ORIGINATED BY Lawrence	DATE 04-12-06	TITLE MECHANICAL DRAWING S558-5999-AT-F	PART NO. / DRAWING NO. X5585999AT-F	STANDARD DIM. TOL. IN INCH	[] METRIC DIM. AS REFERENCE	<p>COMPONENTS ON A CONNECTED PLANET</p>
DRAWN BY DQ Chen	DATE 04-12-06	FILE NAME X5585999ATFA.DWG	.X	UNIT : INCH [mm]	REV. : A	
			.XX ±0.01	SCALE : N/A	SIZE : A4	
			.XXX ±0.005	SCALE : N/A	PAGE : 3	