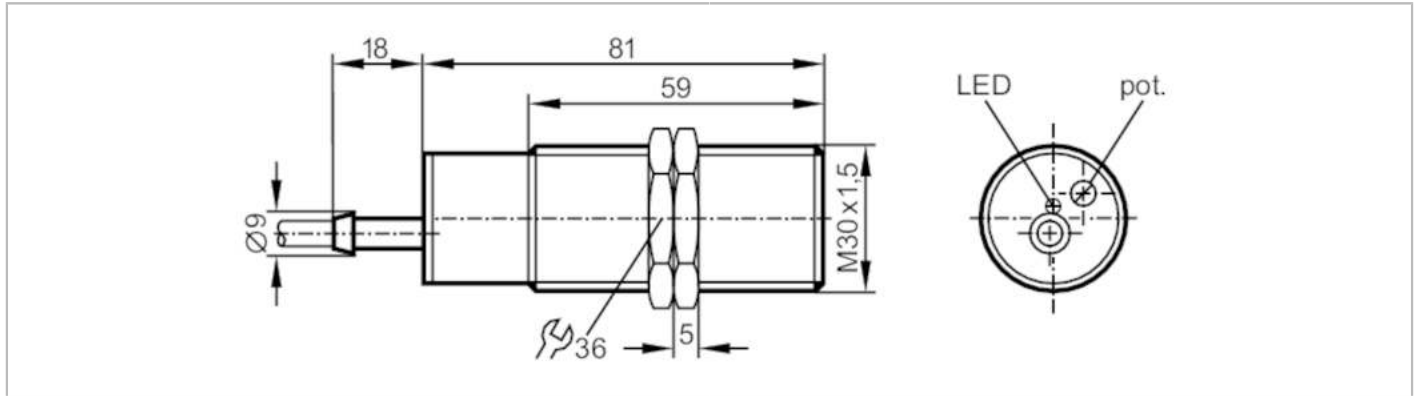


KI0206



Capacitive sensor

KI-2015-ABOA/NI/0,1/LS-100AK



Product characteristics

Output function		normally open
Sensing range	[mm]	3...15
Housing		threaded type
Dimensions	[mm]	M30 x 1.5

Electrical data

Operating voltage	[V]	20...250 AC/DC
Protection class		II
Reverse polarity protection		no

Outputs

Output function		normally open
Max. voltage drop switching output DC	[V]	8
Max. voltage drop switching output AC	[V]	10
Minimum load current	[mA]	5
Max. leakage current	[mA]	2.5 (250 V AC) / 1.7 (110 V AC) / 1.5 (24 V DC)
Permanent current rating of switching output AC	[mA]	200; (250 (...50 °C))
Permanent current rating of switching output DC	[mA]	200; (250 (...50 °C))
Short-time current rating of switching output	[mA]	1500; (20 ms / 0,5 Hz)
Switching frequency AC	[Hz]	25
Switching frequency DC	[Hz]	50
Short-circuit proof		no
Overload protection		no

Detection zone


Sensing range	[mm]	3...15
Sensing range adjustable		yes
Factory setting sensing range	[mm]	15
Real sensing range Sr	[mm]	15 ± 10 %
Operating distance	[mm]	0...12.1

KI0206



Capacitive sensor

KI-2015-ABOA/NI/0,1/LS-100AK

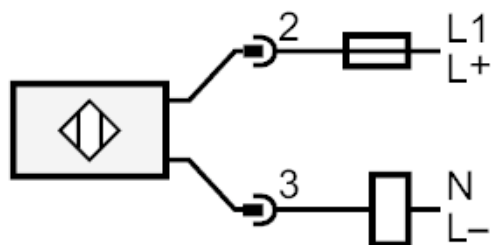
Accuracy / deviations		
Correction factor	glass: 0.4 / water: 1 / ceramics: 0.2 / PVC: 0.2	
Hysteresis [% of Sr]	1...15	
Switch point drift [% of Sr]	-15...15	
Operating conditions		
Ambient temperature [°C]	-25...70	
Protection	IP 65	
Increased immunity	yes; (increased immunity to conducted radio frequency interference)	
Tests / approvals		
EMC	EN 60947-5-2	
MTTF [years]	302	
Mechanical data		
Weight [g]	126	
Housing	threaded type	
Mounting	non-flush mountable	
Dimensions [mm]	M30 x 1.5	
Thread designation	M30 x 1.5	
Materials	PBT	
Displays / operating elements		
Display	switching status	1 x LED, yellow
Electrical connection		
Required protection	miniature fuse to IEC60127-2 sheet 1; ≤ 2 A; fast acting	
Accessories		
Items supplied	lock nuts: 2 screwdriver: 1	
Remarks		
Remarks	Recommendation: Check the safe functioning of the unit after a short circuit.	
Pack quantity	1 pcs.	
Electrical connection - plug		
Cable: 0.1 m, PVC; 2 x 0.5 mm ²		
Connector: 1 x 1/2"; coding: C		
		



KI0206

Capacitive sensor

KI-2015-ABOA/NI/0,1/LS-100AK



Note miniature fuse to IEC60127-2 sheet 1 \leq 2 A fast acting