

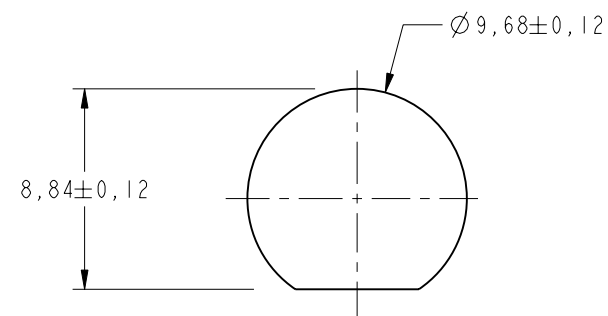
NOTES:

1. MATERIALS AND FINISHES:  
 BODY - BRASS, NICKEL PLATING(.00008 THICK MIN.)  
 CONTACT - BERYLLIUM COPPER, GOLD PLATING(.00003 THICK MIN.)  
 INSULATOR - PTFE
2. ELECTRICAL:  
 A. IMPEDANCE: 50 OHM  
 B. FREQUENCY RANGE: DC - 3 GHz
3. MECHANICAL:  
 A. DURABILITY: TNC, 500 CYCLES MIN.  
                   AMC, 30 CYCLES MIN.  
 B. TEMPERATURE RANGE: -40° C TO 90° C
4. PACKAGING:  
 A. QUANTITY: SINGLE PACK  
 B. MARKING: BAG TO BE MARKED  
           "AMPHENOL, 31-6208, AND DATE CODE"

THIRD ANGLE PROJ.

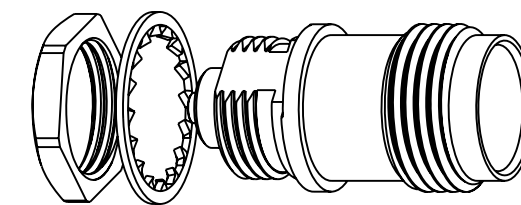
REVISIONS

REV	DESCRIPTION	DATE	ECO	APPR
A	RELEASE TO MFG	3/16/04	44860	GSA
B	TITLE WAS CHANGED	6/15/06	46132	CPM
C	CONTACT WAS CHANGED	20-Oct-11	48821	SH

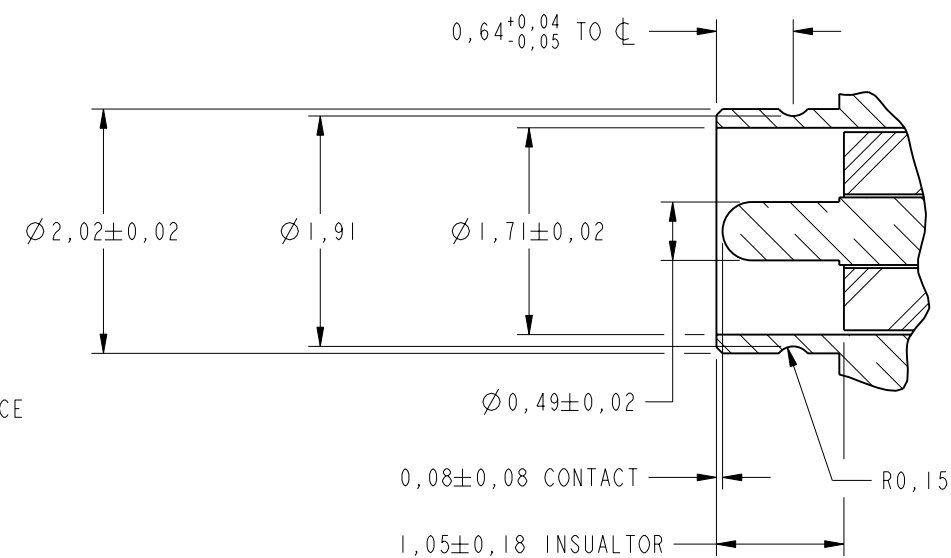
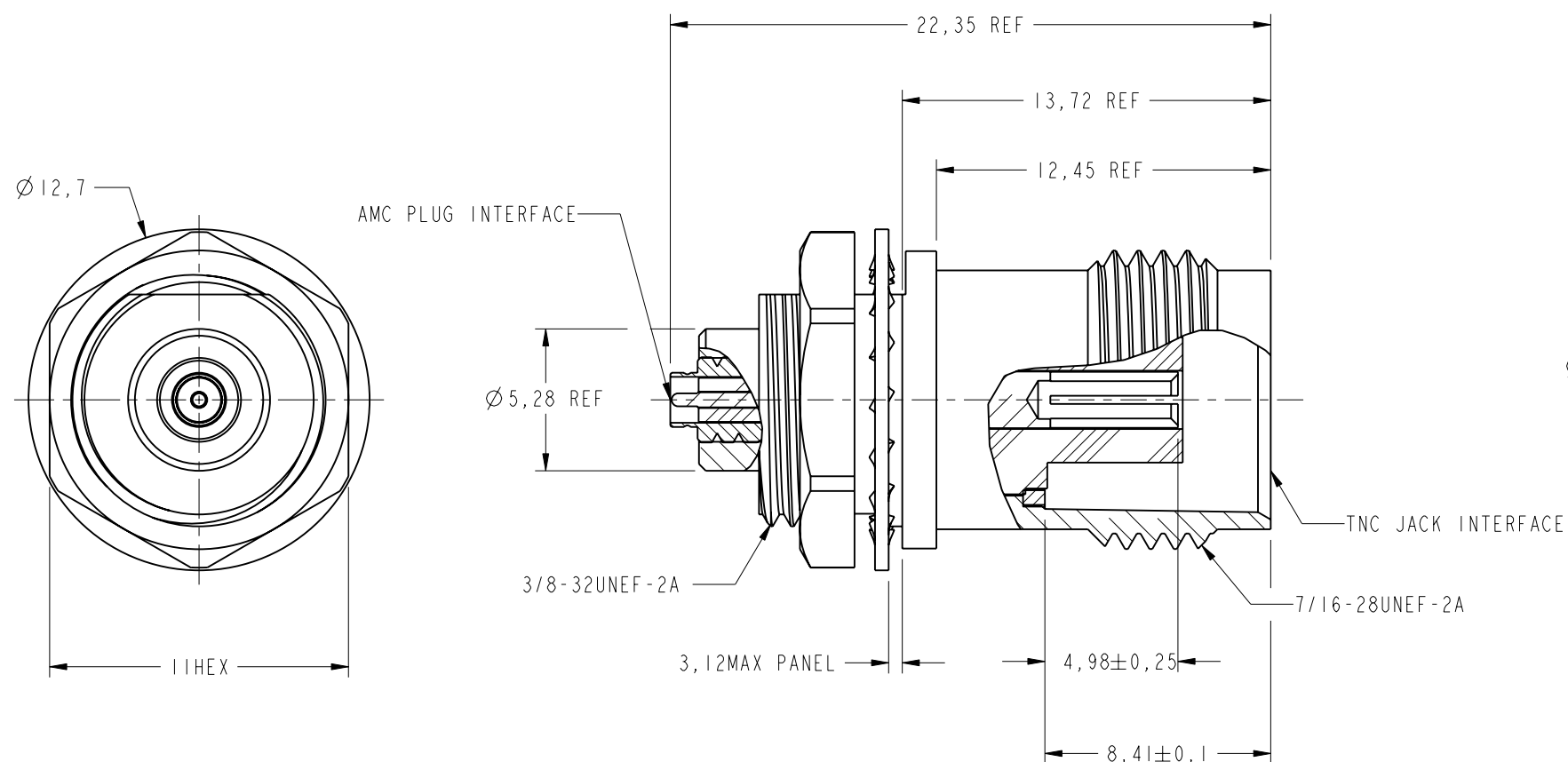


RECOMMENDED MOUNTING HOLE

SCALE 3.000



SCALE 2.000



AMC PLUG INTERFACE DIMENSIONS

**CUSTOMER OUTLINE DRAWING**

ALL OTHER SHEETS ARE FOR INTERNAL USE ONLY

UNLESS OTHERWISE SPECIFIED, DIMENSIONS ARE IN METRIC AND TOLERANCES ARE: <0.5mm ± 0.05mm    0.5 - 6mm ± 0.1mm    6 - 30mm ± 0.2mm    30 - 120mm ± 0.3mm    ANGLES ± 1°	MATERIAL	DRAWN	DATE	TITLE		<b>Amphenol RF</b> Danbury CT USA, Tainan, Taiwan, Shenzhen, China www.amphenolrf.com
	SEE NOTES	I. XU	14-Oct-11			
	REFERENCE	ENGINEER	DATE	SCALE: 4.0:1.0   SHEET 2 OF 2		
	EAR # 1268 AND	G. ANTONINI	2/26/04			
CONFIGURATION LEVEL: <input type="checkbox"/> <input type="checkbox"/> <input type="checkbox"/>	APPROVED	DATE	DRAWING NO. 31-6208			
FINISH	S. HSIEH	17-Oct-11			ITEM NO. 31-6208	
	CAD FILE		PART NO. 31-6208			