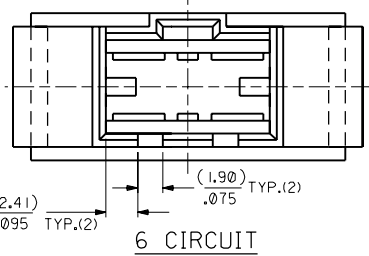
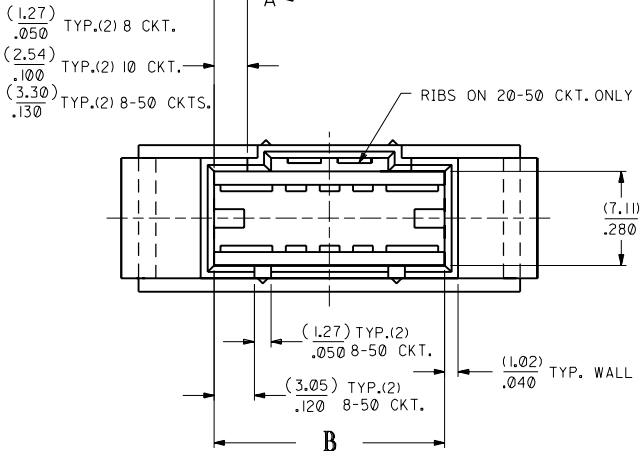
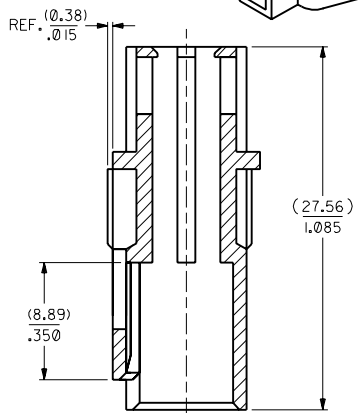
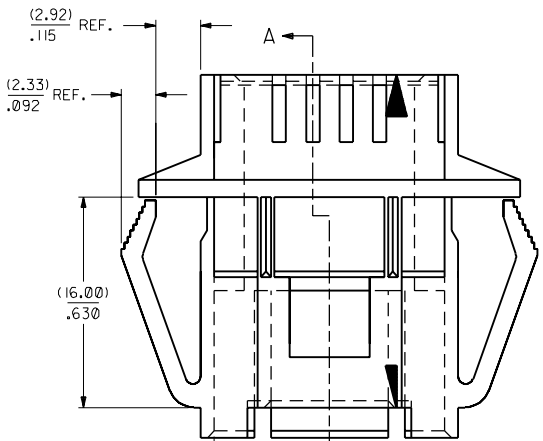
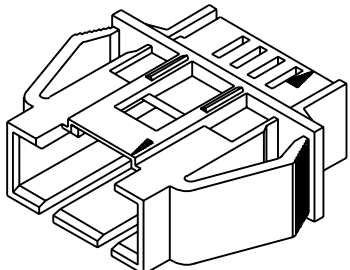
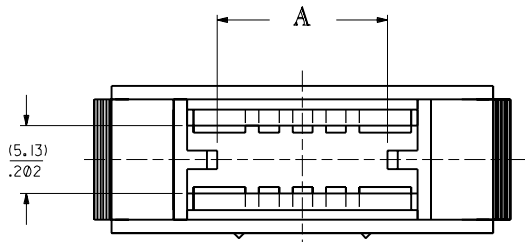


OPTION "A"

- NOTES:  
 1) MATERIAL: POLYESTER 94V-0, GLASS FILLED, COLOR: BLACK  
 2) SEE CHART FOR CIRCUIT SIZES.  
 3) HOUSING TO BE USED WITH 70475 SERIES HOUSINGS (OPTION D) AND DUAL ROW INTERIM CLIP 70013-N\*. SEE PAGE 4 FOR ADDITIONAL 50 CIRCUIT, OPTION "A" MATING INTERIM CLIPS.  
 4) PANEL THICKNESS (0.81)/.032 - (2.36)/.093.  
 5) PACKAGE PER PK-70022-100.



OPTION "A"				
CKT. SIZE	EDP. NO.	ENG. NO.	DIM. "A"	DIM. "B"
4	NOT TOOLED	X-70022-0009	(5.21) ± .205	(9.91) ± .390
6	50-65-0006	70022-0001	(7.75) ± .305	(12.45) ± .490
8	50-65-0008	70022-0007	(10.29) ± .405	(14.99) ± .590
10	50-65-0010	70022-0002	(12.83) ± .505	(17.53) ± .690
12	50-65-0012	70022-0012	(15.37) ± .605	(20.07) ± .790
14	50-65-0014	70022-0014	(17.91) ± .705	(22.61) ± .890
16	50-65-0016	70022-0016	(20.45) ± .805	(25.15) ± .990
18	50-65-0018	70022-0018	(22.99) ± .905	(27.69) ± 1.090
20	50-65-0020	70022-0003	(25.53) ± 1.005	(30.23) ± 1.190
22	50-65-0022	70022-0022	(28.07) ± 1.105	(32.77) ± 1.290
24	50-65-0024	70022-0024	(30.61) ± 1.205	(35.31) ± 1.390
26	50-65-0026	70022-0026	(33.15) ± 1.305	(37.85) ± 1.490
28	50-65-0028	70022-0028	(35.69) ± 1.405	(40.39) ± 1.590
30	50-65-0030	70022-0004	(38.23) ± 1.505	(42.93) ± 1.690
32	50-65-0032	70022-0032	(40.77) ± 1.605	(45.47) ± 1.790
34	50-65-0034	70022-0034	(43.31) ± 1.705	(48.01) ± 1.890
36	50-65-0036	70022-0036	(45.85) ± 1.805	(50.55) ± 1.990
38	50-65-0038	70022-0038	(48.39) ± 1.905	(53.09) ± 2.090
40	50-65-0040	70022-0005	(50.93) ± 2.005	(55.63) ± 2.190
42	50-65-0042	70022-0042	(53.47) ± 2.105	(58.17) ± 2.290
44	50-65-0051	70022-0044	(56.01) ± 2.205	(60.71) ± 2.390
46	50-65-0046	70022-0046	(58.55) ± 2.305	(63.25) ± 2.490
48	50-65-0048	70022-0048	(61.09) ± 2.405	(65.79) ± 2.590
50	50-65-0050	70022-0006	(63.63) ± 2.505	(68.33) ± 2.690

ADD SHEET 4 50 CKT. MATED OPT ENC. U00986 11/27/93 HPA REVISIONS 1-11-94 2-11-94 3-11-94 4-11-94 5-11-94 6-11-94 7-11-94 8-11-94 9-11-94 10-11-94 11-11-94 12-11-94 1-12-94 2-12-94 3-12-94 4-12-94 5-12-94 6-12-94 7-12-94 8-12-94 9-12-94 10-12-94 11-12-94 12-12-94		UNLESS OTHERWISE SPECIFIED TOLERANCES ANGULAR ± 1/2° INCH METRIC 3 PLACE ± .010 --- 2 PLACE ± .014 ± 0.25 1 PLACE --- ± 0.35 DRAFT WHERE APPLICABLE MUST REMAIN WITHIN DIMENSIONS DRG. BY DJK CKD. BY MJM FILE NAME APP'D. BY MJM SCALE 4:1		DIMENSIONS SHOWN METRIC INCH UNLESS OTHERWISE SPECIFIED TOLERANCES ANGULAR ± 1/2° INCH METRIC 3 PLACE ± .010 --- 2 PLACE ± .014 ± 0.25 1 PLACE --- ± 0.35 DRAFT WHERE APPLICABLE MUST REMAIN WITHIN DIMENSIONS DRG. BY DJK CKD. BY MJM FILE NAME APP'D. BY MJM SCALE 4:1		TITLE HOUSING, PANEL MOUNT (DUAL ROW) (OPT. D HSG. TO DUAL ROW CLIP) SHEET NO. 4 OF 4 DATE 06/28/90 PART NO. L15LJL.L. 69532 DRG. NO. SD-70022-0000	
ADD PKG NOTE PER UDT2000-0468 SCHAFFER 93/12/1		REPLACES SD-70022-0000 1-0040-0000 ECR * 00500 06-28-90 MJM/DJK		MOLEX INCORPORATED LITTLE ROCK, AR 72202 U.S.A. SEE CHART SD-70022-0000		THIS DRAWING CONTAINS INFORMATION THAT IS PROPRIETARY TO MOLEX INC. AND SHOULD NOT BE USED WITHOUT WRITTEN PERMISSION.	