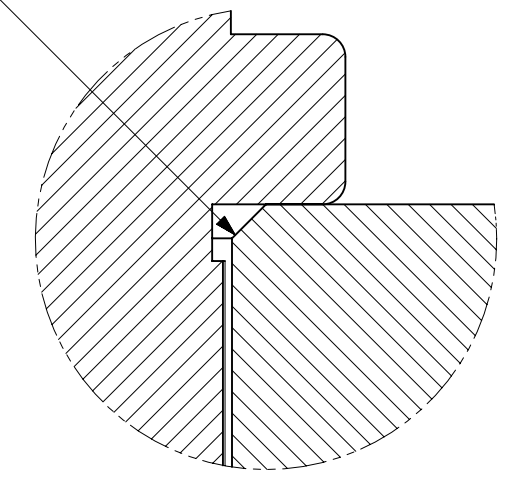
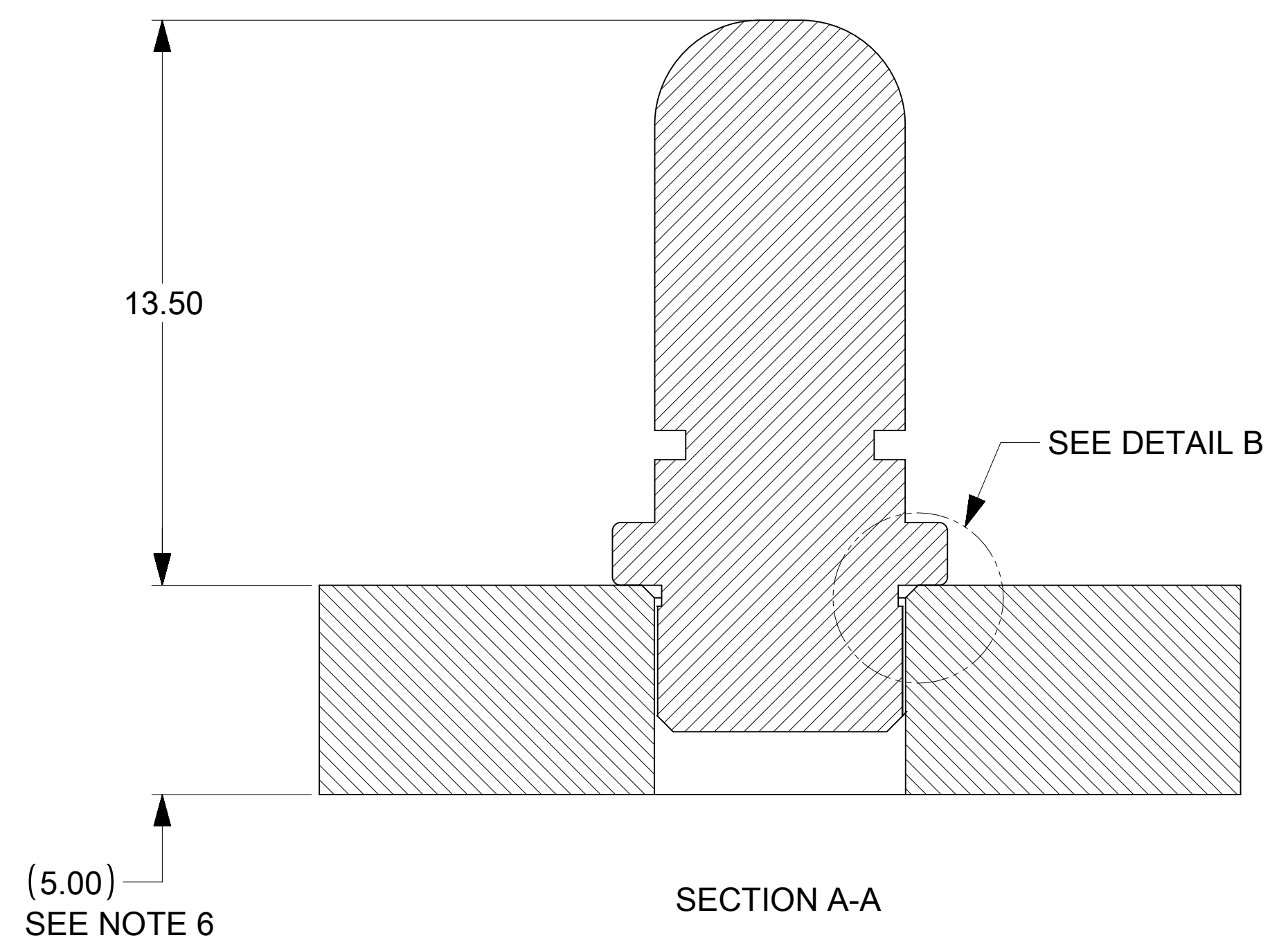
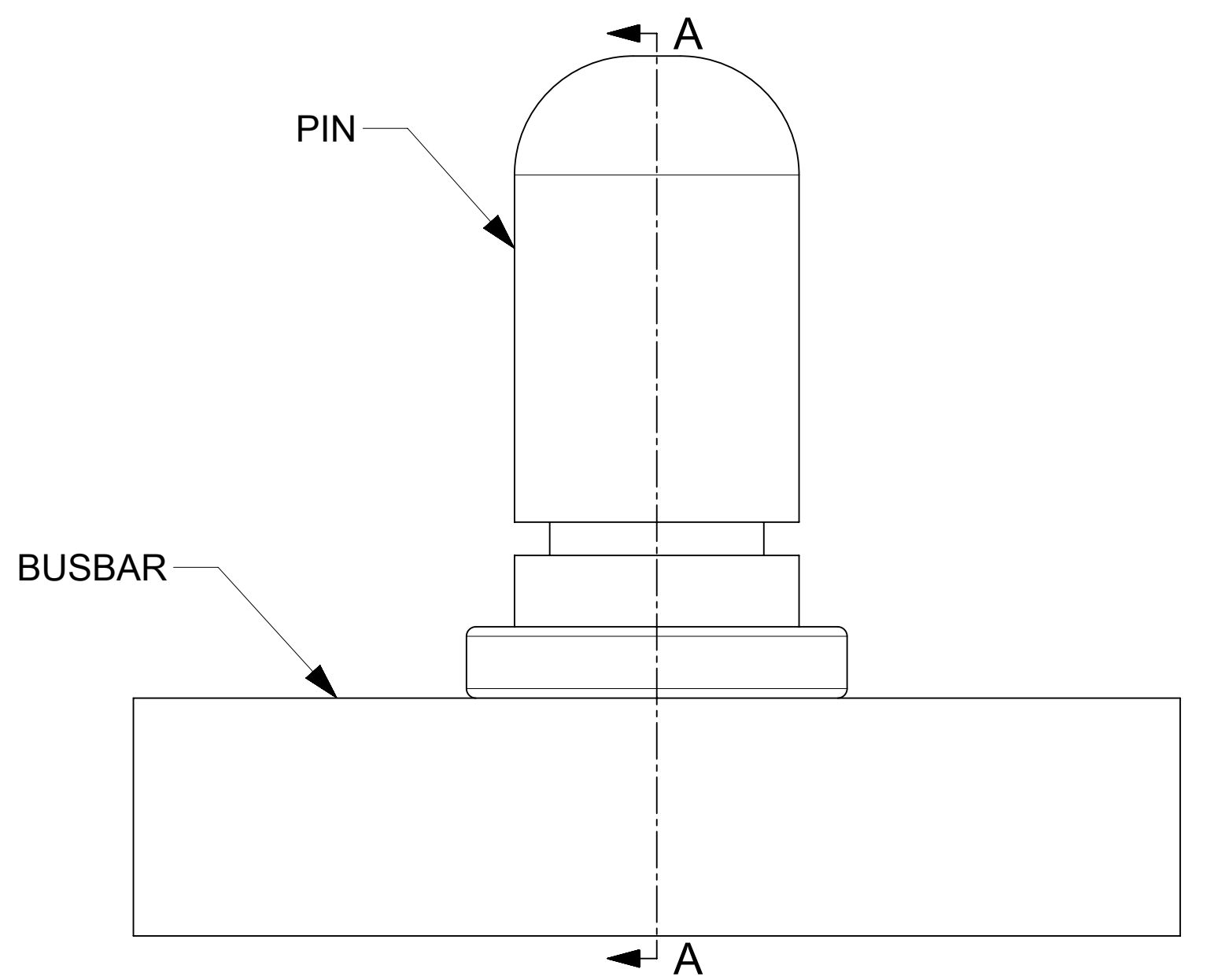
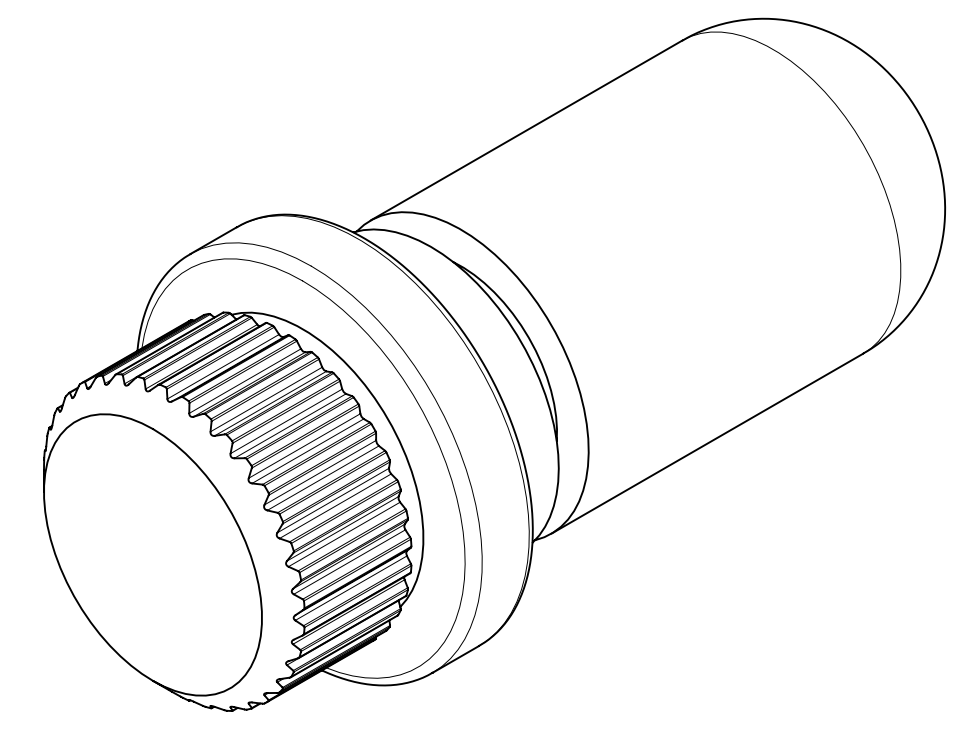
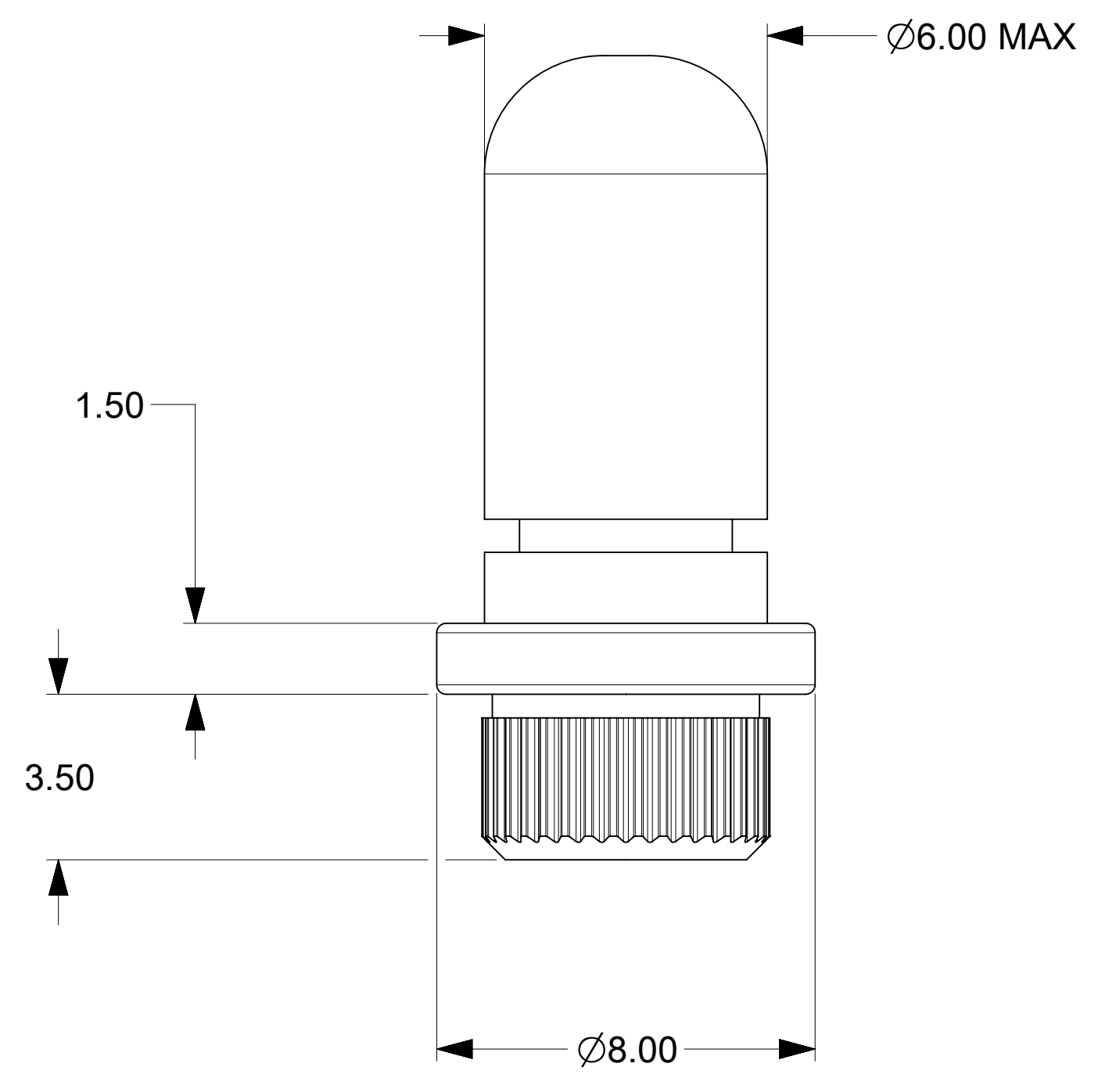


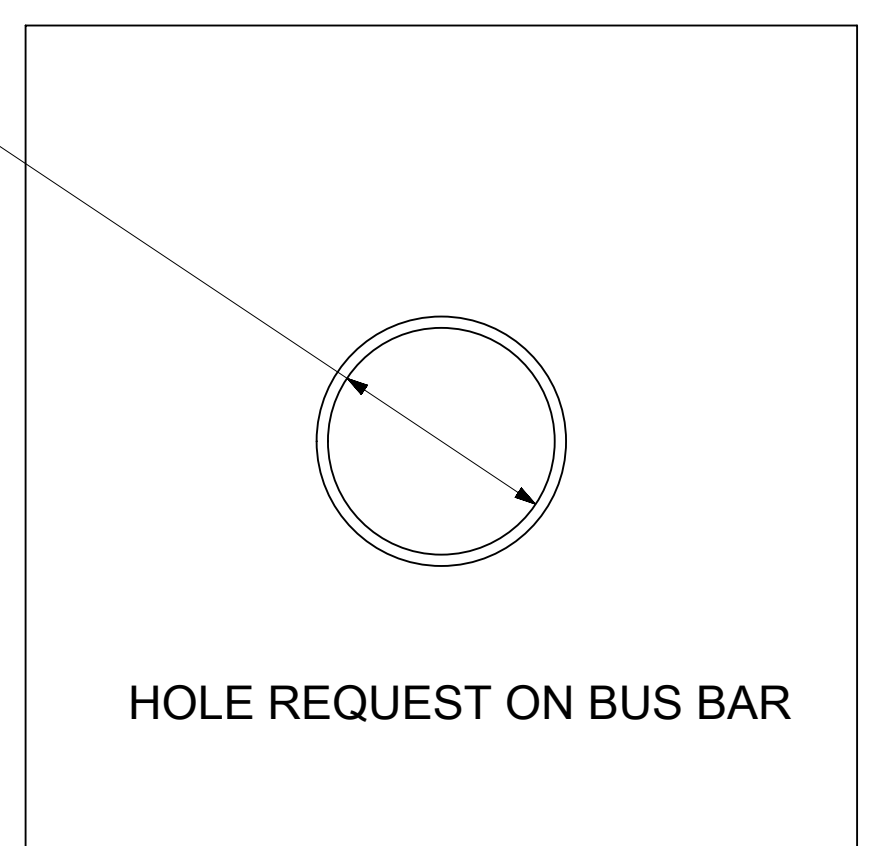
C 0.30
ON BUSBAR HOLE



DETAIL B
SCALE 15:1



Ø6.00 ±0.02
(USE REAMER)



BUS BAR LAYOUT: COMPONENT SIDE

NOTES:

1. MATERIALS:
BASE METAL: HIGH CONDUCTIVE COPPER ALLOY
PLATING ON BODY: 3.18 MICRON MIN SILVER OVER 1.27 MICRON MIN NICKEL
2. SILVER COMPONENTS WILL BE SUPPLIED TARNISH FREE
BUT MAY TARNISH OVER TIME.
3. MINIMUM RECOMMENDED BUSBAR THICKNESS IS 1.5MM
4. PRODUCT SPECIFICATION: 2178840001-PS.
5. APPLICATION SPECIFICATION: 2178840001-AS
6. PACKAGING SPECIFICATION: BULK PACKAGING AS PER 2183350001-PK

THIS DRAWING CONTAINS INFORMATION THAT IS PROPRIETARY TO MOLEX ELECTRONIC TECHNOLOGIES, LLC AND SHOULD NOT BE USED WITHOUT WRITTEN PERMISSION												
DIMENSION UNITS mm		SCALE 5:1		CURRENT REV DESC: PRODUCT RELEASE				molex				
GENERAL TOLERANCES (UNLESS SPECIFIED)						EC NO: 741091						6MM SW1 PRESS-FIT LOCKING PIN
ANGULAR TOL ± 0.5°		4 PLACES ±		DRWN: SREENA1		2022/11/24		PRODUCT CUSTOMER DRAWING				
3 PLACES ±		2 PLACES ± 0.15		CHK'D: GSHARMA		2023/03/06		DOCUMENT NUMBER				
1 PLACE ± 0.25		0 PLACES ±		APPR: HTHYAGARAJ		2023/03/06		2183350001		PSD	000	B2
DRAFT WHERE APPLICABLE MUST REMAIN WITHIN DIMENSIONS		THIRD ANGLE PROJECTION		DRAWING		SERIES		MATERIAL NUMBER		CUSTOMER		SHEET NUMBER
				D-SIZE		218335		2183350001		GENERAL MARKET		1 OF 1