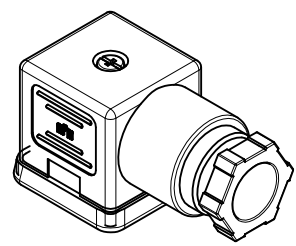


		FINISHED GOOD PART No	
		S18211NE0515400	S18211GE0515400
PART No	DESCRIPTION	QUANTITY	QUANTITY
1211331479	S18 INSERT E0 CIRCUIT NO TAMPO	100	100
1211310083	COVER ASSEMBLY, PG11, BLACK	100	-
1211310084	COVER ASSEMBLY, PG11, GREY	-	100
1211290001	BAG OF 100 M3 BY 29mm SCREWS	1	1
1211290080	BAG OF 100 G11 GASKETS, BLACK	1	1

- NOTES:
1. PRODUCT SPEC: PS-121201-001
 2. PACKAGING: STANDARD BOX 1211160003, FIVE STANDARD BOXES IN A BIGGER BOX 1211160004
 3. SPQ: 100, MOQ: 100
 4. LABELLING: MOLEX STANDARD LABEL
 5. EARTH POSITION: H12
 6. PARTS ARE BULK PACK MOUNTED

LAST INSPECTION NUMBER USED: 11



UPDATED INSERT
 EC NO: WEU2011-0633
 DRWING: MAHER_WEU 2011/06/10
 CHKD:
 APPR: EFOLAN 2011/06/20

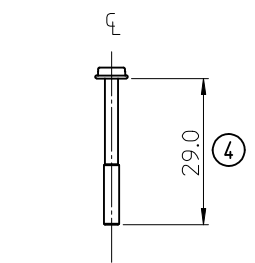
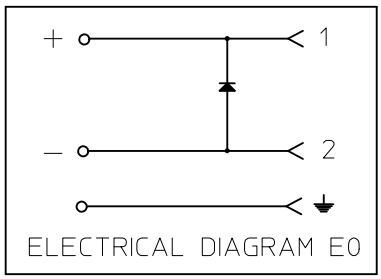
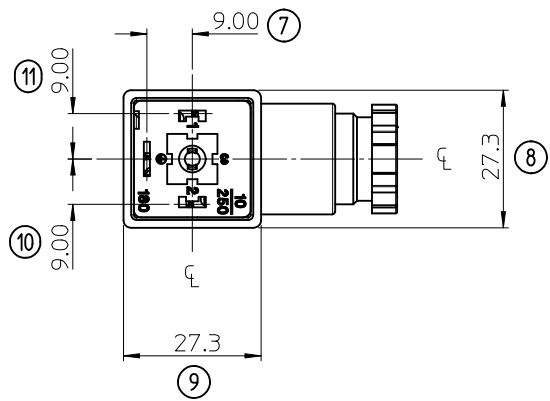
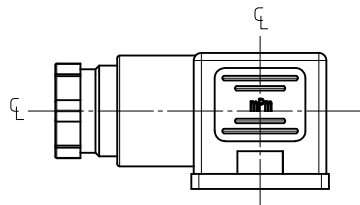
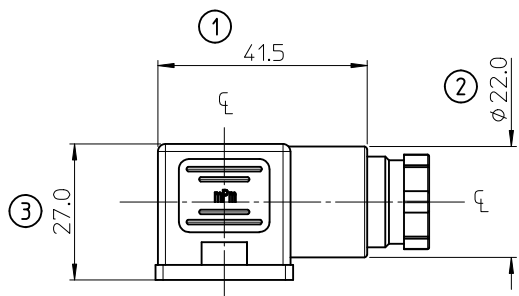
QUALITY SYMBOLS
 ▽=0
 ◻=0

	GENERAL TOLERANCES (UNLESS SPECIFIED)	
	mm	INCH
4 PLACES	± ---	± ---
3 PLACES	± ---	± ---
2 PLACES	± 0.10	± ---
1 PLACE	± 0.2	± ---
ANGULAR ± ---°		

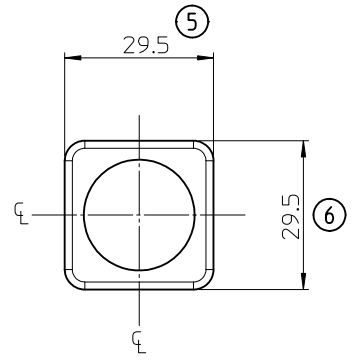
DRAFT WHERE APPLICABLE MUST REMAIN WITHIN DIMENSIONS

DIMENSION STYLE		SCALE	DESIGN UNITS
MM ONLY		1:1	METRIC
DRAWN BY	DATE	TITLE	
DSHEA	2011/02/17	S182 SERIES FIELD ATTACHABLE	
CHECKED BY	DATE		
APPROVED BY	DATE		
EFOLAN	2011/03/21		
MATERIAL NO.	DOCUMENT NO.		
SEE TABLE	SD-121065-001		
SIZE	THIS DRAWING CONTAINS INFORMATION THAT IS PROPRIETARY TO MOLEX INCORPORATED AND SHOULD NOT BE USED WITHOUT WRITTEN PERMISSION		
A3			

THIRD ANGLE PROJECTION	
MOLEX INCORPORATED	
SHEET NO.	1 OF 1



29mm M3 SCREW



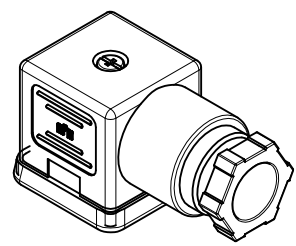
G11 GASKET

NOTES:

1. PRODUCT SPEC: PS-121201-001
2. PACKAGING: STANDARD BOX 1211160003, FIVE STANDARD BOXES IN A BIGGER BOX 1211160004
3. SPQ: 100, MOQ: 100
4. LABELLING: MOLEX STANDARD LABEL
5. EARTH POSITION: H12
6. PARTS ARE BULK PACK MOUNTED

LAST INSPECTION NUMBER USED: 11

		FINISHED GOOD PART No	
PART No	DESCRIPTION	S18211NE0515400	S18211GE0515400
1211331479	S18 INSERT E0 CIRCUIT NO TAMPO	1210650230	1210650229
1211310083	COVER ASSEMBLY, PG11, BLACK	100	100
1211310084	COVER ASSEMBLY, PG11, GREY	100	-
1211290001	BAG OF 100 M3 BY 29mm SCREWS	-	100
1211290080	BAG OF 100 G11 GASKETS, BLACK	1	1



UPDATED INSERT
 EC NO: WEU2011-0633
 DRWING: MAHER_WEU 2011/06/10
 CHKD:
 APPR: EFOLAN 2011/06/20

QUALITY SYMBOLS
 ▽=0
 ◻=0

	GENERAL TOLERANCES (UNLESS SPECIFIED)	
	mm	INCH
4 PLACES	± ---	± ---
3 PLACES	± ---	± ---
2 PLACES	± 0.10	± ---
1 PLACE	± 0.2	± ---
ANGULAR ± ---°		

DRAFT WHERE APPLICABLE MUST REMAIN WITHIN DIMENSIONS

DIMENSION STYLE		SCALE	DESIGN UNITS
MM ONLY		1:1	METRIC
DRAWN BY	DATE	TITLE	
DSHEA	2011/02/17	S182 SERIES FIELD ATTACHABLE	
CHECKED BY	DATE	MOLEX INCORPORATED	
APPROVED BY	DATE	DOCUMENT NO.	
EFOLAN	2011/03/21	SD-121065-001	
MATERIAL NO.		SHEET NO.	
SEE TABLE		1 OF 1	

THIS DRAWING CONTAINS INFORMATION THAT IS PROPRIETARY TO MOLEX INCORPORATED AND SHOULD NOT BE USED WITHOUT WRITTEN PERMISSION