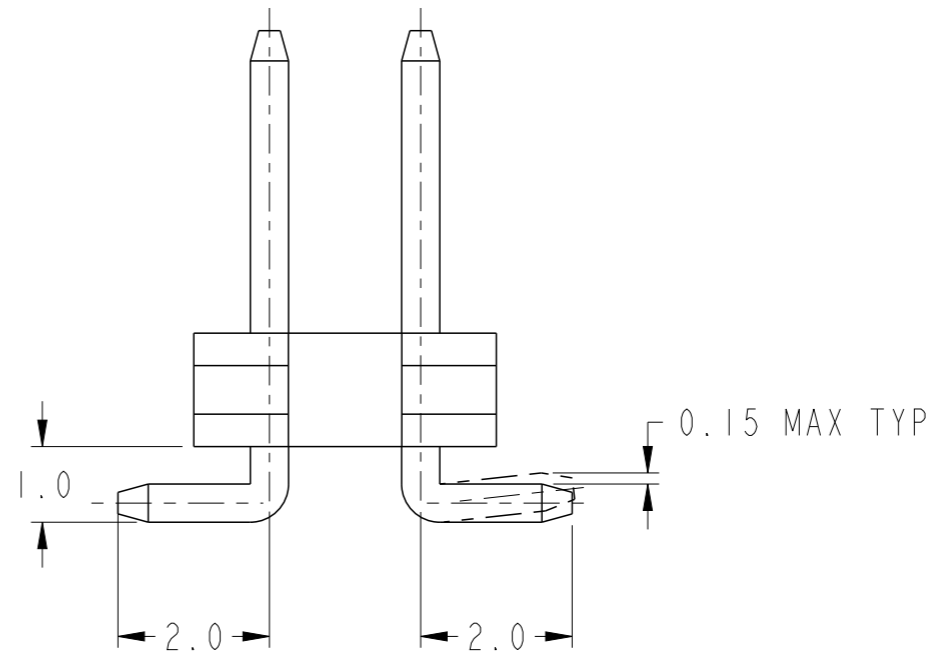


0.10
NOTE 6

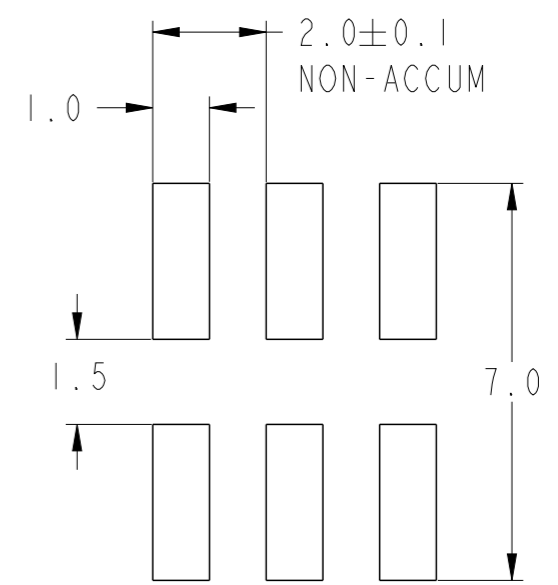


spec ref	-	dr	Tim Yang	2014/04/03	projection	MM	size	A3	scale	10:1
tolerance std	ISO 406 ISO 1101	eng	Tim Yang	2014/04/04			ecn no	-	rel level	Released
TOLERANCES UNLESS OTHERWISE SPECIFIED		chr	-	-			product family	MINITEK	rel level	Released
surface	ISO 1302	appr	Rick Bian	2014/04/04			dwg no	10129595	rev	A
	linear	0.X	±0.50							
		0.XX	±0.25							
		0.XXX	±0.10							
	angular	0°	±3°	www.fci.com	cat. no.	-	Product - Customer Drw		sheet 1 of 2	

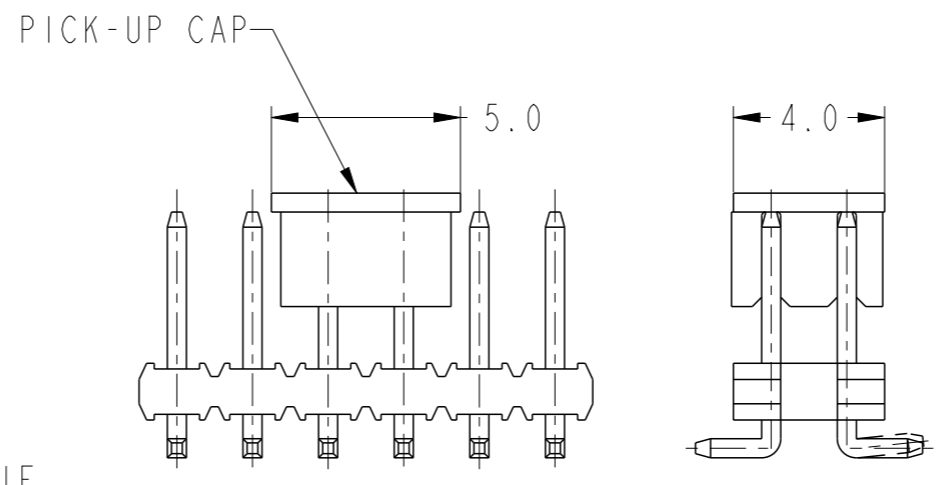
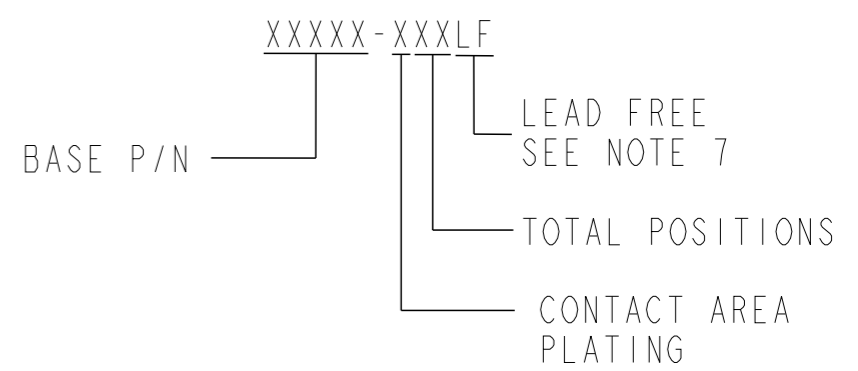
PRODUCT NO.	POS	DIM X	DIM Y
10129595-X04	2X2	2	4
10129595-X06	2X3	4	6
10129595-X08	2X4	6	8
10129595-X10	2X5	8	10
10129595-X12	2X6	10	12
10129595-X14	2X7	12	14
10129595-X16	2X8	14	16
10129595-X18	2X9	16	18
10129595-X20	2X10	18	20
10129595-X22	2X11	20	22
10129595-X24	2X12	22	24
10129595-X26	2X13	24	26
10129595-X28	2X14	26	28
10129595-X30	2X15	28	30
10129595-X32	2X16	30	32
10129595-X34	2X17	32	34
10129595-X36	2X18	34	36
10129595-X38	2X19	36	38
10129595-X40	2X20	38	40
10129595-X42	2X21	40	42
10129595-X44	2X22	42	44
10129595-X46	2X23	44	46
10129595-X48	2X24	46	48
10129595-X50	2X25	48	50

- COPLANARITY OF SOLDER LEADS TO BE WITHIN 0.10mm.
- 10129595-XXXLF IS SAME AS 10129595-XXX. THE SUFFIX 'LF' IS ADDED JUST FOR EASY LEAD FREE IDENTIFICATION.
- THE HOUSING WILL WITHSTAND EXPOSURE TO 255°C PEAK TEMPERATURE FOR 10 SECONDS IN A CONVECTION, INFRA-RED OR VAPOR PHASE REFLOW OVEN.
- THE HOUSING WILL WITHSTAND EXPOSURE TO 260°C PEAK TEMPERATURE FOR 10 SECONDS IN A WAVE SOLDER APPLICATION WITH A 1.57MM MINIMUM THICK CIRCUIT BOARD.
- THIS PRODUCT MEETS EUROPEAN UNION DIRECTIVES AND OTHER COUNTRY REGULATIONS AS DESCRIBED IN GS-22-008.
- A $\triangle C$ SYMBOL WILL BE NEXT TO ANY DIMENSION, VIEW OR NOTE WHICH HAS BEEN MODIFIED WITH THE CURRENT DRAWING REVISION.

PLATING	DESCRIPTION
1	0.76um/30u" MIN Au
2	0.15um/6u" MIN GXT
3	0.38um/15u" MIN Au
4	0.05um/2u" MIN Au
5	0.38um/15u" MIN GXT
6	0.76um/30u" MIN GXT
7	2.54um/100u" MIN MATTEN SN
8	0.20um/8u" MIN Au



PART NUMBER INFORMATION



NOTE 5(c)
SCALE 5:1

NOTES:

- MATERIAL:
BODY : HIGH TEMPERATURE PLASTIC UL 94V-0 BLACK
PIN : COPPER ALLOY
- TOLERANCE UNLESS OTHERWISE NOTED ± 0.25
- DIM 1.0 ± 0.15 APPLIES TO MOLDED SIDE(S) ONLY. IF SIDE(S) ARE BROKEN, DIM 1.5 MAX APPLIES.
- RECESS APPLIES TO MOLDED SIDE(S) ONLY.
- PACKAGING:
a) STANDARD PACKAGING IN PLASTIC BAG.
b) SPECIFY 10129595-XXXT FOR TUBE PACKAGING.
c) SPECIFY 10129595-XXXTR FOR TAP AND REEL PACKAGING.
A PICK-UP CAP IS PROVIDED IN THE CENTRE OF THE PRODUCT (SEE FIG.1) FOR PICK AND PLACE APPLICATION. PLEASE CHECK WITH FACTORY ON AVAILABILITY OF TAPE & REEL PACKAGING.

dr	Tim Yang	2014/04/03	projection	MM	size	A3	scale	10:1
eng	Tim Yang	2014/04/04			ecn no		-	
chr	-	-			rel level		Released	
appr	Rick Bian	2014/04/04	product family		MINITEK		rel level	
			MINITEK II		dwg no		10129595	
www.fci.com			SMT STR HEADER		cat. no.		-	
			Product - Customer Drw		sheet 2 of 2		rev	
			A					

Copyright FCI.