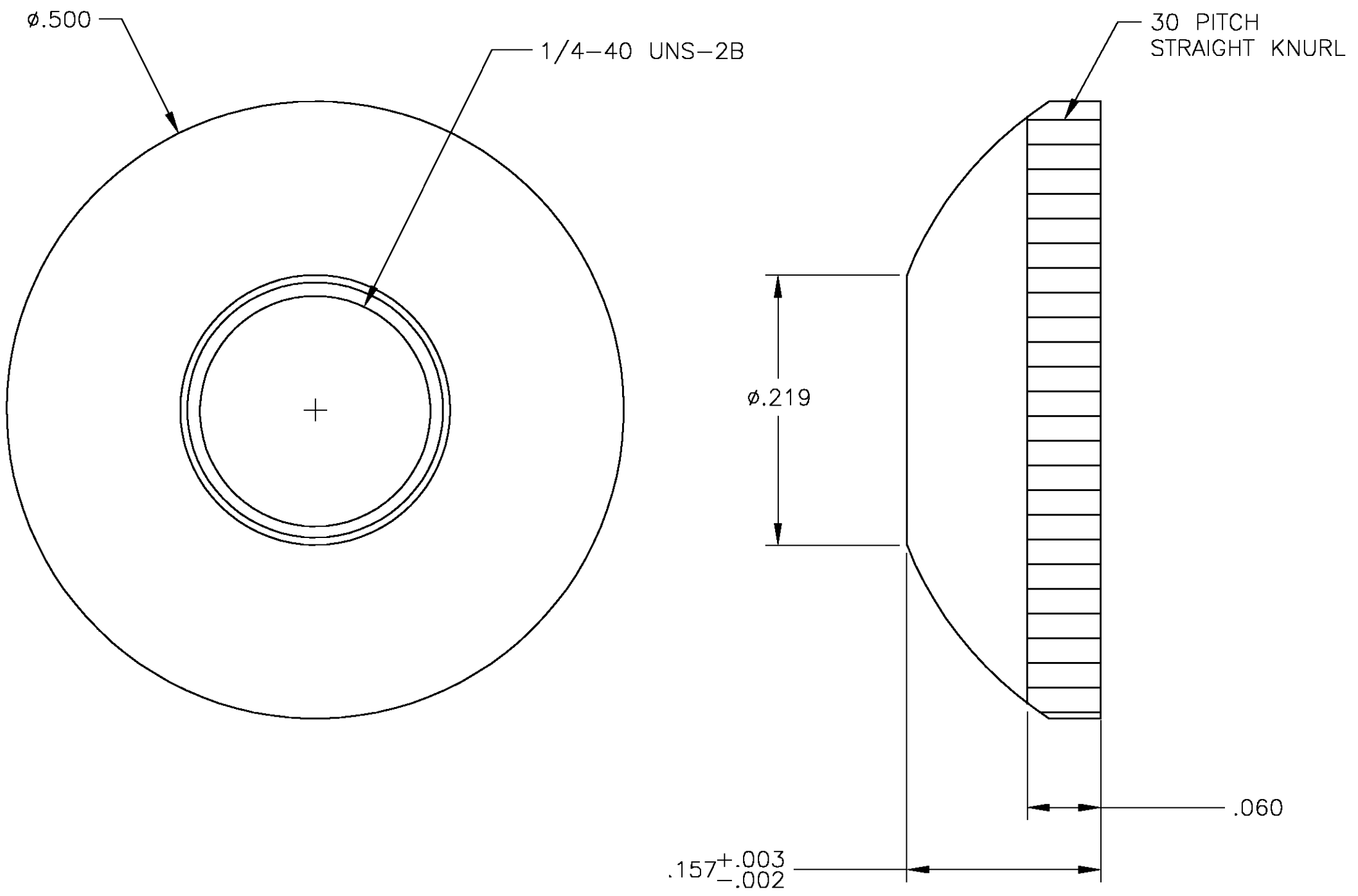


THIS DRAWING IS UNPUBLISHED. RELEASED FOR PUBLICATION  
 © COPYRIGHT BY TYCO ELECTRONICS CORPORATION. ALL RIGHTS RESERVED.

LOC	DIST	REVISIONS			
P	LTR	DESCRIPTION	DATE	DWN	APVD
	A	REV PER 0G3C-0083-04	16FEB04	RB	MZ



10910	1451084-1
ALCO PART NUMBER	PART NUMBER

THIS DRAWING IS A CONTROLLED DOCUMENT.		DWN M.BINNER 25OCT2001	Tyco Electronics Corporation Harrisburg, PA 17105	
DIMENSIONS: INCHES		CHK M.ZITTO 24OCT01		
		APVD M.ZITTO 24OCT01	NAME NUT, 1/4-40, DECORATIVE (TT SERIES)	
TOLERANCES UNLESS OTHERWISE SPECIFIED:		PRODUCT SPEC	-	
0 PLC ± -		APPLICATION SPEC	-	
1 PLC ± -		WEIGHT	-	
2 PLC ± -		SIZE	A3	RESTRICTED TO
3 PLC ± .005		CAGE CODE	00779	DRAWING NO C-1451084
4 PLC ± -		SCALE	10:1	
ANGLES ± -		SHEET	1 OF 1	REV
MATERIAL BRASS	FINISH BRIGHT NICKEL	CUSTOMER DRAWING	A	