

UCAM-120

2D Smart Counting Camera



Features

- UCAM smart counting technology
- High counting accuracy rate up to 95%
- Local storage data for counting report
- Easy installation and configuration
- Comprehensive API for data integration

Introduction

Among single-lens video sensors, Advantech UCAM 2D Smart Counting Camera can achieve the highest accuracy at affordable price with its powerful data capturing and built-in analytic function. It is ideal for use in indoor environments with low to medium passenger flow for traffic intelligence purposes including bi-directional traffic flow counting. Traffic data from up to eight zones can be collected in real-time, packaged in XML format and delivered to the cloud or local server for generating business reports that can be customized based on customer needs. With open interface and good compatibility, Advantech's UCAM 2D Smart Counting Camera enables businesses to integrate people counting system with other systems such as ERP, CRM or Business Intelligence. The device also supports recessed and wall mounting or ceiling mounting for flexible installation while blending in with any interior or exterior.

ADVANTAGES

More Accurate

Compare with general 2D camera which only captures 6 to 7 images per second, Advantech UCAM 2D camera can capture 20 images per second which enables a better data processing efficiency and reaches counting accuracy to 95%.

Software Integration

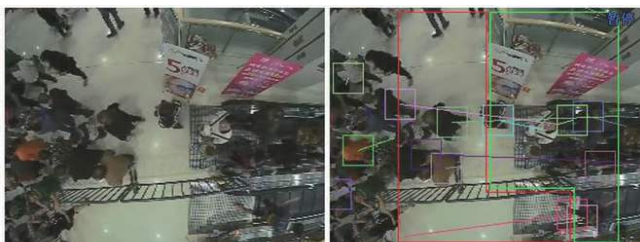
Retailers can access the traffic data through UShop Cloud API to integrate with existing enterprise software such as ePOS, ERP, CRM, EAS, etc.

Cost Effective

The 2D smart counting camera integrates video analytics and data management at the edge and reduces total cost of ownership by eliminating the need for additional computers or data collection devices. Software comes with full standard functions, including scheduled reports, data reporting at different time slots.

People Counting Analytic

The device integrates video analytic and data management at the edge, providing a 95% of counting accuracy in large traffic circumstance.



Complete Configuration

An integrated web server enables complete configuration and management via standard web browsers either locally at the store or remotely over WAN.

Simple System Scale up

Scaling the system can be accomplished by simply adding additional devices to the network. Industry standard 802.3af Power-over-Ethernet is supported to facilitate utilization of existing networking infrastructure and network management tools.

Simple Wiring

Only require 1x network port for power supply and data transmission purpose is required in the installation process. The data remains in the device to 80 days even if the network disconnected.

UShop Store Traffic Report

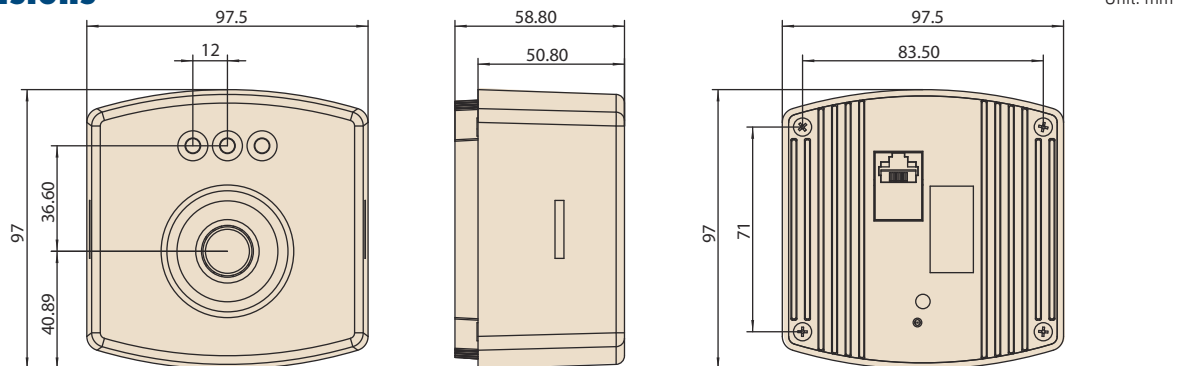
Users can purchase the UCAM 2D Camera with UShop+ Store BI public cloud service. With open RESTful API supported, users can integrate the data and optimize the store management through SaaS service in a more efficient way.



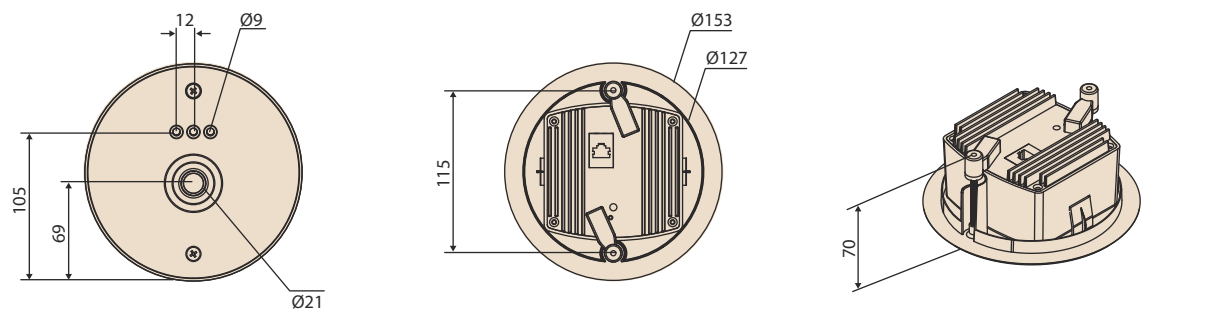
Specifications

Hardware	Materials	Shell: Flame Retardant Polycarbonate (UL94 V-0 Flame Class Rating or Equivalent)
	Dimensions	Device: 95 x 95 x 58 mm Package Box: 173 x 118 x 87 mm
	Weight	0.5kg
	Power	5W
	Lens Options	2.2mm wide-angle lens
	Internal Storage	512MB DD3R
	Flash	8GB EMMC
	Network	100M Ethernet
	RTC working time	Minimum 3 days after a power outage
	LED	3 dual-color LED
Work Environment	Power Supply	13.5W POE
	Working Temperature	0°C – 50°C
Parameters	Mounting Height	2.5m – 5m
	Tilt Angle	10° – +10°
	Maximum Tracking Capability	20 - 100 people simultaneously (need license to support) Traffic flow of 1,000 people per hour, ≥95%
	Accuracy	Traffic flow of 3,000 people per hour, ≥90%
		Traffic flow of 5,000 people per hour, ≥85%

Dimensions



Recessed Mount



Ordering Information

Part Number	Description
UCAM-120A-U01	2D Smart Counting Camera with recessed mounting kit
UCAM-PS20-U01	Recessed mounting kit
UCAM-PS21-U01	Surface mounting kit