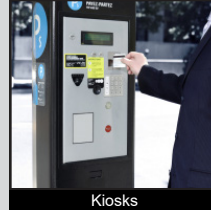


PV0 SERIES ANTI-VANDAL SWITCH

ANTI-VANDAL SWITCHES
DETECTOR SWITCHES
DIP SWITCHES
KEYLOCK SWITCHES
NAVIGATION SWITCHES
PUSHBUTTON SWITCHES
ROCKER SWITCHES
ROTARY SWITCHES
SLIDE SWITCHES
SNAP ACTION SWITCHES
TACTILE SWITCHES
TOGGLE SWITCHES
CAP OPTIONS



APPLICATIONS / MARKETS



SPECIFICATIONS

Electrical Rating: 2A, 36VDC
Mechanical Life: 1,000,000 Cycles
Electrical Life: 50,000 Cycles
Contact Resistance: 50mΩ Max.
Insulation Resistance: 1000 MΩ Min.
Dielectric Strength: 2,000VAC
Operating/Storage Temperature: -25°C to 55°C
Travel: 1.50mm
Moisture Protection: IP67
Contact Arrangement: SPST Off-(On)
Actuation Force: 4 N
Panel Thickness: 1-6mm
Mounting Nut Torque: 5-14Nm

FEATURES & BENEFITS

- 12mm panel cutout
- Ring or dot illumination options
- Multiple LED color options including RGB
- IP67 rated

PART NUMBER CONFIGURATOR

Series	Actuator Options	Terminal Options	Function Options	Rating Options	Body Finish Options	Actuator Finish Options	Contact Material Options	Lens Style Options	LED-Color Options	Illumination Voltage Options
<input type="text" value="PV0"/>	<input type="text" value="H - High"/>	<input type="text" value="2 - Solder"/>	<input type="text" value="4 - Off - (On)*"/>	<input type="text" value="0 - 2A, 36VDC"/>	<input type="text" value="S - Stainless Steel"/>	<input type="text" value="S - Stainless Steel"/>	<input type="text" value="NONE - Silver"/>	<input type="text" value="NONE - Non-Illuminated"/>	<input type="text" value="NONE - Non-Illuminated"/>	<input type="text" value="NONE - Non-Illuminated"/>
					1 - Black Anodized	1 - Black Anodized		2 - Dot Illumination	0 - White	1 - Base Voltage [†]
								3 - Ring Illumination	1 - Red	
									2 - Orange	
									3 - Green	
									4 - Blue	
									5 - Yellow	
									R - RGB	

NOTES:

* (ON) Denotes function is momentary

[†] Base voltage on LEDs:

1.8V @ 20mA for Red, Yellow and Orange LED colors

2.8V @ 20mA for Blue, Green and White LED colors

Specifications subject to change without notice 2.1.23



E-SWITCH®

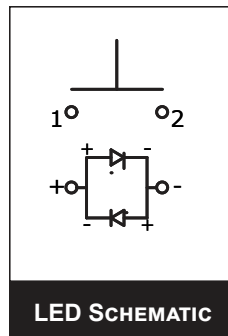
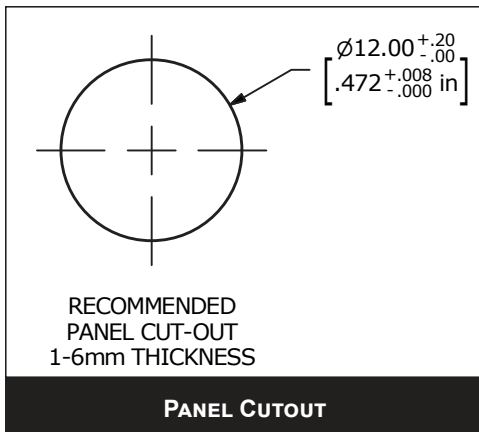
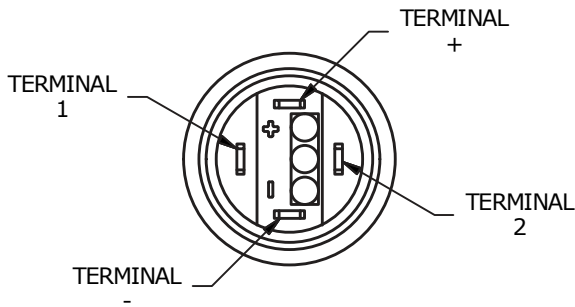
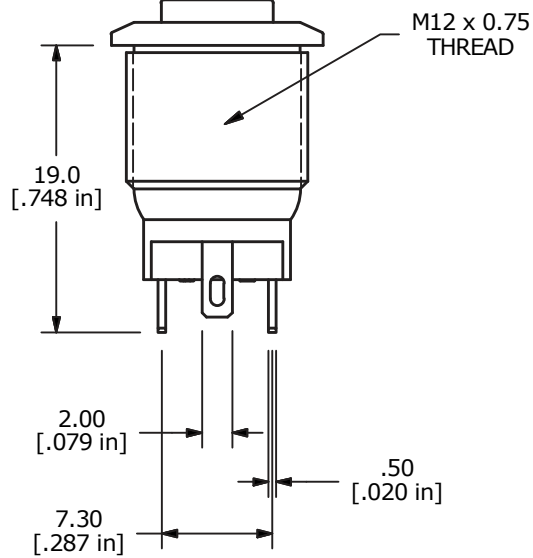
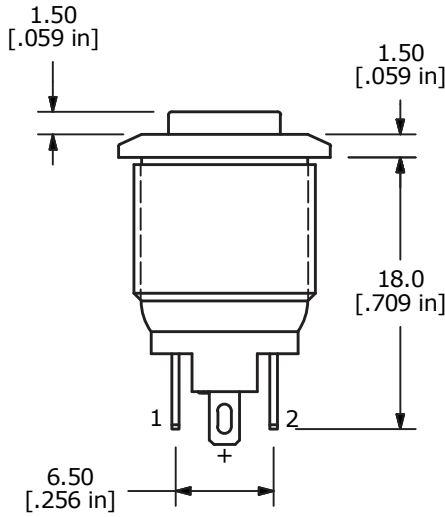
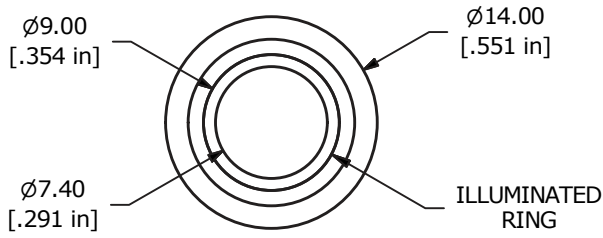
www.e-switch.com

800.867.2717

1

PV0 SERIES ANTI-VANDAL SWITCH

RING ILLUMINATION

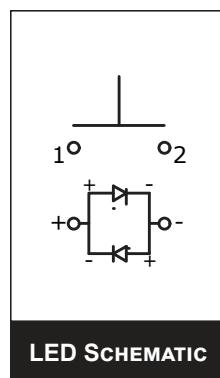
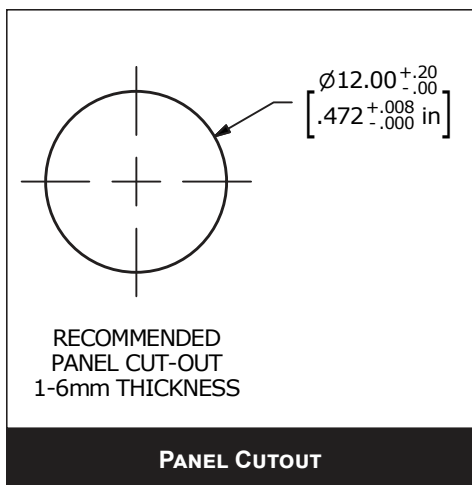
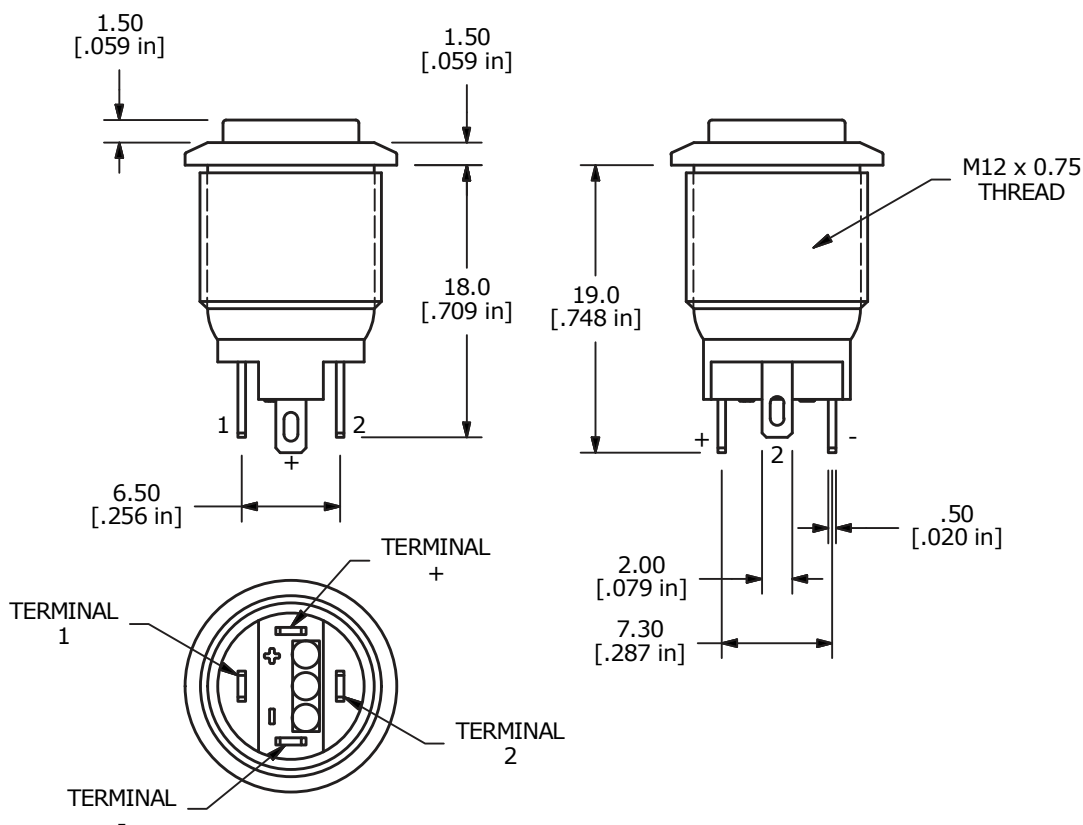
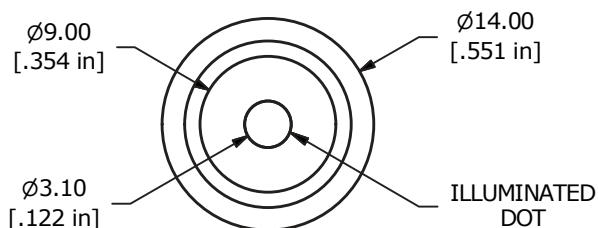


- ANTI-VANDAL SWITCHES
- DETECTOR SWITCHES
- DIP SWITCHES
- KEYLOCK SWITCHES
- NAVIGATION SWITCHES
- PUSHBUTTON SWITCHES
- ROCKER SWITCHES
- ROTARY SWITCHES
- SLIDE SWITCHES
- SNAP ACTION SWITCHES
- TACTILE SWITCHES
- TOGGLE SWITCHES
- CAP OPTIONS



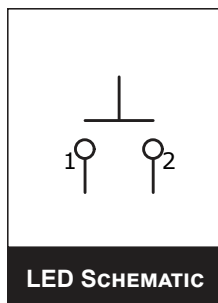
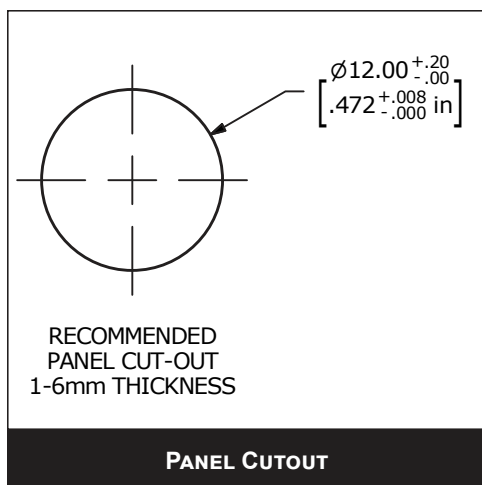
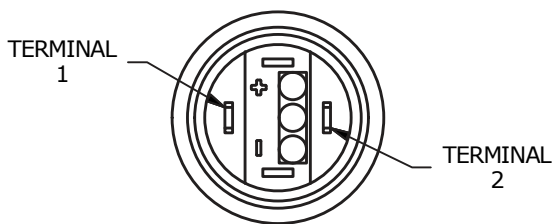
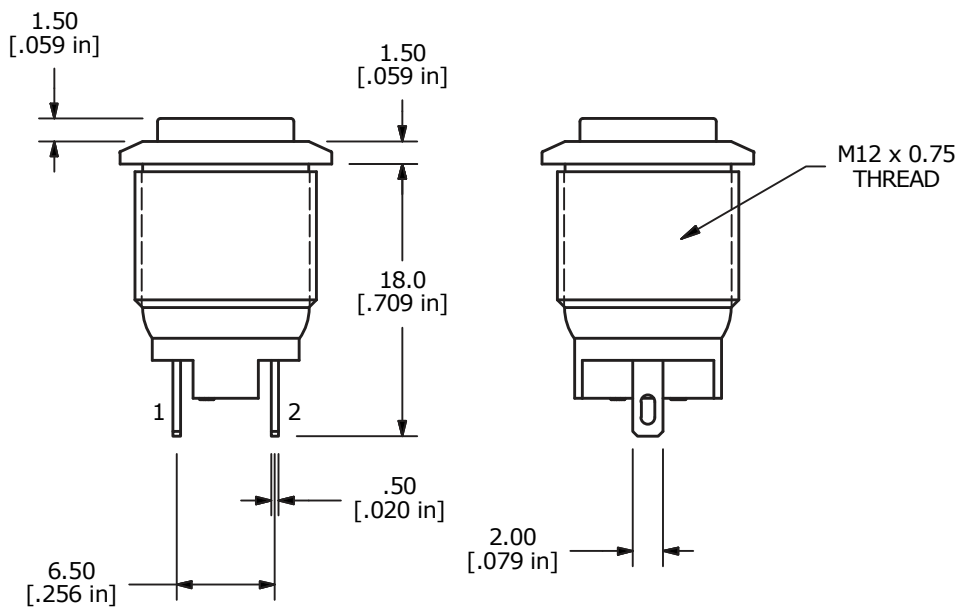
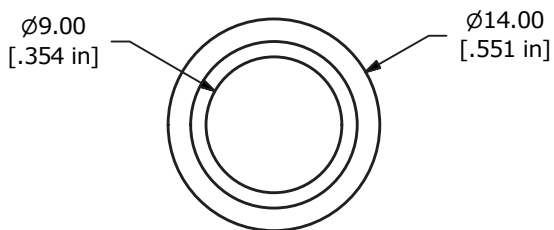
PV0 SERIES ANTI-VANDAL SWITCH

DOT ILLUMINATION



PV0 SERIES ANTI-VANDAL SWITCH

NON-ILLUMINATED



PV0 SERIES ANTI-VANDAL SWITCH

RGB ILLUMINATION

