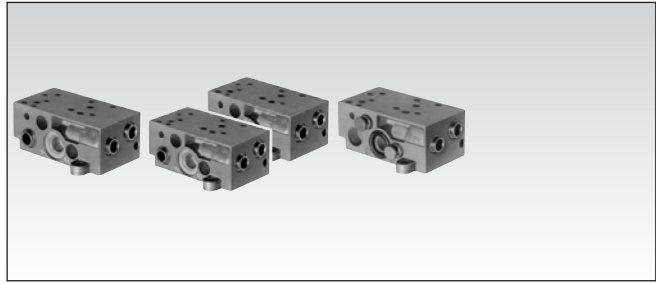


Sub-bases for miniature control valves



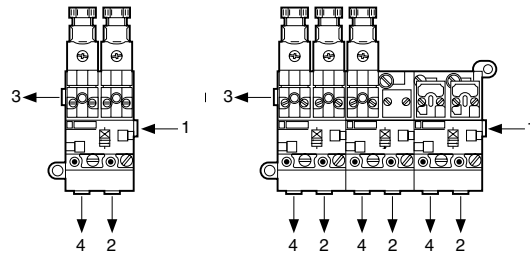
1

Part numbers

Mounting			Machine (individual) single	Machine (in bank) end bases (pair)	Machine (in bank) intermediate
Version			81 518 010	81 518 110	81 518 210
Connection	push-in for semi-rigid tubing	Ø 6 mm	81 518 020	81 518 120	81 518 220
	tapped	1/8 BSP			

Characteristics

Mounting			2 screws M4	2 screws M4	2 screws M4
Weight		g	222	444	235
Connections	Pneumatic				



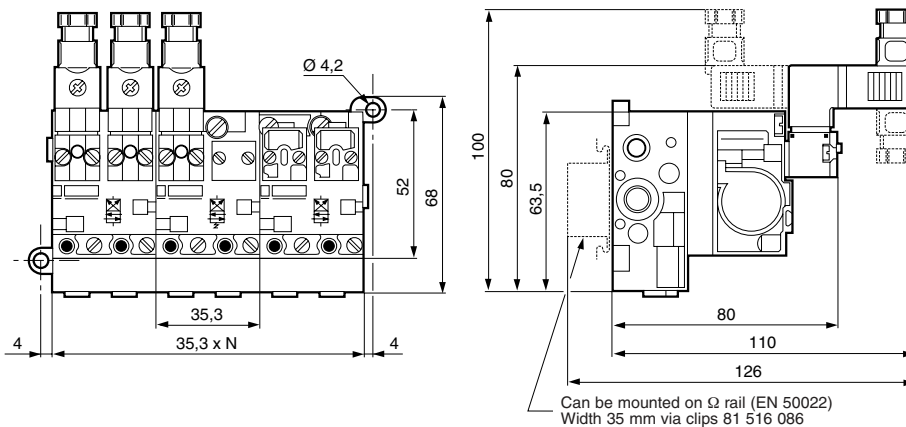
- | | | |
|---------------------------|---------------------------|---------------------------|
| 1 - Supply | 1 - Supply common | 2 - Output at rest (NO) |
| 2 - Output at rest (NO) | 2 - Output at rest (NO) | 3 - Common exhaust |
| 3 - Exhaust | 3 - Common exhaust | 4 - Output operating (NC) |
| 4 - Output operating (NC) | 4 - Output operating (NC) | |

Note:
can be used with 'diabolos'

For optimum flow, a maximum of 6 valves can be mounted on the manifold

Note:
1 set comprising:
1 supply sub-base
1 exhaust sub-base

Dimensions with miniature control valves 81 516 (page 5/8) + miniature solenoid valves (page 5/4) + connectors (5/11)



Other information	To order, specify :
	<p>Standard products</p> <p>1 Part number</p> <p>Example : Sub-base for miniature control valve - 81 518 010</p>
	<p>Standard products, non stocked</p>

Products and specifications subject to change without notice.
Consult factory for application assistance.

204 Airline Drive, Suite 300, Coppell, Texas 75019 / Tel: (888) 778-2733 / FAX: (888) 329-9773 / www.crouzet-usa.com