

55200 Absolute Position Rotational Sensor



Features:

- 360° Angular sensing range
- Absolute rotary position sensing
- Analog output
- Non-contact measuring
- Precision brass mounting inserts
- EMC protection

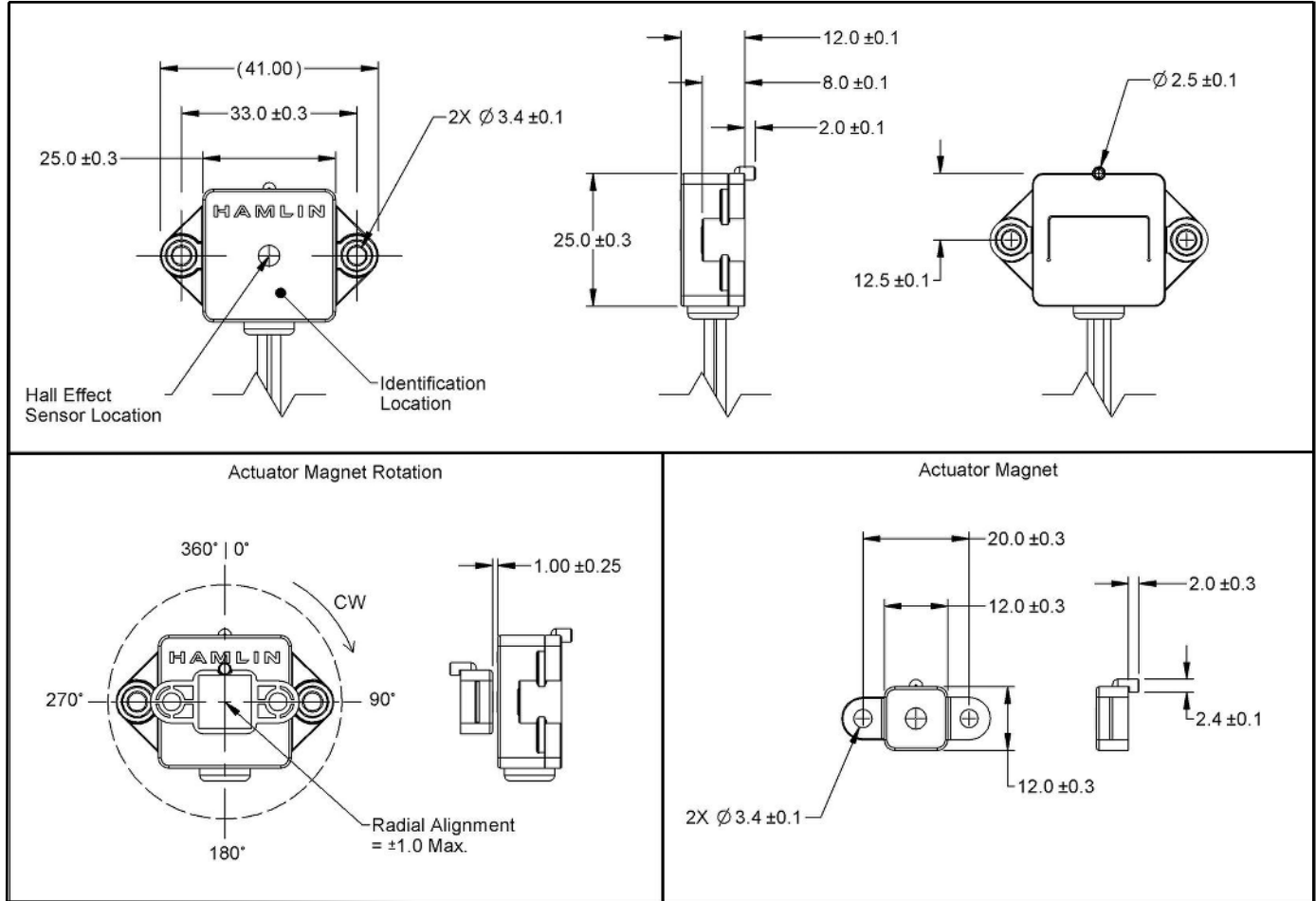
Benefits:

- Long life - no wear components
- High speed
- Unaffected by harsh environments
- Compact robust package

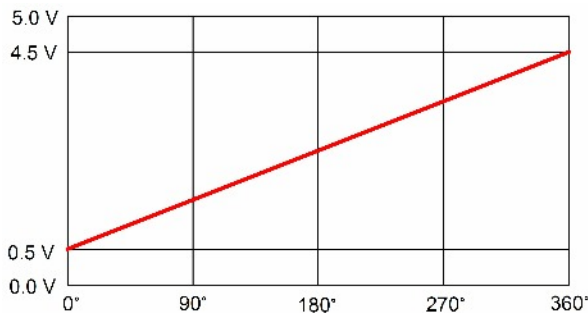
Applications:

- Absolute rotary encoding
- Pedal position
- Shaft position
- Lever position
- Float level sensing
- Non-contact potentiometer

DIMENSIONS mm



OUTPUT SIGNAL



CUSTOMIZATION OPTIONS

Customized versions available. Contact Hamlin for details.

- Angular sensing range
- Output type: Analog, DWM, or SPI
- Connectors and terminals
- Wire type and length
- Magnetic actuators

55200 Absolute Position Rotational Sensor

SPECIFICATIONS

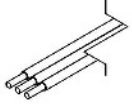
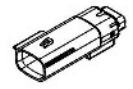
Hall Effect Device			Rotational, Analog Output
Operating Voltage	Recommended	Vdc	4.5 to 5.5
Over Voltage	Absolute Max (Note 1)	Vdc	20
Reverse Voltage	Absolute Max (Note 1)	Vdc	-10
Supply Current		mA-Max	16
Output Current		mA-Max	-8 to +8
Programmed Output Voltage Range		Vdc	0.5 to 4.5
Programmed Sensing Range		°	360
Resolution		°	0.11
Accuracy (Note 2)		°	±4
Response Time		ms-Max	4
Start-up Time		ms-Max	15
Temperature	Operating	°C	-40 to +90
	Storage	°C	-65 to +105
Actuator Positional Tolerances	Air Gap (Note 3)	mm	1.00 ±0.25
	Radial Alignment (Note 3)	mm	±1.0
Wire	Size	AWG	20
	Insulation	SAE	J-1128, Type TXL
	Length	mm	300

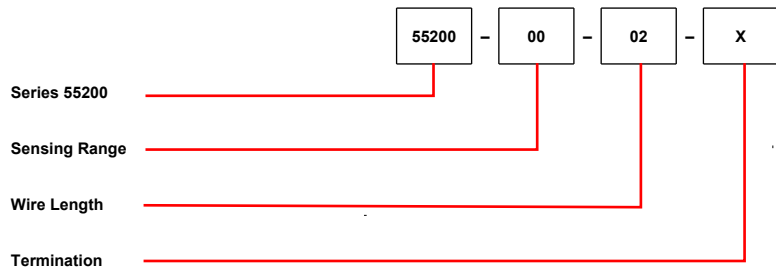
Note 1 - This is a stress rating only, functional operation is not implied.

Note 2 - When used in conjunction with the supplied 57200-000 actuator under typical conditions. Accuracy is affected by the sensor and actuator alignment, air gap and the presence of external magnetic fields or materials. Consult Hamlin for details.

Note 3 - When used in conjunction with the supplied 57200-000 actuator.

ORDERING INFORMATION

Termination Options																	
Select Option	Description			Select Option	Description												
A	Stripped Leads		Color Function Black Ground White Signal Red V(in)	C	Molex Connector MX 150 33481-0301												
					 <table border="0" style="margin-left: 10px;"> <tr> <td>Pin</td> <td>Color</td> <td>Function</td> </tr> <tr> <td>1</td> <td>Black</td> <td>Ground</td> </tr> <tr> <td>2</td> <td>White</td> <td>Signal</td> </tr> <tr> <td>3</td> <td>Red</td> <td>V(in)</td> </tr> </table>	Pin	Color	Function	1	Black	Ground	2	White	Signal	3	Red	V(in)
Pin	Color	Function															
1	Black	Ground															
2	White	Signal															
3	Red	V(in)															



Hamlin USA Tel: +1 920 648 3000 • Fax: 1 920 648 3001 • Email: sales.us@hamlin.com
Hamlin UK Tel: +44 (0) 1603 257700 • Fax: +44 (0) 1603 257702 • Email: sales.uk@hamlin.com
Hamlin GmbH Tel: +49 (0) 6142 923920 • Fax: +49 (0) 6142 923921 • Email: sales.de@hamlin.com
Hamlin China Tel: +86 (0) 512 69365 800 • Fax: +86 (0) 512 69365 811 • Email: sales.cn@hamlin.com

INFORMATION PROVIDED ON THIS DATA SHEET IS PROVIDED FOR INFORMATION PURPOSES ONLY AND SHOULD NOT BE RELIED UPON AS BEING ACCURATE FOR ANY PARTICULAR PURPOSE. Product performance may be affected by the application to which the product is applied. Upon request, HAMLIN will assist purchasers by providing information specific to any particular application. HAMLIN disclaims any and all liability whatsoever for any purchaser's reliance upon the information contained on this data sheet without further consultation with authorised representatives of HAMLIN.