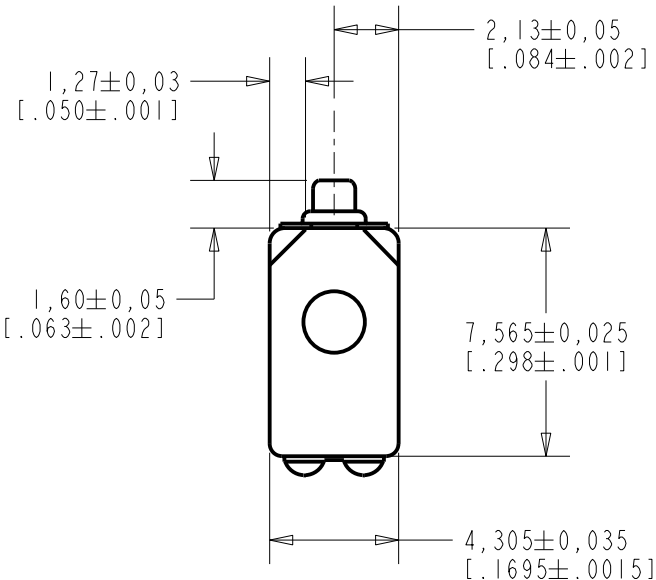
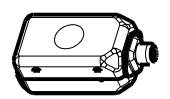
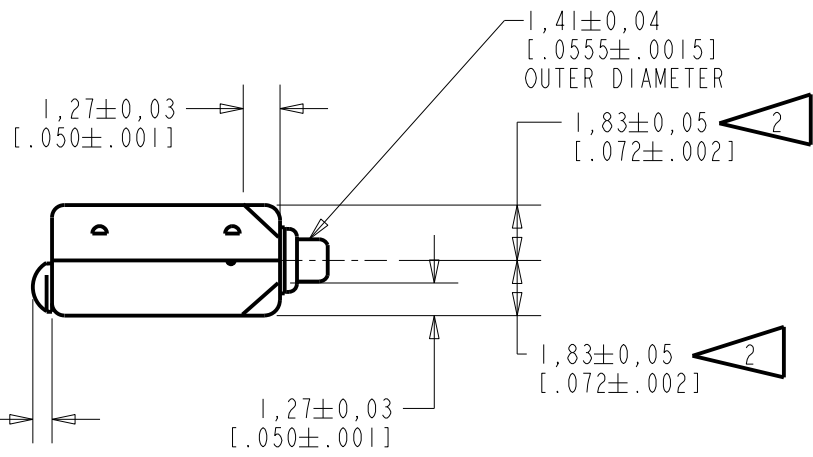
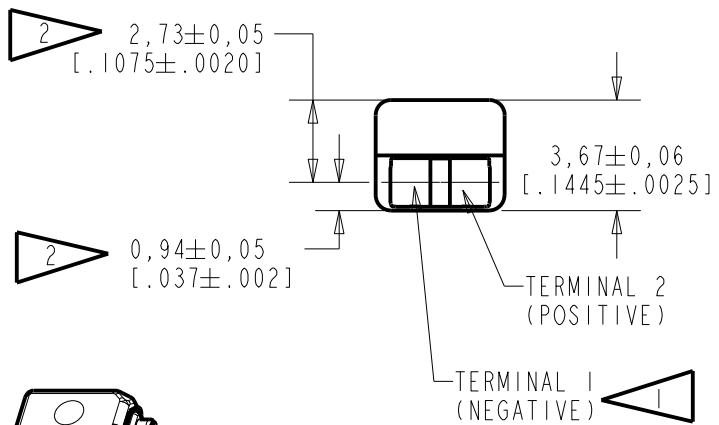


EC-27906-000
SHT 1.1



NOTE:

- ① A POSITIVE GOING VOLTAGE AT TERMINAL 2, RELATIVE TO TERMINAL 1, CAUSES A DECREASE IN PRESSURE AT THE SOUND OUTLET.
- ② LOCATED FROM TWO SURFACES FOR CUSTOMER CONVENIENCE. ONLY APPLICABLE FROM ONE SURFACE, NOT TO BE USED TOGETHER.

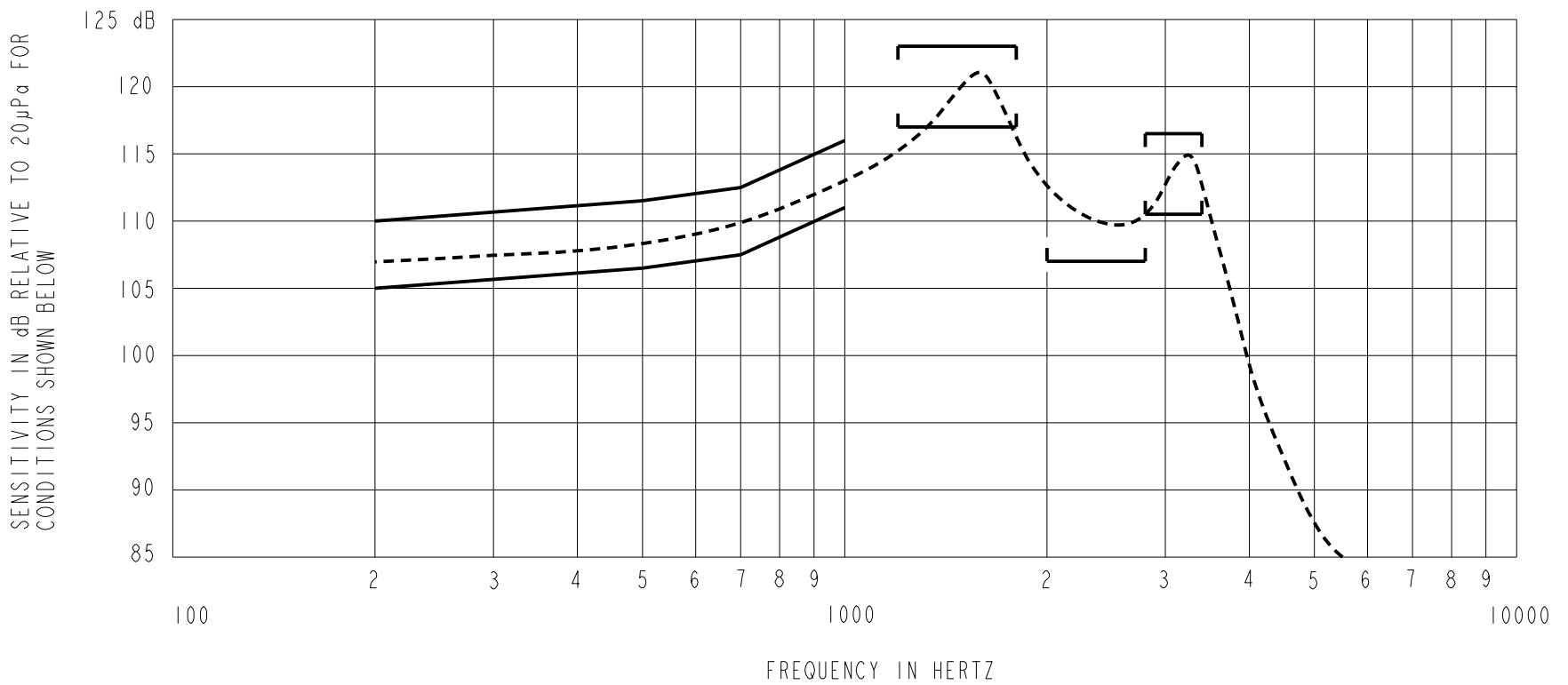


SCALE 2:1
NOMINAL WEIGHT .42 GRAMS
DIMENSIONS IN MILLIMETERS [INCHES]

Revision	C.O. #	Implementation Date	RELEASE LEVEL	REVISION
C	CI0115009	8-2-13	Active	C
B	CI0106330	9-3-07		
A	CI0103464	11-23-05		

SCALE: 4:1		DR. BY	DATE
DO NOT SCALE DRAWING		CRG	11-23-05
		CK. BY	DATE
TITLE: RECEIVER OUTLINE DRAWING		GJP	11-22-05
		EC-27906-000 SHT 1.1	
		GJP	11-22-05

KNOWLES ELECTRONICS
ITASCA, ILLINOIS U.S.A.



NOTES:

1. MEASUREMENTS MADE USING 10mm (.394") OF 1mm (.039") ID TUBE CONNECTED TO A SIMULATED ANSI S3.7 TYPE HA-3 COUPLER . (IEC 60318-5).

2. SENSITIVITY

FREQUENCY	MIN.	MAX.
200	105.0	110.0
500	106.5	111.5
700	107.5	112.5
1000	111.0	116.0
1200-1800	117.0	123.0
2000-2800	107.0	---
2800-3400	110.5	116.5

- 3. RESPONSE, IMPEDANCE, AND DISTORTION MEASUREMENTS MADE USING THE ELECTRICAL TEST CONDITIONS SHOWN BELOW.
- 4. ELECTRICAL SOURCE IMPEDANCE MUST BE GREATER THAN 20 TIMES 1KHz IMPEDANCE FOR TEST CONDITIONS SHOWN BELOW.
- 5. INDIVIDUAL SPECIFICATIONS:

PORT LOCATION	IMPEDANCE OHMS ±15%		DCR @20°C OHMS ±10%	DISTORTION		ELECTRICAL TEST CONDITIONS	
	1KHz	500Hz		MAX. %	FREQ Hz	AC mA RMS	DC mA
12S	575	305	190	10	800	1.09	0.00

Revision	C.O. #	Implementation Date	RELEASE LEVEL	REVISION
C	C10115009	8-2-13	Active	C
B	C10106330	9-3-07		
A	C10103464	11-23-05		

KNOWLES ELECTRONICS
ITASCA, ILLINOIS U.S.A.

WHEN TEST LIMITS ARE USED TO ESTABLISH INCOMING INSPECTION ACCEPTANCE/REJECTION CRITERIA, CORRELATION OF TEST EQUIPMENT WITH KNOWLES IS ALSO REQUIRED FOR ELIMINATION OF EQUIPMENT AND TEST METHOD VARIATION

TITLE: **RECEIVER** **EC-27906-000**
PERFORMANCE SPECIFICATION **SHT 2.1**

DR. BY	DATE
CRG	11-23-05
CK. BY	DATE
GJP	11-22-05
APP. BY	DATE
GJP	11-22-05