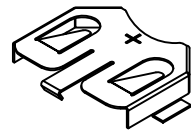
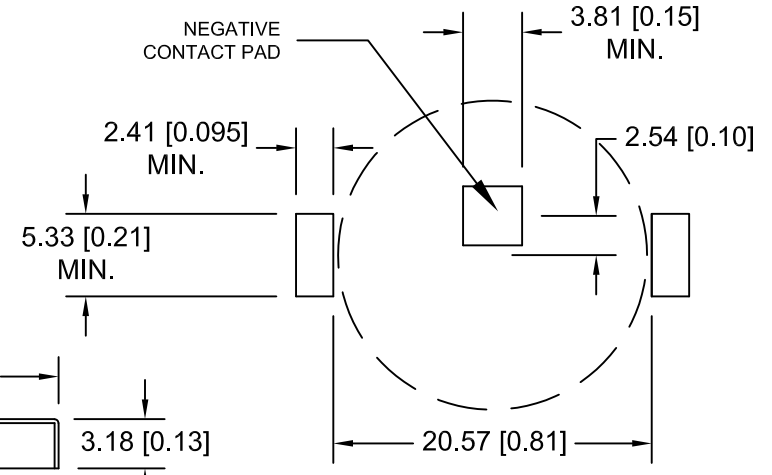
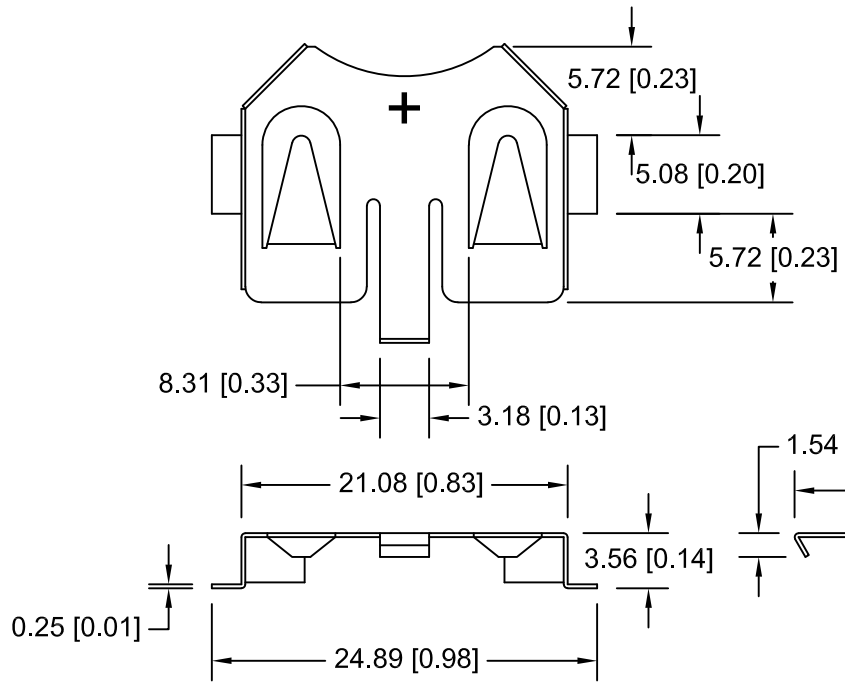


Date	SYM	REVISION RECORD	AUTH	DR.	CK.
04/15/21	A	Added vibration test info. and shock test info.	T.B.	B.S.	




ISO VIEW



PCB LAYOUT

NOTES:

- 1. MATERIAL:
0.25mm PHOSPHOR BRONZE, NICKEL PLATED OVERALL.
ROHS COMPLIANT
- * VIBRATION TEST: 10-50-10 HZ SWEEPED IN 60 SECONDS
X,Y,Z DIRECTION: 1 HOUR EACH DIRECTION
- * RESULT: NO DISLODGEEMENT OF THE CELL OR DAMAGE
NO DISCONTINUITY OVER 10 MICRO-SECONDS
- * SHOCK TEST: HALF SINE WAVE ACCELERATION 150G.
6 MILLISECONDS
3 SHOCK PULSES EACH DIRECTION PER
AXIS, TOTAL OF 18 PULSES
- * RESULT: NO EVIDENCE OF PHYSICAL DAMAGE

Tolerance (Except as noted)	 Memory Protection Devices, Inc 200 Broad Hollow Road, Farmingdale, New York 11735	Scale	Drawn By B.S.
		Approved By T.B.	
decimal ±.1 (.004)	Title CR2032 BATTERY RETAINER		
Fractional ± .2 (.008)	Date 04/15/21	Drawing Number BK-920	