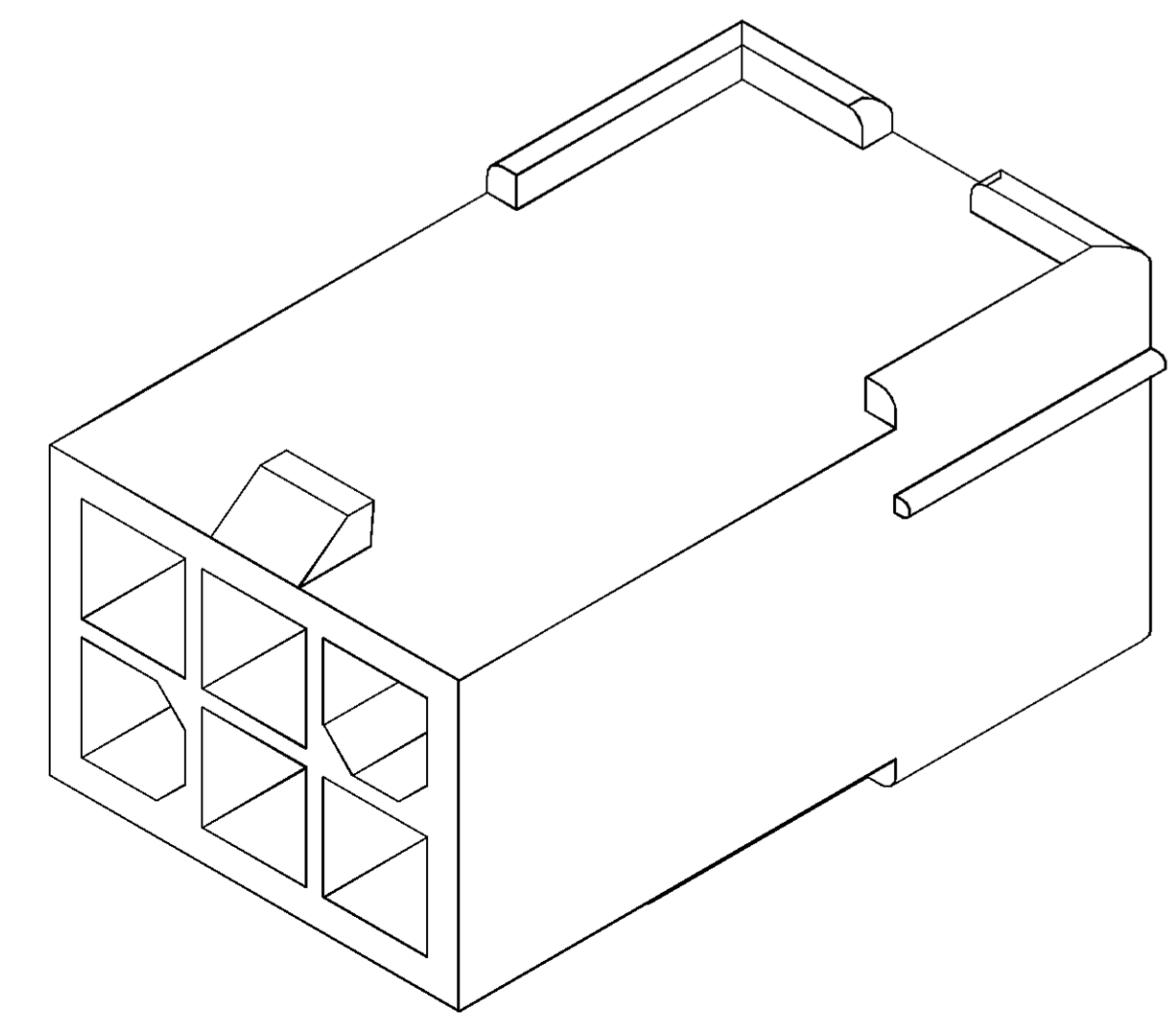
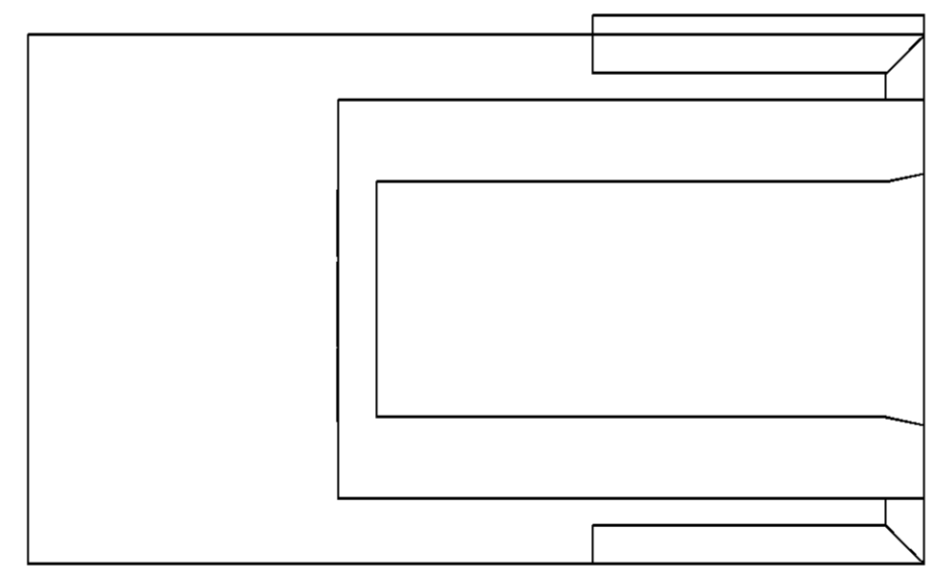
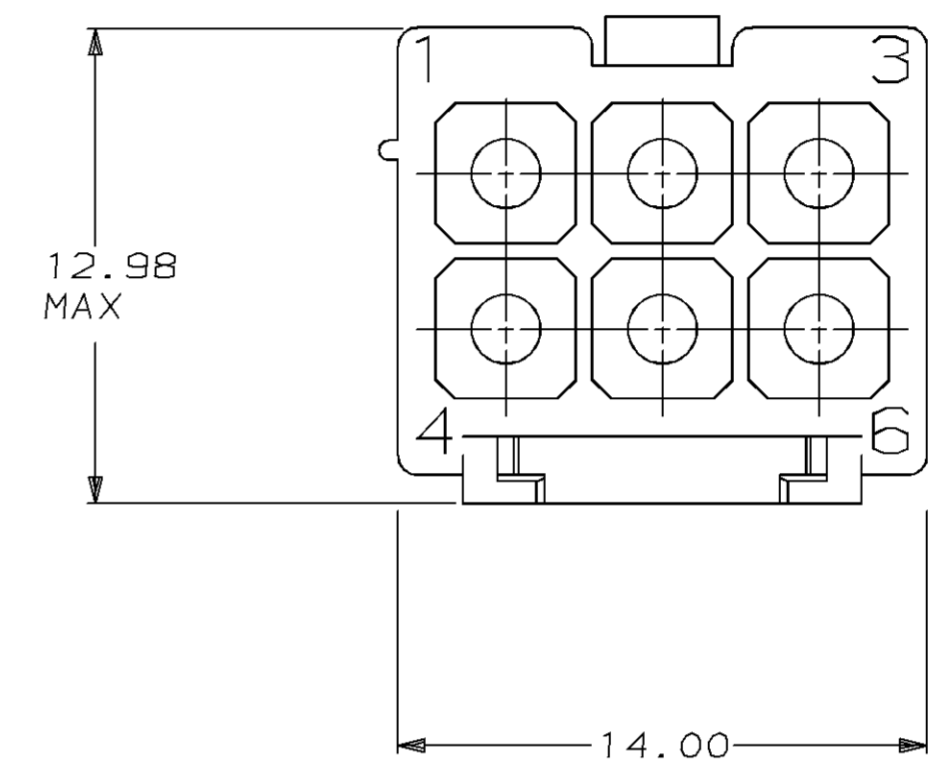
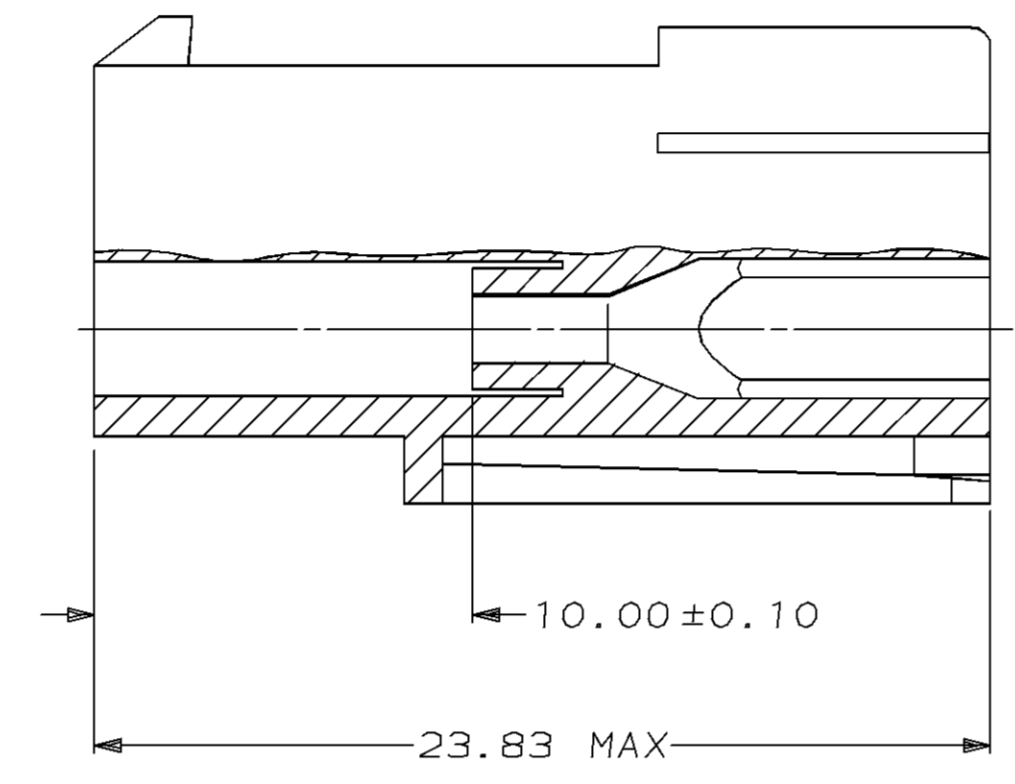
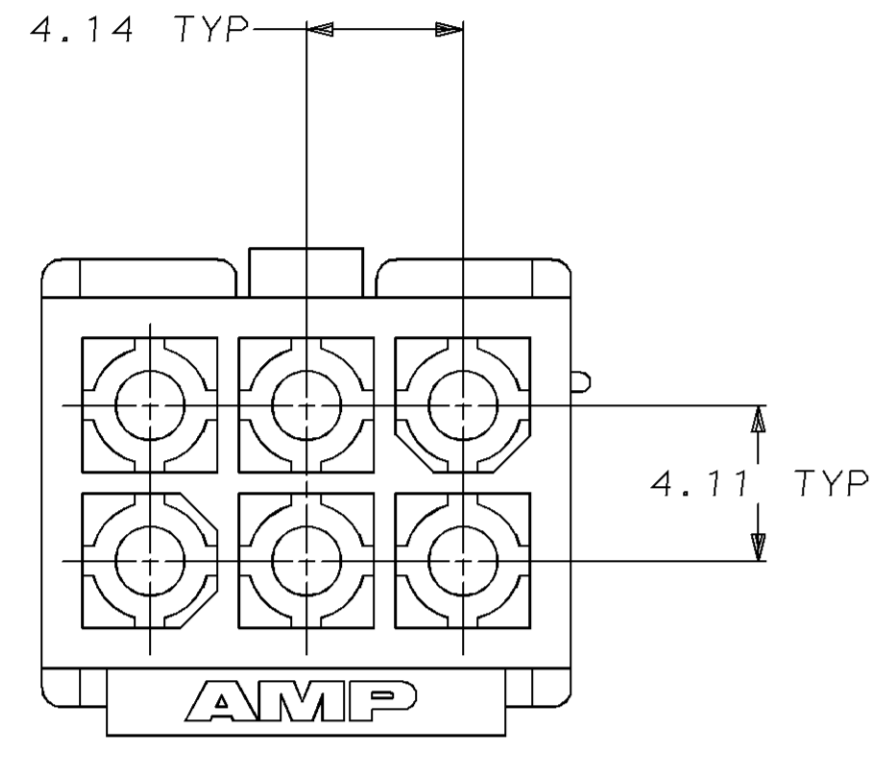


LOC		DIST		P		F		ZONE		LTR		REVISIONS		DATE	APPD	
CM	53												0	RLSD PER PR CM 94-119	10-13-94	KS



3-DIMENSIONAL MODEL
NTS

	MM	IN	MM	IN
4.14	.163	23.83	.938	
4.11	.162	14.00	.551	
0.13	.005	13.21	.520	
0.10	.004	10.00	.394	
	MM	IN	MM	IN

CONVERSION TABLE

METRIC

THIS DRAWING IS A CONTROLLED DOCUMENT FOR AMP INCORPORATED. IT IS SUBJECT TO CHANGE AND THE CONTROLLING ENGINEERING ORGANIZATION SHOULD BE CONTACTED FOR THE LATEST REVISION.

DO NOT SCALE PRINT. UNLESS SPECIFIED DIMENSIONS IN mm [INCHES] TOLERANCES ON:		DR 10-13-94 K. SALMON	794047-1 PART NO	
1 PLC DEC ± 0.13	2 PLC DEC ± -	CHK 10-13-94 R. SWING	AMP Incorporated Harrisburg, PA 17105-3608	
3 PLC DEC ± -	ANGLES ± -	APPD 10-13-94 R. ORSTAD	NAME CAP, 6 CIRCUIT, MINI UNIVERSAL MATE-N-LOK™	
MATERIAL NYLON, UL 94V-2 NATURAL	FINISH -	APPD 10-13-94 R. ORSTAD	PRODUCT SPEC -	
		APPLICATION SPEC -	SCALE 5:1	DRAWING NO C=794047
		WEIGHT -	SIZE D	CAGE CODE 00779
				SHEET 1 OF 1

CUSTOMER DRAWING