

- PQ2625 Core Package
- Through Hole Design
- Operating Temperature Range: -40°C to +85°C

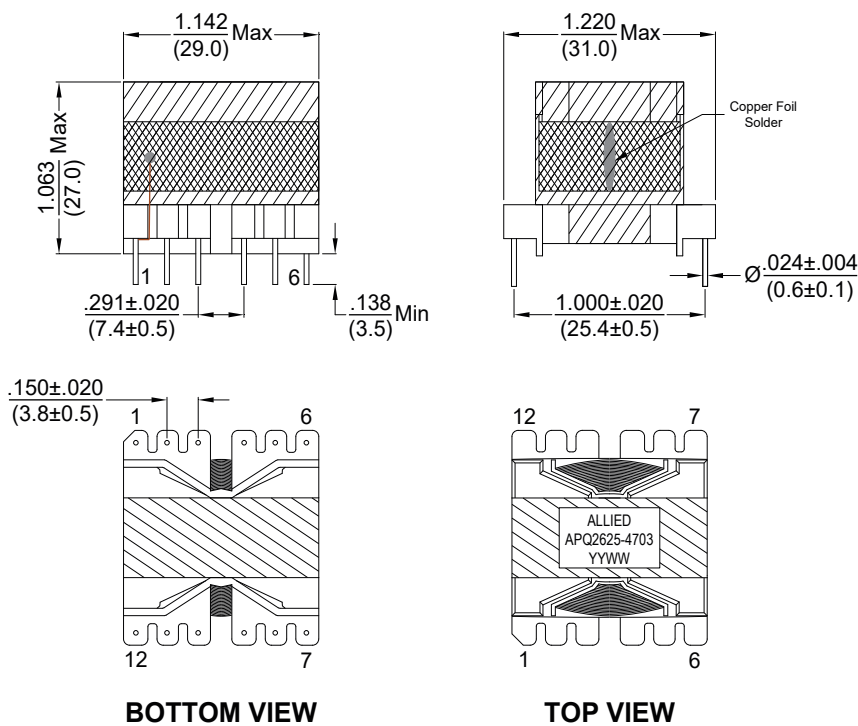
Electrical Specifications @25°C

Inductance @100KHz, 1.0V		DC Resistance (mΩ Max)	HiPot 50Hz / 60Hz 5mA / 2Sec	Insulation Resistance 100MΩ Min
L (9 - 10)	L7.0A (9 - 10)	(9 - 10)	Pri - Core	Pri - Core
160μH ±10%	≥L0 (9 -10)*85%	75.0	1800VAC	500VDC

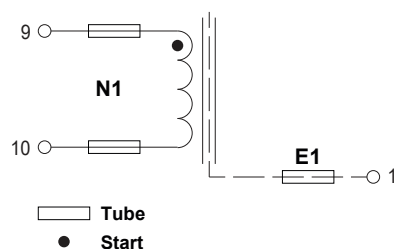
All specifications subject to change without notice

MECHANICAL

Dimensions: $\frac{\text{inch}}{\text{mm}}$



SCHEMATIC



WINDING CONSTRUCTION

