

PART NAME: KNOB

SCALE: 1:1

DATE: 5/20/94 DR. BY HD

THIS DRAWING IS THE PROPERTY OF DAVIES MOLDING COMPANY, IS SUBMITTED SOLELY AS A DESIGN OR ENGINEERING PROJECT. WE ACCEPT NO RESPONSIBILITY WHATSOEVER FOR THE PRACTICAL APPLICATION OF THE PIECES MADE TO THIS DESIGN.

DESIGNERS & MANUFACTURERS  
OF KNOBS, HANDLES, CASES &  
CUSTOM PLASTIC COMPONENTS

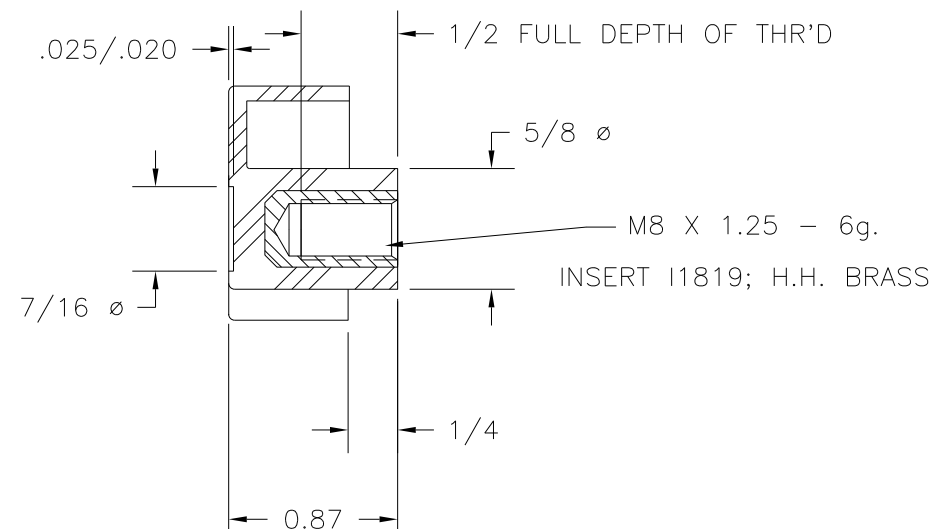
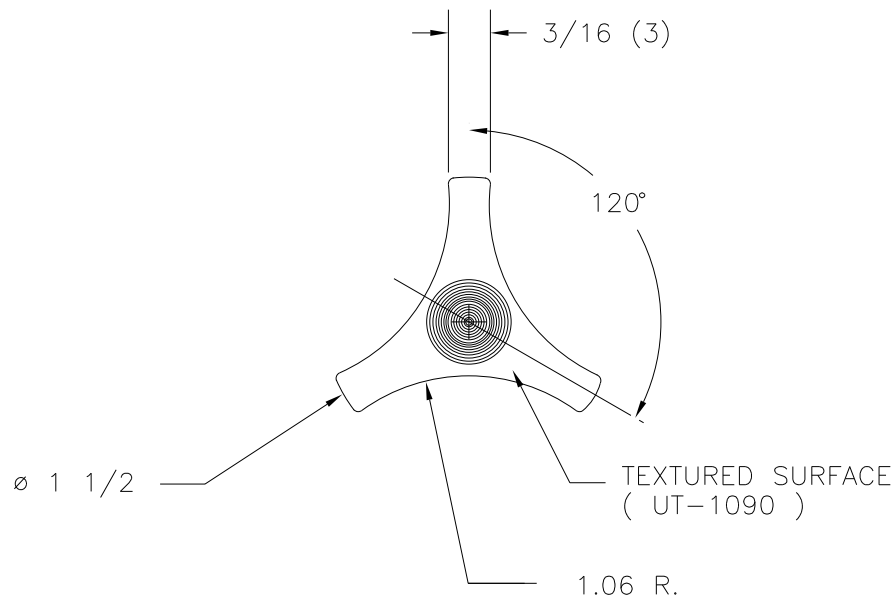
P/N 3036-S

M<sup>NO.</sup> 38

CAVITY	3036
CORE	3036
CAV.PPUG	3036
SLEEVE	2780
PIN	2780-2
SHIMS	.306+.241
INSERT	I1819

M <sup>NO.</sup>	38 #2
PLATE	0.548
SHIM	0.030

ⓑ

CUST. : TENNANT COMPANY.  
CUST'S P/N # 222470

Ⓐ

MATERIAL: 20% TALC-FILLED POLYPROPYLENE (BC9)  
COLOR: BLACK

TOLERANCES: UNLESS OTHERWISE SPECIFIED	DO NOT SCALE DRAWING				
DECIMALS: X.XXX ± .005 X.XX ± .015	MM: X.XX ± 0.15MM X.X ± 0.4MM	B	CORRECTED SHIM	TS	8/29/02
FRACTIONS ± 1/64	ANG. ± 1°	A	MATERIAL WAS P.P	ST	4/24/01
CHANGES					